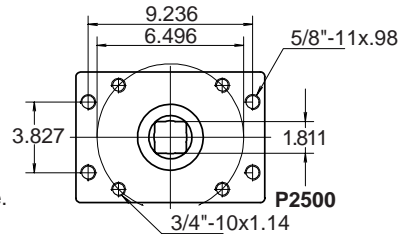
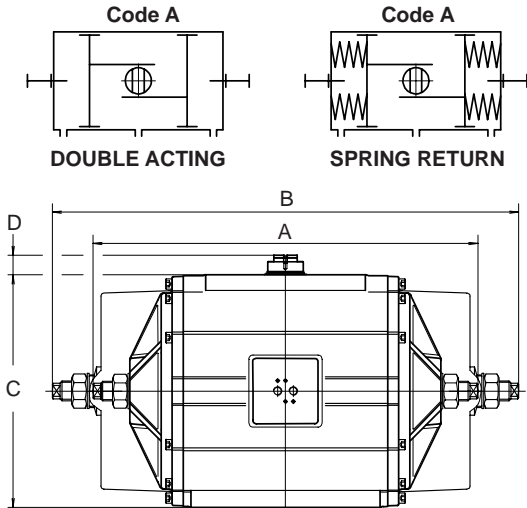
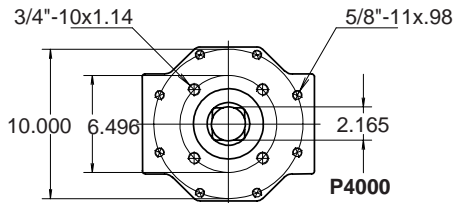


VALVE AUTOMATION SYSTEMS  
**ELE-O-MATIC**  
 www.eleomatic.com  
 All rights reserved  
 Nr.: A 1.501.01  
 Date: March '06



**Note:** Do not adjust under pressure.



Dim. in inch.	ACTUATOR TYPE	
	P2500	P4000
A	22.8	27.9
B	31.3	45.4
C	14.0	15.0
D	1.2	1.2

**Description:**

Actuators with one way adjustable limit stops are used where the maximum opening (or closing) position of the valve needs to be reduced. For instance to adjust the maximum capacity of a remote operated valve. Also actuators with 180° rotation are available with these stops.

**Operation:**

Stop screws are fitted to both endcaps and the screw length is such that adjustment is possible through the specified rotation of the actuator.

The modified endcap is machined for -0.5° to +93° rotation for all P-series models.

**Identification:**

"L1" is added to the basic part number i.e. PD2500-L1

**Specification:**

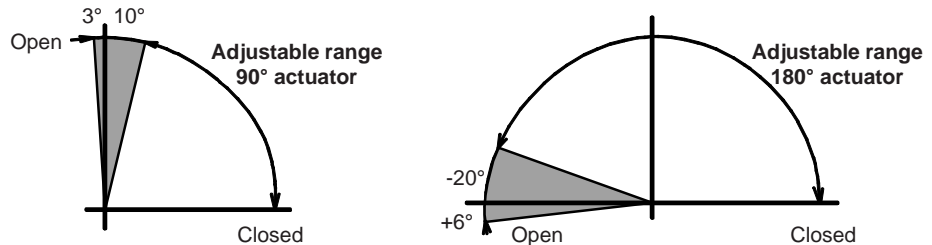
- Pressure : Up to 120 PSI
- Media : Air, dry or lubricated or non-corrosive gas
- Torque (90°) : Data sheet A 1.104.01 - A 1.104.04
- (180°) : Data sheet P-serie A 1.204.01 and A 1.204.02
- Other dimensions : Data sheet A 1.103.XXX (90°)
- : Data sheet A 1.203.011 (180°)
- Temperature : -4.0° to +176°F
- Adjustable range : 80°-93°(90°) or 160°-186° (180°)

**Adjustable position** (see data sheet A 1.503 or A 1.504):

code	position
A	Valve open (spring to close)
B	Valve open (spring to close)
C	Valve closed (spring to open)
D	Valve closed (spring to open)

**Note:**

- 1) Can be provided with extra long screws for full range adjustment (identification: PD2500-LF)
- 2) This option in combination of a manual override gearbox is redundant



ELE-O-MATIC ACTUATOR WITH ONE WAY LIMIT STOPS

L1/LF