

Fisher™ Type P539A Actuator for Type N551 Emergency Shutoff Valves



The Choice for Your Snappy Joe™

Type P539A Pneumatic Actuator*

Provides the control needed for your Fisher Type N550/N551 Snappy Joe Emergency Shutoff Valve. Designed to prevent over-stroking of the valve while delivering full valve capacity, the Type P539A is the only design proven to meet Fisher specifications for valve performance and reliability. Use of alternate manufacturers actuator design may cause damage to the valve and void the valve warranty. Easy Installation. Durable Construction. Reliable Performance. Why take a chance with someone else's actuator on your Fisher Valve?

*Valve shown not included

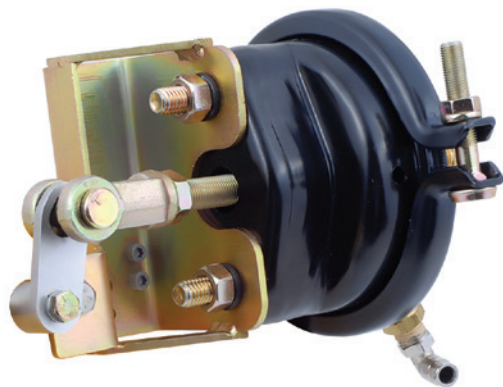
Superior Service and Support

With the most complete line of LPG Equipment in the industry, Fisher's worldwide distribution network includes an experienced sales and support team consisting of more than 2,000 technical experts available to serve you from nearly 200 offices throughout the world. For product integrity, reliability, safety and performance — and a level of support no other supplier can equal — call on Fisher to help you meet even your toughest challenges.

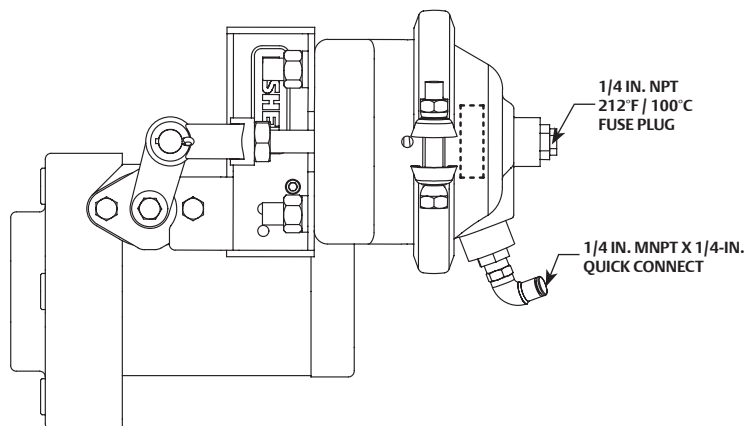
FISHER™

www.fisher.com


EMERSON™
Process Management



Type P539A



Specifications:

- Pressure Source:** Air, Nitrogen
- Minimum System Pressure:** 20 psig / 1.38 bar
- Maximum Working Pressure:** 30 psig / 2.07 bar
- Recommended Pressure Limits:**
20 to 25 psig / 1.38 to 1.73 bar
- Temperature Limits:** -40 to 150°F / -40 to 66°C
- Return Mechanism:** Internal Spring, No Air
- Thermal Release:** 1/4 in. NPT in Actuator Housing
- Thermal Release Melt Point:** 212°F / 100°C

Features:

- Designed and Calibrated for Fisher™ Valves to deliver full capacity with no valve over-stroke to promote increased Type N550/N551 service life
- Plated Steel Bracket Construction
- Corrosion Resistant, Automotive Grade Hardware
- 212°F / 100°C Thermal Fuse Element
- 1/4 in. / 6.35 mm Air Supply Line Quick Connect Fitting
- Easy Installation, Retrofit of Type P327C

LPG Equipment and Accessories

LPG Equipment

**Emerson Process Management
Regulator Technologies, Inc.**

America - Worldwide Headquarters

3200 Emerson Way
McKinney, Texas 75070 USA
Tel: +1 800 558 5853
Outside U.S. +1 972 548 3574

Asia-Pacific

Singapore 128461, Singapore
Tel: +65 6770 8337

Europe

Bologna 40013, Italy
Tel: +39 051 419 0611

For further information, visit www.fisher.com

D450217T012 © 2008, 2016 Emerson Process Management Regulator Technologies, Inc. All rights reserved. Printed in the U.S.A. 06/16.
Fisher, Emerson Process Management, and the Emerson Process Management design are marks of one of the Emerson Process Management group of companies. All other marks are the property of their respective owners.

FISHER™



EMERSON™
Process Management