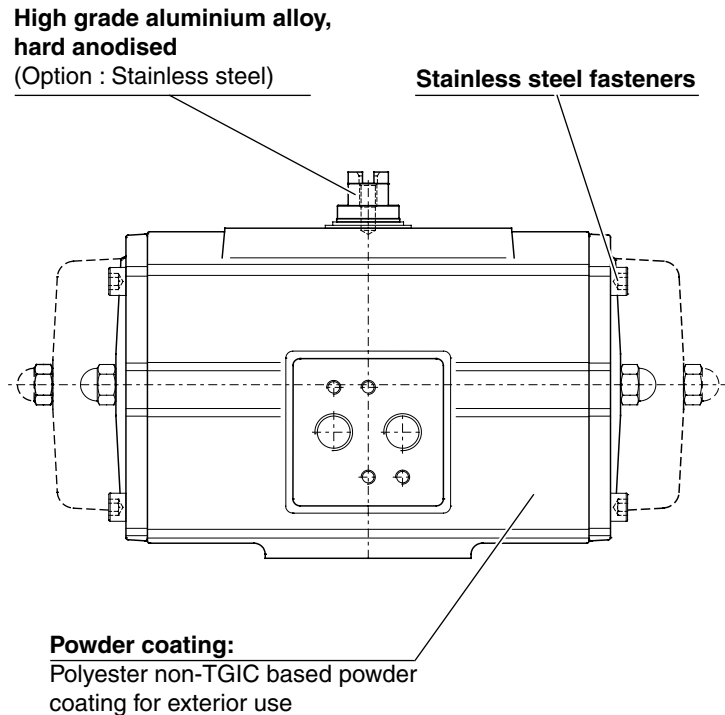


## Data sheet

Sheet No.: 4.204.01 Rev. B

Date: April 2011

# EL-O-MATIC STANDARD CORROSION PROTECTION SYSTEM



### Description

The corrosion protection system of standard EL-O-Matic E&P series pneumatic actuators consist of the following treatments or materials:

#### 1 Pre-treatment

All aluminium parts get a chromate treatment prior to painting. This chromate pre-treatment takes care of a perfect bonding of the paint layer to the aluminium housing and gives additional corrosion protection to the bore of the housing.

#### 2 Powder coating

- Polyester non-TGIC based powder coating for exterior use.
  - The powder coating is applied cold using automatic electrostatic spray equipment and is cured at minimum 190°C (374°F) offering excellent anti color fade and weather resistance.
  - The powder coating thickness is 80µm (3.15 mils) minimum, and 160µm (6.3 mils) maximum.
  - Good resistance against most chemical bases, acids, solvents, alkalis and oils at normal temperatures.
  - Excellent exterior mechanical durability.
  - The coating has passed a salt spray test according to ASTM B117 for 500 hours.
- The powder coating is virtually solvent free, and therefore environmentally friendly.

#### 3 High grade & hard anodised aluminium pinion

Actuators with high grade & hard anodised aluminium pinions, passed a 500 hours salt spray test. Optional stainless steel pinions are available for a higher corrosion resistance.

#### 4 Stainless steel or Deltatone treated external steel parts

External parts are stainless steel or steel alloy with a Deltatone® treatment.

### Technical data

Coating	: Polyester non-TGIC based powder coating
Salt spray test	: DIN 50021 / ASTM B117: 500 hours
Color	: Yellow (RAL 1007)
Materials	: Housing : Aluminium alloy
	: Pinion : High grade aluminium alloy, hard anodised (Option : Stainless steel)
	: Fasteners : Stainless steel or alloy steel with Deltatone® treatment
	: Tagplate : Stainless steel
Application	: Standard EL-O-MATIC E & P series pneumatic actuators For Non-Standard actuators, see data sheet 4.204.05
Option	: CSR coating for excellent corrosion resistance See data sheet 4.204.02

**EL-O-MATIC™**

www.El-O-matic.com

Copyright © Emerson Process Management. The information in this document is subject to change without notice.

Updated data sheets can be obtained from our website [www.El-O-Matic.com](http://www.El-O-Matic.com) or from your nearest Valve Automation Center **USA:** +1 813 319 0266 **Europe:** +31 74 256 10 10 **Asia-Pacific:** +65 6501 4600



**EMERSON™**  
Process Management