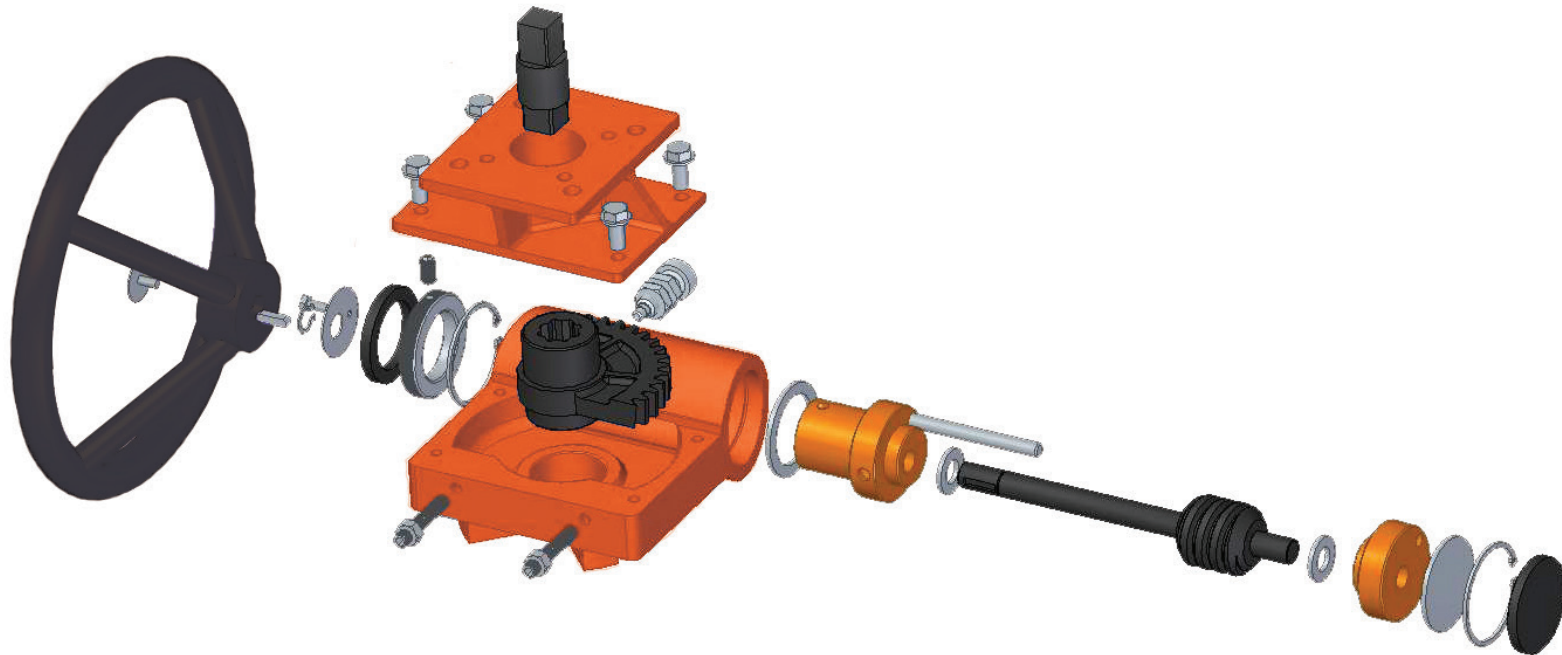


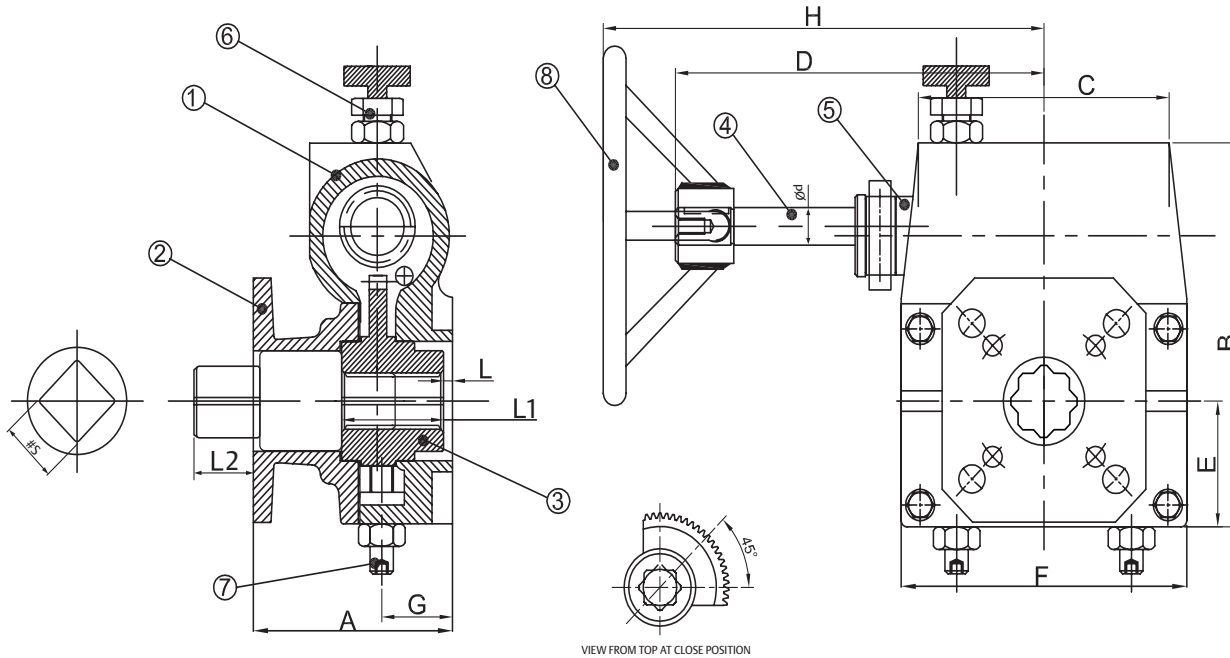
# Bettis AMO Series

## De-clutchable Quarter-turn Manual Overrides for Pneumatic Actuation



# Performance Specifications Bettis AMO Series

## De-clutchable Quarter-turn Manual Overrides for Pneumatic Actuation



### Specification:

Enclosure: Weatherproof IP54  
 Lubrication: Grease filled  
 Outer Surface: Bettis Orange Powder Coating (RAL 2009)  
 Handwheel: Fabricated (Black Powder Coated)

SR.	Job Description	Material	US Standard	IS Standard
1.	G.B. Housing	Aluminum (Lm4)	-	Lm4
2.	G.B. Top Cover	Aluminum (Lm4)	-	Lm4
3.	Worm Wheel	Ductile Iron	ASTM A536 70-50-05	SG IRON 500/7
4.	Worm Shaft	Carbon Steel	A 576 1045	45C8
5.	ECC Bush	Aluminum (Lm4)	-	Lm4
6.	Selector Assly	Carbon Steel	A 576 1045	45C8
7.	Hardware	Stainless Steel	SS304	SS304
8.	Handwheel	Carbon Steel	ASTM A53	IS 2062 Gr B

Model	Output Torque (Nm) ±10%	Mech. Advan. ±10%	Ratio	Turns To Close	ISO 5211 Mounting (Valve Side)	ISO 5211 Mounting (Actuator Side)	Drive Bore (Square)	#S	L2	Ød	Hand wheel	A	B	C	D	E	F	G	L	L1	H	R&P Size / Model
AMO 0.5	200	8	38:1	9.5	F05/F07	F05/F07	14	14	19	12	175	68	121	86	127	40	98	24	3	35	168	25*, 40, 65
AMO 1	650	9	38:1	9.5	F07/F10	F07/F10	19	19	19	14	250	87	171	124	165	54	149	30	3	54	230	100, 150, 200
AMO 2	1500	16	76:1	19	F10/F14	F10/F14	27	27	27	16	400	116	248	182	225	73	272	40	3.5	91	325	350, 600, 950*
AMO 3	3500	22	87:1	21.75	F16/F25	F16/F25	46	46	46	25	600	174	405	220	298	131	400	54	2	124	398	1600, 2500
AMO 0.5-LT1	200	8	38:1	9.5	F05/F07	F05/F07	14	14	19	12	175	68	121	86	127	40	98	24	3	35	168	25*, 40, 65
AMO 1-LT1	650	9	38:1	9.5	F07/F10	F07/F10	19	19	19	14	250	87	171	124	165	54	149	30	3	54	230	100, 150, 200
AMO 2-LT1	1500	16	76:1	19	F10/F14	F10/F14	27	27	27	16	400	116	248	182	225	73	272	40	3.5	91	325	350, 600, 950*
AMO 3-LT1	3500	22	87:1	21.75	F16/F25	F16/F25	46	46	46	25	600	174	405	220	298	131	400	54	2	124	398	1600, 2500

### NOTES:

1. R&P models marked with an asterisk (25 and 950) require additional square adaptor for direct mounting
2. AMO-LT1 for Low Temp. Application (with low temp grease & low temp seals)
3. Depressurized R&P actuator prior to manual override operation

**World Area Configuration Centers (WACC) offer sales support, service, inventory and commissioning to our global customers.  
Choose the WACC or sales office nearest you:**

***NORTH & SOUTH AMERICA***

19200 Northwest Freeway  
Houston, TX 77065  
T +1 281 477 4100  
F +1 281 477 2809

Av. Hollingsworth,  
325, Iporanga Sorocaba,  
SP 18087-105  
Brazil  
T +55 15 3238 3788  
F +55 15 3228 3300

***ASIA PACIFIC***

No. 9 Gul Road  
#01-02 Singapore 629361  
T +65 6501 4600  
F +65 6268 0028

No.1 Lai Yuan Road  
Wuqing Development Area  
Tianjin 301700  
P.R.China  
T +86 22 8212 3300  
F +86 22 8212 3308

***MIDDLE EAST & AFRICA***

P. O. Box 17033  
Dubai  
United Arab Emirates  
T +971 4 811 8100  
F +971 4 886 5465

P. O. Box 10305  
Jubail 31961  
Saudi Arabia  
T +966 3 340 8650  
F +966 3 340 8790

24 Angus Crescent  
Longmeadow Business Estate  
East P.O. Box 6908; Greenstone;  
1616 Modderfontein, Extension 5  
South Africa  
T +27 11 451 3700  
F +27 11 451 3800

***EUROPE***

Berenyi u. 72- 100  
Videoton Industry Park,  
Building #230  
Székesfehérvár 8000  
Hungary  
T +36 22 530 950  
F +36 22 543 700

For complete list of sales and manufacturing sites, please visit  
[www.emerson.com/actuationtechnologieslocations](http://www.emerson.com/actuationtechnologieslocations)  
Or contact us at [gears@emerson.com](mailto:gears@emerson.com)

[www.emerson.com/bettis](http://www.emerson.com/bettis)

©2017 Emerson. All rights reserved.

The Emerson logo is a trademark and service mark of Emerson Electric Co. Bettis is a mark of one of the Emerson family of companies. All other marks are property of their respective owners.

The contents of this publication are presented for information purposes only, and while every effort has been made to ensure their accuracy, they are not to be construed as warranties or guarantees, express or implied, regarding the products or services described herein or their use or applicability. All sales are governed by our terms and conditions, which are available on request. We reserve the right to modify or improve the designs or specifications of our products at any time without notice.

**BETTIS™**

  
**EMERSON™**