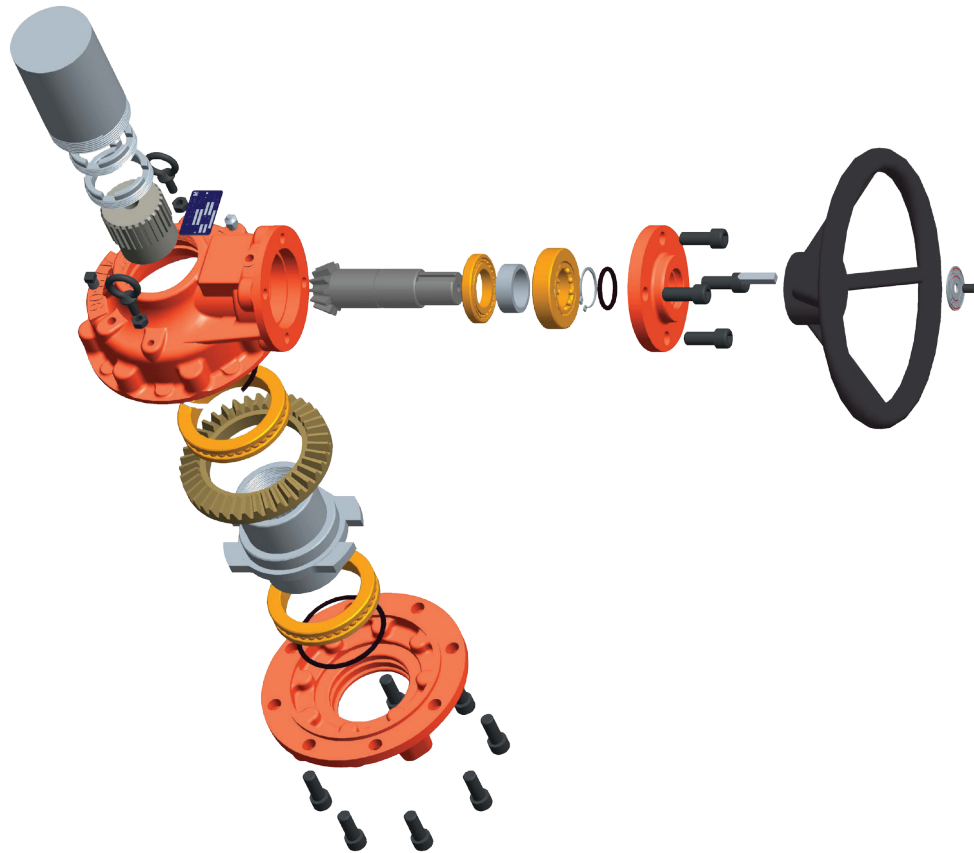


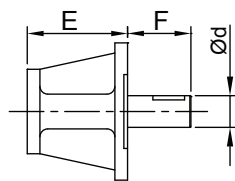
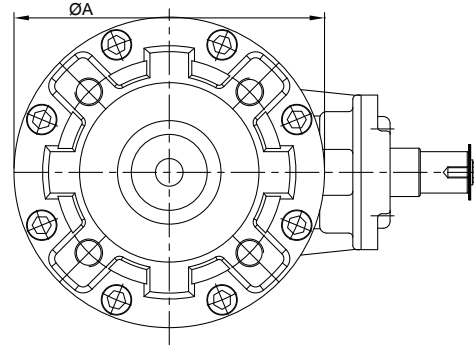
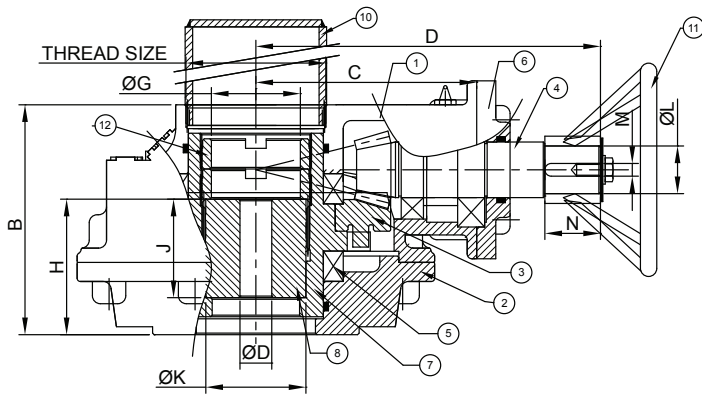
# Bettis ATB-Series (A-Type, Standard Thrust)

Multi-turn Bevel Gear Operators for Manual Operation and Electrical Actuation



# Performance Specifications ATB-Series (A-Type, Standard Thrust)

Multi-turn Bevel Gear Operators for Manual Operation and Electrical Actuation



Standard Electrical Actuation Flange For All Models

Actuator Mounting ISO 5211	Ød
F10	0.98
F14	1.18
F16	1.38

Flange Drill as per ISO 5211 Keyway as per IS 2048

SR.	Description	Material	US Standard	IS Standard
1	Housing	Ductile Iron	ASTM A536 65-45-12	SGI 400/12
2	Base Plate	Ductile Iron	ASTM A536 65-45-12	SGI 400/12
3	Bevel Gear	Carbon Steel	ATSM A322 4140	40CrMo3
4	Bevel Pinion	Carbon Steel	ATSM A322 4140	40CrMo3
5	Thrust Bearing	Special Steel	Ball Thrust Bearing	
6	Flange Cap	Ductile Iron	ASTM A536 65-45-12	SGI 400/12
7	Adaptor Sleeve	Ductile Iron	ASTM A536 70-50-05	SGI 500/7
8	Adaptor	Bronze	B148 C95800	-
9	Hardware	Carbon Steel	-	10.9 Gr or Equivalent
10	Stem Protector	Carbon Steel	ASTM A53	IS 2062 Gr B
11	Handwheel (Pipe)	Carbon Steel	ASTM A53	IS 2062 Gr B
12	Lock Nut	Carbon Steel	ASTM A576 1045	45C8

Model	Ratio	Rated Output Torque (lb-in)	Mech. Adv.	Input Torque (lb-in)	Valve Mtg. Flange ISO 5211	Opt. Valve Mtg. Flange ISO 5211	Max. Stem Dia. (ØD)	Max. Thrust (lbf)	A	B	C	D	E	F	ØG	H	J	ØK	ØL	M	N	Recom. Hand-wheel	App. Wgt. (lbs)	Thread Size
ATB-01	1:1	1327.61	0.9	1469.22	F07/F10	-	Ø0.98	12364.49	5.31	4.13	3.46	6.77	2.60	2.28	Ø1.06	1.93	1.57	Ø1.30	Ø0.98	0.31	1.38	Ø11.81	22.05	1 3/4"X11TPI BSP
ATB-02	2.5:1	2212.69	2.25	982.43	F10/F12	-	Ø1.18	17984.72	5.91	4.33	3.94	7.28	2.60	2.28	Ø1.26	2.38	1.69	Ø1.48	Ø0.98	0.31	1.38	Ø11.81	26.46	2"X11TPI BSP
ATB-03	3:1	3540.30	2.7	1309.91	F10/F12	F14	Ø1.57	26977.07	6.65	4.45	4.33	7.91	2.60	2.28	Ø1.65	2.54	1.89	Ø1.79	Ø1.18	0.31	1.38	Ø15.75	28.66	2"X11TPI BSP
ATB-06	3.25:1	5310.45	2.92	1814.40	F12/F14	F16	Ø1.97	35969.43	7.60	4.80	4.25	7.36	2.60	2.28	Ø1.85	2.85	2.20	Ø2.09	Ø1.18	0.31	1.38	Ø19.69	33.07	2.5"X11TPI BSP
ATB-11	4:1	9735.82	3.6	2699.48	F14/F16	-	Ø2.17	44961.79	8.98	5.71	5.55	8.54	2.60	2.28	Ø2.20	3.37	2.44	Ø2.48	Ø1.18	0.31	1.38	Ø23.62	52.91	3"X11TPI BSP
ATB-16	4.5:1	14161.19	4.05	3496.04	F16/F20	F25	Ø2.68	65194.59	10.83	6.61	6.54	10.00	2.60	2.28	Ø2.95	4.19	3.05	Ø3.44	Ø1.18	0.31	1.38	Ø23.62	74.96	3.5"X11TPI BSP
ATB-23	5:1	22126.86	4.5	4921.01	F20/F25	F30	Ø3.23	78683.13	13.19	6.85	7.60	11.06	2.60	2.28	Ø3.35	4.31	3.29	Ø3.68	Ø1.18	0.31	1.38	Ø23.62	110.23	4"X11TPI BSP
ATB-38	5.5:1	33632.83	4.95	6797.37	F25/F30	F35	Ø3.74	89923.58	14.80	7.95	8.66	12.72	2.60	2.28	Ø3.54	5.33	3.94	Ø3.98	Ø1.50	0.39	1.38	Ø23.62	185.19	5"X11TPI BSP
ATB-55	6:1	48679.10	5.4	9010.06	F30/F35	F40	Ø4.13	101164.02	17.01	9.25	9.69	13.86	2.76	2.36	Ø4.37	6.04	4.13	Ø4.92	Ø1.50	0.39	1.38	Ø29.53	341.72	5"X11TPI BSP
ATB-85	6.5:1	75231.34	5.85	12851.28	F35/F40	-	Ø4.92	119148.74	19.29	10.20	10.51	14.65	2.76	2.36	Ø4.96	6.52	4.33	Ø5.55	Ø1.50	0.39	1.38	Ø29.53	407.85	6"X11TPI BSP
ATB-130	7:1	115059.69	6.3	18259.09	F35/F40	-	Ø5.71	157366.26	23.23	11.42	13.39	18.43	2.76	2.36	Ø5.91	7.44	5.57	Ø6.99	Ø1.97	0.55	1.97	Ø29.53	617.29	M218X3P
ATB-180	8:1	159313.42	7.2	22126.86	F40	F48	Ø6.69	224808.94	26.77	12.72	15.35	20.16	2.76	2.36	Ø7.09	7.85	5.91	Ø7.78	Ø1.97	0.55	1.97	Ø29.53	793.66	M218X3P

**World Area Configuration Centers (WACC) offer sales support, service, inventory and commissioning to our global customers. Choose the WACC or sales office nearest you:**

***NORTH & SOUTH AMERICA***

19200 Northwest Freeway  
Houston, TX 77065  
T +1 281 477 4100  
F +1 281 477 2809

Av. Hollingsworth,  
325, Iporanga Sorocaba,  
SP 18087-105  
Brazil  
T +55 15 3238 3788  
F +55 15 3228 3300

***ASIA PACIFIC***

No. 9 Gul Road  
#01-02 Singapore 629361  
T +65 6777 8211  
F +65 6268 0028

No.1 Lai Yuan Road  
Wuqing Development Area  
Tianjin 301700  
P.R.China  
T +86 22 8212 3300  
F +86 22 8212 3308

***MIDDLE EAST & AFRICA***

P. O. Box 17033  
Dubai  
United Arab Emirates  
T +971 4 811 8100  
F +971 4 886 5465

P. O. Box 10305  
Jubail 31961  
Saudi Arabia  
T +966 3 340 8650  
F +966 3 340 8790

24 Angus Crescent  
Longmeadow Business Estate  
East P.O. Box 6908; Greenstone; 1616  
Modderfontein, Extension 5  
South Africa  
T +27 11 451 3700  
F +27 11 451 3800

***EUROPE***

Berenyi u. 72- 100  
Videoton Industry Park,  
Building #230  
Székesfehérvár 8000  
Hungary  
T +36 22 530 950  
F +36 22 543 700

For complete list of sales and manufacturing sites, please visit  
[www.emerson.com/actuationtechnologieslocations](http://www.emerson.com/actuationtechnologieslocations)  
Or contact us at [gears@emerson.com](mailto:gears@emerson.com)

[www.emerson.com/bettis](http://www.emerson.com/bettis)

©2017 Emerson. All rights reserved.

The Emerson logo is a trademark and service mark of Emerson Electric Co. Bettis™ is a mark of one of the Emerson family of companies. All other marks are property of their respective owners.

The contents of this publication are presented for information purposes only, and while every effort has been made to ensure their accuracy, they are not to be construed as warranties or guarantees, express or implied, regarding the products or services described herein or their use or applicability. All sales are governed by our terms and conditions, which are available on request. We reserve the right to modify or improve the designs or specifications of our products at any time without notice.