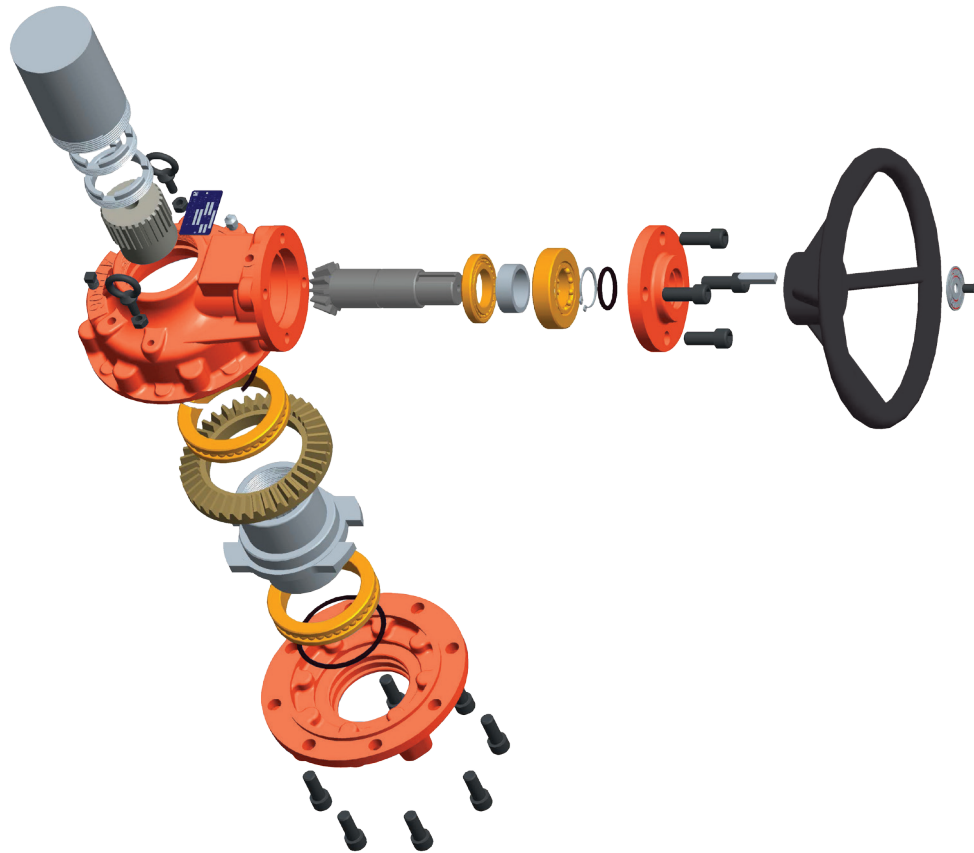


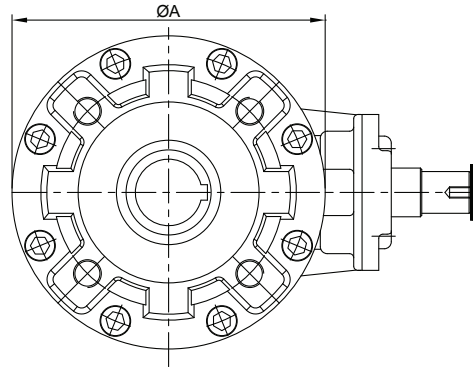
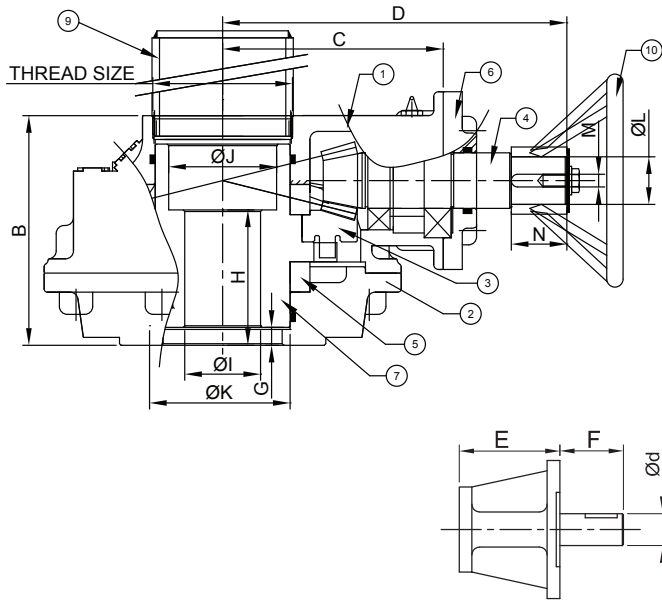
Bettis ATB-Series (B-Type, Non Thrust)

Multi-turn Bevel Gear Operators for Manual Operation and Electrical Actuation



Performance Specifications ATB Series (B-Type, Non Thrust)

Multi-turn Bevel Gear Operators for Manual Operation and Electrical Actuation



Standard Electrical Actuation Flange For All Models

Actuator Mounting ISO 5211	Ød
F10	0.98
F14	1.18
F16	1.38

Flange Drill as per ISO 5211 Keyway as per IS 2048

SR.	Description	Material	US Standard	IS Standard
1	Housing	Ductile Iron	ASTM A536 65-45-12	SGI 400/12
2	Base Plate	Ductile Iron	ASTM A536 65-45-12	SGI 400/12
3	Bevel Gear	Carbon Steel	ATSM A322 4140	40CrMo3
4	Bevel Pinion	Carbon Steel	ATSM A322 4140	40CrMo3
5	Spacer	Carbon Steel	ASTM A576 1045	45C8
6	Flange Cap	Ductile Iron	ASTM A536 65-45-12	SGI 400/12
7	Adaptor Sleeve	Ductile Iron	ASTM A536 70-50-05	SGI 500/7
8	Hardware	Carbon Steel	-	10.9 Gr or Equivalent
9	Stem Protector	Carbon Steel	ASTM A53	IS 2062 Gr B
10	Handwheel (Pipe)	Carbon Steel	ASTM A53	IS 2062 Gr B
11	Adaptor	Bronze	B148 C95800	-
12	Lock Nut	Carbon Steel	ASTM A576 1045	45C8

Model	Ratio	Rated Output Torque (lb-in)	Mech. Advant.	Input Torque (lb-in)	Valve Mtg. Flange ISO 5211	Opt. Mtg. Flange ISO	Max. Stem (Ø)	A	B	C	D	E	F	ØG	H	ØK	ØL	M	N	Reco. H. wheel	App. Wgt. (lbs)	Thread Size
ATB-01B	1:1	1327.61	0.9	1469.22	F07/F10	--	Ø0.79	5.31	4.13	3.46	6.77	2.60	2.28	Ø0.35	1.57	Ø1.30	Ø0.98	0.31	1.38	Ø11.81	22.05	1 3/4"X11TPI BSP
ATB-02B	2.5:1	2212.69	2.25	982.43	F10/F12	--	Ø0.98	5.91	4.33	3.94	7.28	2.60	2.28	Ø0.69	1.69	Ø1.48	Ø0.98	0.31	1.38	Ø11.81	26.46	2"X11TPI BSP
ATB-03B	3:1	3540.30	2.7	1309.91	F10/F12	F14	Ø1.18	6.65	4.45	4.33	7.91	2.60	2.28	Ø0.65	1.89	Ø1.79	Ø1.18	0.31	1.38	Ø15.75	28.66	2"X11TPI BSP
ATB-06B	3.25:1	5310.45	2.92	1814.40	F12/F14	F16	Ø1.38	7.60	4.80	4.25	7.36	2.60	2.28	Ø0.65	2.20	Ø2.09	Ø1.18	0.31	1.38	Ø19.69	33.07	2.5"X11TPI BSP
ATB-11B	4:1	9735.82	3.6	2699.48	F14/F16	--	Ø1.65	8.98	5.71	5.55	8.54	2.60	2.28	Ø0.93	2.44	Ø2.48	Ø1.18	0.31	1.38	Ø23.62	52.91	3"X11TPI BSP
ATB-16B	4.5:1	14161.19	4.05	3496.04	F16/F20	F25	Ø2.36	10.83	6.61	6.54	10.00	2.60	2.28	Ø1.14	3.05	Ø3.44	Ø1.18	0.31	1.38	Ø23.62	74.96	3.5"X11TPI BSP
ATB-23B	5:1	22126.86	4.5	4921.01	F20/F25	F30	Ø2.76	13.19	6.85	7.60	11.06	2.60	2.28	Ø1.02	3.29	Ø3.68	Ø1.18	0.31	1.38	Ø23.62	110.23	4"X11TPI BSP
ATB-38B	5.5:1	33632.83	4.95	6797.37	F25/F30	F35	Ø2.95	14.80	7.95	8.66	12.72	2.60	2.28	Ø1.40	3.94	Ø3.98	Ø1.50	0.39	1.38	Ø23.62	185.19	5"X11TPI BSP
ATB-55B	6:1	48679.10	5.4	9010.06	F30/F35	F40	Ø4.33	17.01	9.25	9.69	13.86	2.76	2.36	Ø1.91	4.13	Ø4.92	Ø1.50	0.39	1.38	Ø29.53	341.72	5"X11TPI BSP
ATB-85B	6.5:1	75231.34	5.85	12851.28	F35/F40	--	Ø4.72	19.29	10.20	10.51	14.65	2.76	2.36	Ø2.19	4.33	Ø5.55	Ø1.50	0.39	1.38	Ø29.53	407.85	6"X11TPI BSP
ATB-130B	7:1	115059.69	6.3	18259.09	F35/F40	--	Ø5.12	23.23	11.42	13.39	18.43	2.76	2.36	Ø1.87	5.57	Ø6.99	Ø1.97	0.55	1.97	Ø29.53	617.29	M218X3P
ATB-180B	8:1	159313.42	7.2	22126.86	F40	F48	Ø5.71	26.77	12.72	15.35	20.16	2.76	2.36	Ø1.95	5.91	Ø7.78	Ø1.97	0.55	1.97	Ø29.53	793.66	M218X3P

World Area Configuration Centers (WACC) offer sales support, service, inventory and commissioning to our global customers. Choose the WACC or sales office nearest you:

NORTH & SOUTH AMERICA

19200 Northwest Freeway
Houston, TX 77065
T +1 281 477 4100
F +1 281 477 2809

Av. Hollingsworth,
325, Iporanga Sorocaba,
SP 18087-105
Brazil
T +55 15 3238 3788
F +55 15 3228 3300

ASIA PACIFIC

No. 9 Gul Road
#01-02 Singapore 629361
T +65 6777 8211
F +65 6268 0028

No.1 Lai Yuan Road
Wuqing Development Area
Tianjin 301700
P.R.China
T +86 22 8212 3300
F +86 22 8212 3308

MIDDLE EAST & AFRICA

P. O. Box 17033
Dubai
United Arab Emirates
T +971 4 811 8100
F +971 4 886 5465

P. O. Box 10305
Jubail 31961
Saudi Arabia
T +966 3 340 8650
F +966 3 340 8790

24 Angus Crescent
Longmeadow Business Estate
East P.O. Box 6908; Greenstone; 1616
Modderfontein, Extension 5
South Africa
T +27 11 451 3700
F +27 11 451 3800

EUROPE

Berenyi u. 72- 100
Videoton Industry Park,
Building #230
Székesfehérvár 8000
Hungary
T +36 22 530 950
F +36 22 543 700

For complete list of sales and manufacturing sites, please visit
www.emerson.com/actuationtechnologieslocations
Or contact us at gears@emerson.com

www.emerson.com/bettis

©2017 Emerson. All rights reserved.

The Emerson logo is a trademark and service mark of Emerson Electric Co. Bettis™ is a mark of one of the Emerson family of companies. All other marks are property of their respective owners.

The contents of this publication are presented for information purposes only, and while every effort has been made to ensure their accuracy, they are not to be construed as warranties or guarantees, express or implied, regarding the products or services described herein or their use or applicability. All sales are governed by our terms and conditions, which are available on request. We reserve the right to modify or improve the designs or specifications of our products at any time without notice.