

Subject to change without notice

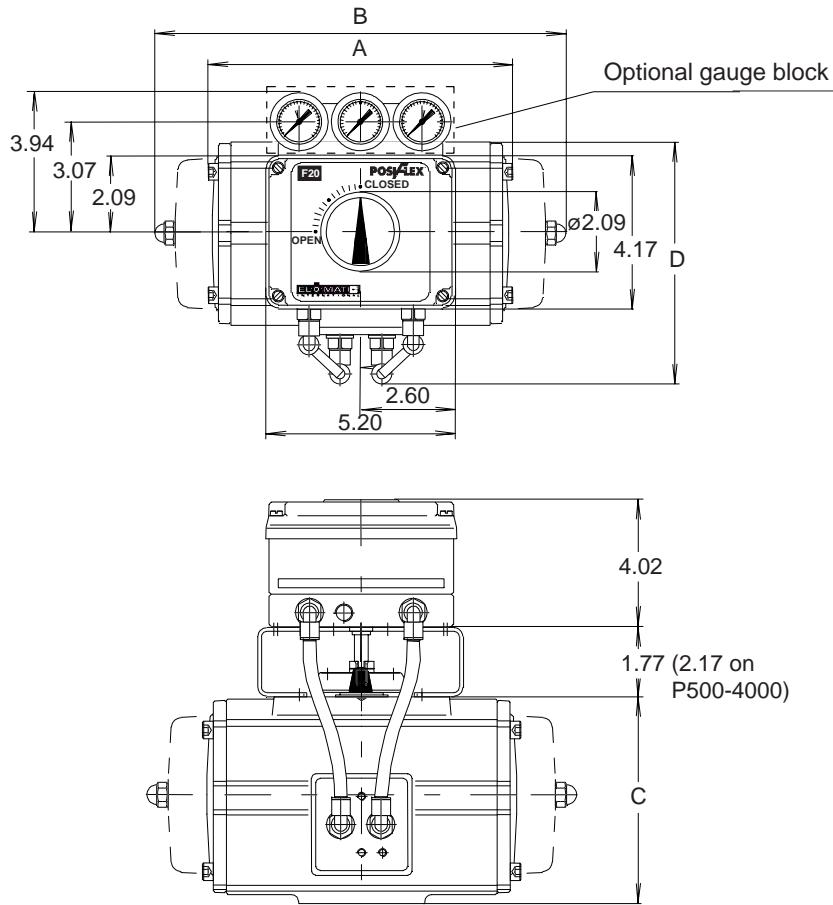
VALVE AUTOMATION SYSTEMS

www.elo-matic.com
ELO-MATIC[®]

All rights reserved

N.: A 3.301.2

Date: March '06



Note:

- Dimensions are in inches.
- Other dimensions: please refer to the dimension sheets
 Actuators : A 1.103.xxx
 Positioners : A 6.10x

Dim. in inches	Actuator type										
	E25	E40	E65	E100	E200	E350	E600	E950	E1600	P2500	P4000
A PD/ED	6.26	7.09	7.83	8.70	11.14	12.01	15.24	16.69	20.31	14.88	19.76
B PE/ES	6.77	8.03	9.80	10.51	14.17	15.24	18.78	20.35	25.08	22.44	32.83
C	3.15	3.66	4.13	4.65	5.63	7.13	8.66	10.20	11.69	14.02	14.96
D	5.55	5.55	5.55	5.98	6.77	8.52	9.90	10.89	12.19	15.47	16.73

Description

The F20 is a universal Electro- Pneumatic Positioner, suitable for rotary actuators (single or double acting).

The F20 Positioner operates on the principle of analog electronic comparison. An analog 4-20 mA input signal is used to obtain an accurate position of the actuator.

The F20 is a true 2 wire instrument, with the 4-20 mA signal providing both the controlling signal and power supply for the electronics. An electronic module provides all the usual control characteristics: Zero, range and sensitivity are all electronically re-settable using trimmers on the control card.

A comprehensive range of integrated control options include gauges, switches, position transmitters .

Mounting is to the Industry Standard VDI/VDE 3845 (NAMUR) with the drive coupling spring loaded for zero backlash.

General Specification:

Hysteresis	: 0.6%	Air Supply	: 20 to 125 psig.
Linearity	: 1.0%	Electrical signal	: 2 wire :4 to 20 mA
Air Flow	: 7.4 SCFM (at 87 psi)		: ≈ 8 VDC
Air Consumption	: 0.4 SCFM (at 87 psi)	Resistance	: 350 Ω (at 20 mA)
Min. volume actuator	: 6.1 in ³	Electrical entry	: ½" NPT
Temperature	: -4°F to +176°F		: (Option M20 x 1.5)
Mounting	: VDI/VDE 3845	Enclosure	: NEMA 4/ IP 65
Air Entry	: ¼" NPT		

Media

- : Non-lubricated instrument air, filtered at 25 micron.
- : Dew point should be 10°F below environmental temperature.
- : Air quality class 3-2-3 accord. to ISO 8573-1.

Materials

- : Housing : Aluminum Alloy
- : Finish : Epoxy paint

Integrated Control Options

- G2 : Gauge block, for supply and two output pressures
- PTF20 : Position transmitter - 2 Wire
- S2 : Two Mechanical Switches
- IS2 : Two Inductive Switches - 2 Wire (Intrinsically safe)
- PNP : Two Inductive Switches - 3 Wire
- POT : Potentiometer
- IS : Intrinsically safe positioner to EEx ib IIC T4
- LT : Low temperature: -58°F to +176°F

EL-O-MATIC ACTUATOR WITH ELECTRO-PNEUMATIC POSITIONER

F20