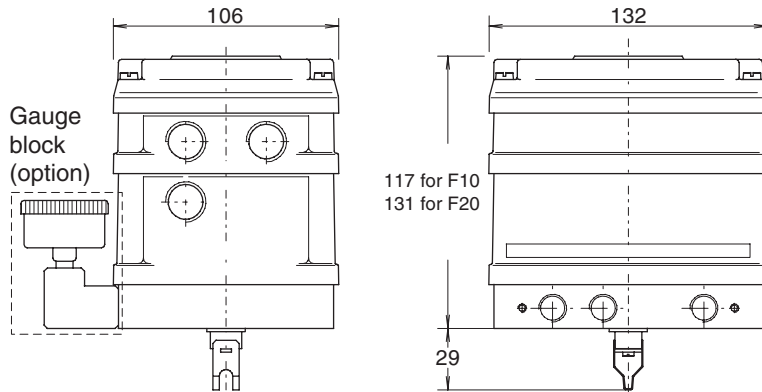
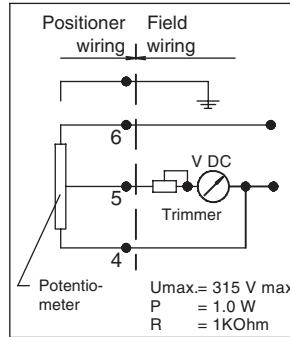
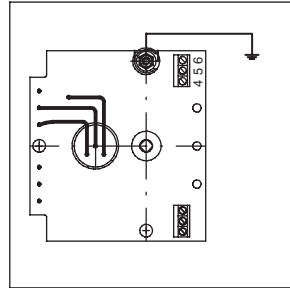


Pos.	Qty.	Description
14	1	Position transmitter module
25	4	Spacer standoff screws



**Description:**

This positioner variation has the addition of a potentiometer to provide a continuous output signal in proportion to the mechanical position of the positioner.

The POT variation may be used with Posiflex F10 or F20 positioners and is available as a kit or factory option.

The POT module (14) is pre-assembled with its circuit board (10), potentiometer and terminals (27) for a direct connection to the control circuit. When connected as shown a voltage signal will indicate an analog position.

**Construction:**

The POT module is assembled to the basic positioner by inserting it between the base housing and the cover. The positioner indicator spindle provides the drive for the potentiometer.

Control options are stackable and fully modular so that various combinations may be assembled as required.

**Specification:**

- Entries : 2x M20x1.5 (option, 1/2" NPT)
- Temp. : -20° to +80°C
- Voltage : Up to 315 V
- Power : 1.0 Watt
- Resistance : 1 KOhm (±20%)
- Linearity : 3%
- Housing : Aluminium Alloy
- Finish : Polyester powder coated
- Enclosure : IP65

**Identification:**

- Factory Option : Add "+POT" to the basic positioner number.  
ie. F10+POT
- Kit Option : POT-F10/F20.