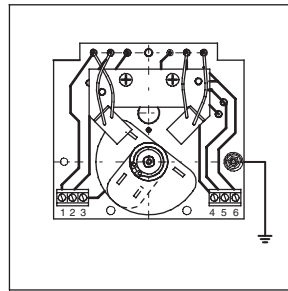
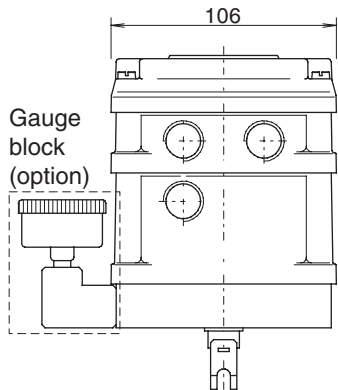
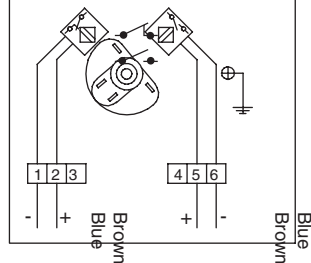


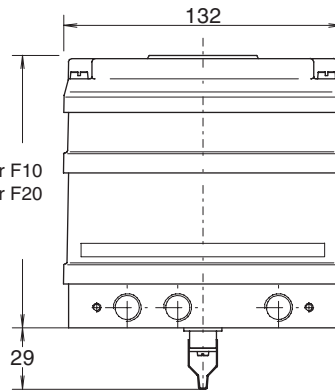
Pos.	Qty.	Description
1	1	IS2 Switch module
2	4	Spacer standoff screws



U = : 7-9 VDC / DIN19234
I_{output} : < 1mA
 : > 3mA



117 for F10
131 for F20



Description:

This positioner variation has the addition of two 2 wire inductive switches to provide indication at the end of stroke positions. These electronic switches are contact free and provide an exceptionally "clean" output signal, they are inductive proximity switches and their ultra low power enables them to be used in explosion hazardous areas when incorporated in intrinsically safe control circuits. They are certified EEx ia and may be used in zones 1 and 2 with all gas groups.

The switches are operated by two cams on an extension of the positioner indicator spindle and all mechanical parts are contained within the enclosure. Both switch points are independently adjustable throughout the operating stroke, but are normally set to indicate at about 5° before each end position.

IS2 switch modules may be added to standard Posiflex F10 or F20 positioners and are available as kit or factory options. Two electrical entries are provided, one of which is fitted with a blanking plug.

Construction:

The IS2 switch module (1) is assembled to the basic positioner by inserting it between the base housing and the cover. The positioner spindle provides the drive for the switch cams.

Control options are stackable and fully modular so that combinations of position transmitters and switch modules can be assembled as required.

Specification:

- Switches:
- Type : Inductive, 2 wire, SJ 3.5 N
 - Voltage : 7 to 9V DC (acc. to DIN 19234)
 - Output Un-switched : > 3 mA
 - Switched : < 1 mA
 - Protection : Intrinsically safe
 - Marking : II 2 EEx ib IIC T6
 - P&F Certificate : PTB 99 ATEX2219X
 - Connections : Terminals inside the casing
 - Entries : 2x M20x1.5 (option, 1/2" NPT)
 - Temperature : -20° to +80°C
 - Housing : Aluminium Alloy
 - Finish : Polyester powder coated
 - Enclosure : IP65

Identification:

- Factory Option : Add "+IS2" to the basic positioner number.
ie. F10+IS2.
- Kit Option : PNP-F10.