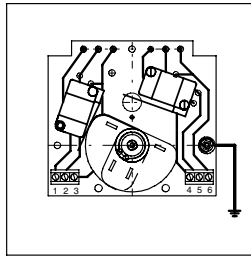
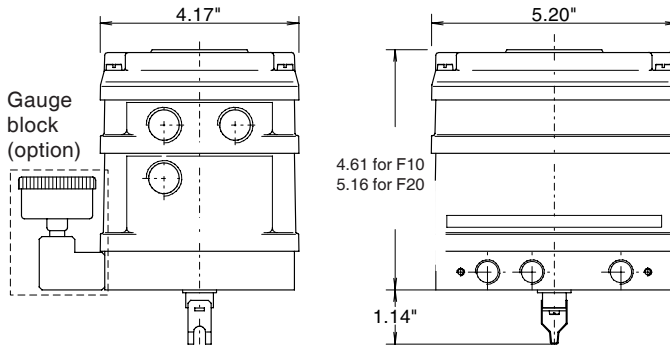
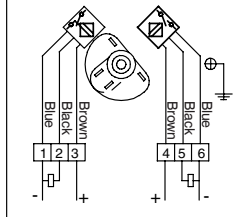


Pos.	Qty.	Description
1	1	PNP switch module
2	4	Spacer standoff screws



U = : 10-30 VDC  
 Current : <100 mA



**Description:**

This positioner variation has the addition of two 3 wire inductive switches to provide indication at the end of stroke positions. These electronic switches are contact free and provide an exceptionally "clean" output signal, they are inductive proximity switches and incorporate their own solid state line amplifiers and so provide a direct switching current of up to 200 mA.

The switches are operated by two cams on an extension of the positioner indicator spindle and all mechanical parts are contained within the enclosure. Both switch points are independently adjustable throughout the operating stroke, but are normally set to indicate at about 5° before each end position.

Two electrical entries are provided, one of which is fitted with a blanking plug.

PNP switch modules may be added to standard Posiflex F10 or F20 positioners and are available as kit or factory options.

**Construction:**

The PNP switch module (1) is assembled to the basic positioner by inserting it between the base housing and the cover. The positioner spindle provides the drive for the switch cams.

Control options are stackable and fully modular so that combinations of position transmitters and switch modules can be assembled as required.

**Specification:**

- Switches:
- Type : 3-Wire inductive PNP - NBB2-V3-E2
  - Voltage :  $U_p=10$  to 30V DC
  - Output current : Max.: 100 mA
- Connections : Terminals inside the casing.  
 Electrical entry : 2x 1/2" NPT (option M20,x1.5).  
 Temperature : -4° to +140°F  
 Housing : Aluminum Alloy  
 Enclosure : NEMA4 / IP65  
 Finish : Polyester powder coated

**Identification:**

- Factory Option : Add "+PNP" to the basic positioner number; i.e. F10+PNP
- Kit Option : PNP-F10