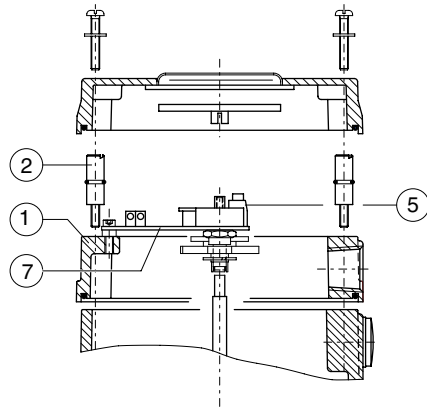


Data sheet

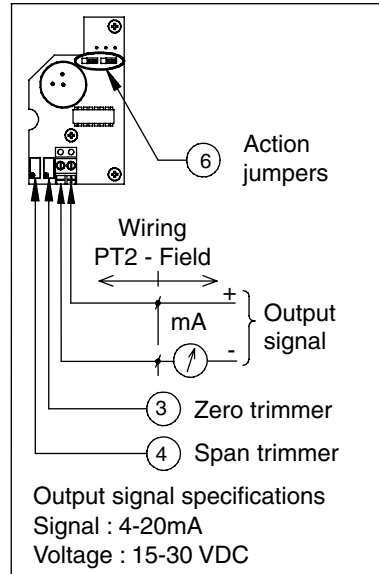
Sheet No.: 6.202.2 Rev. A
Date: November 2009

POSIFLEX POSITIONER WITH TWO WIRE POSITION TRANSMITTER

PT2



Pos.	Qty.	Description
7	1	Position transmitter module
2	4	Spacer standoff screws



Description

The PT2 position transmitter provides a continuous 4-20 mA output signal in proportion to the mechanical position of the positioner. The two wire function is independent from the input signal and has a separate electrical entry.

PT2 position transmitters may be used with Posiflex F10 (or F20) positioners and are available as kit or factory options.

The position transmitter module (1) is pre-assembled with its circuit board (7) and has a potentiometer, trimmers for zero (3) and range (4) adjustments and terminals (5) for the external power supply. Jumpers (6) are provided to select the action (direct or reverse).

Construction

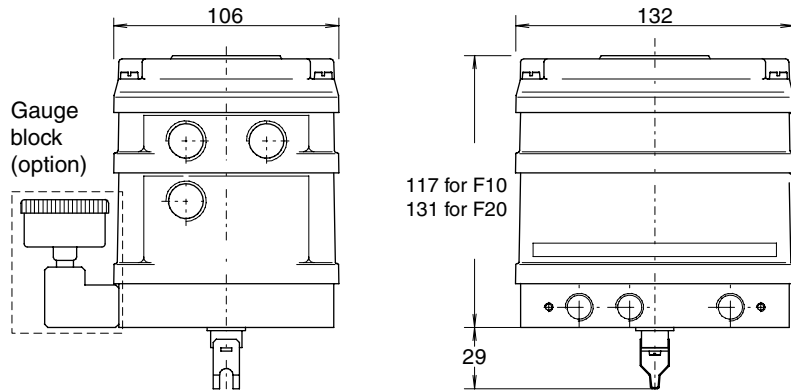
The PT2 module (1) is assembled to the basic positioner by inserting it between the base housing and the cover. The positioner indicator spindle provides the drive for the potentiometer (3).

Specification

Entries : 2x M20x1.5 (option, 1/2" NPT)
 Voltage : 15 - 30 VDC. (external)
 Temperature : -20° C to +80° C
 Output : 4 - 20 mA
 : With full range adjustment for zero and range
 : Jumpers for action setting (direct / reverse)
 Housing : Aluminium Alloy
 Enclosure : IP65
 Finish : Polyester powder coated

Identification

Factory option : Add '+PT2' to the basic positioner number
 : ie. F10+PT2
 Kit option : PT2-F10



EL-O-MATIC™

www.El-O-matic.com

Copyright © Emerson Process Management. The information in this document is subject to change without notice.

Updated data sheets can be obtained from our website www.El-O-matic.com or from your nearest Valve Automation Center **USA:** +1 813 319 0266 **Europe:** +31 74 256 10 10 **Asia-Pacific:** +65 6501 4600



EMERSON™
Process Management