

VALVE AUTOMATION SYSTEMS

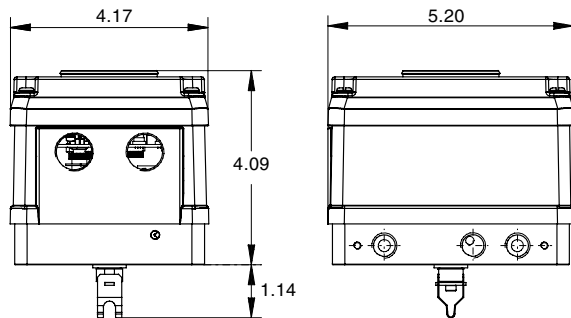
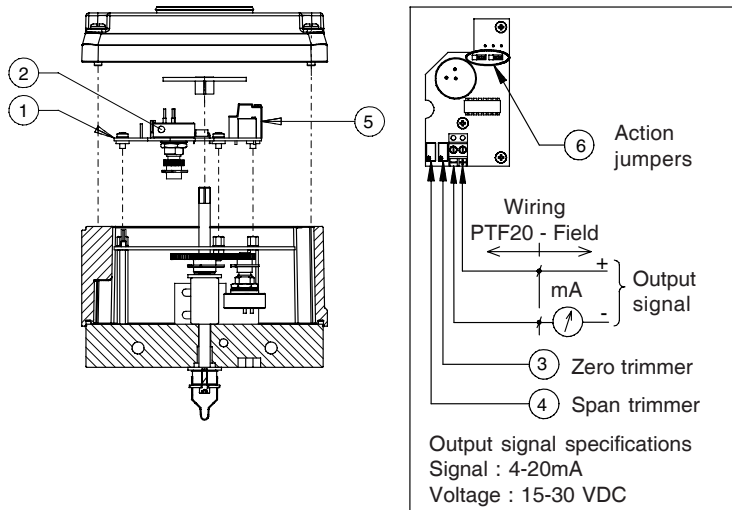
www.elo-matic.com

EL-O-MATIC[®]

All rights reserved

Nr.: A6:202.1

Date: March '06



Description

PTF20 position transmitter is specially designed for F20 POSIFLEX positioners as a "plug-in" option and is available as kit or factory option. The PTF20 position transmitter provides a continuous 4-20 mA output signal in proportion to the mechanical position of the positioner. The two wire function is independent from the input signal.

Construction

The PTF20 position transmitter card is directly mounted on top of the main board in the enclosure of the F20 positioner. The card (1) has its own feedback potentiometer (2), trimmers for zero (3) and span (4) adjustments and terminals (5) for the 2-wire-connections, which are used for power supply for the electronics as well as the output signal.

The trimmers for zero and span can be set throughout the complete range. This way split range and reverse acting is possible. The positioners indicator spindle provides the drive for the potentiometer. Jumpers (6) are provided to select the action (direct or reverse).

Specification:

- Entries : 2x 1/2" NPT (option, M20x1.5)
- Voltage : 15 - 30 VDC. (external)
- Temperature : -4° F to +176° F
- Output : 4 - 20 mA
- : With full range adjustment for zero and range
- Jumper setting : Action (direct or reverse).
- Housing : Aluminum Alloy
- Enclosure : NEMA4 / IP65
- Finish : Polyester powder coated

Identification:

- Factory option : Add '+PTF20' to the basic positioner number.
- : ie. F20+PTF20.
- Kit option : PTF20-F20.

Option:

- Intrinsically safe version
- Marking : ATEX II 2 EEx ib IIC T6
- Certificate : TÜV 00ATEX1565 (is part of intrinsically safe certificate of complete F20)

POSIFLEX POSITIONER WITH TWO WIRE POSITION TRANSMITTER

PTF20