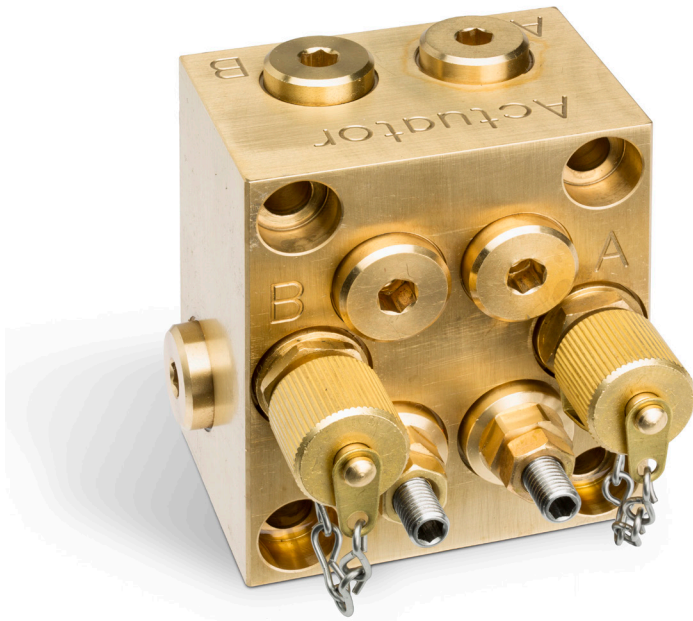


Bulkhead Block DPHS-2-PCV-R-T



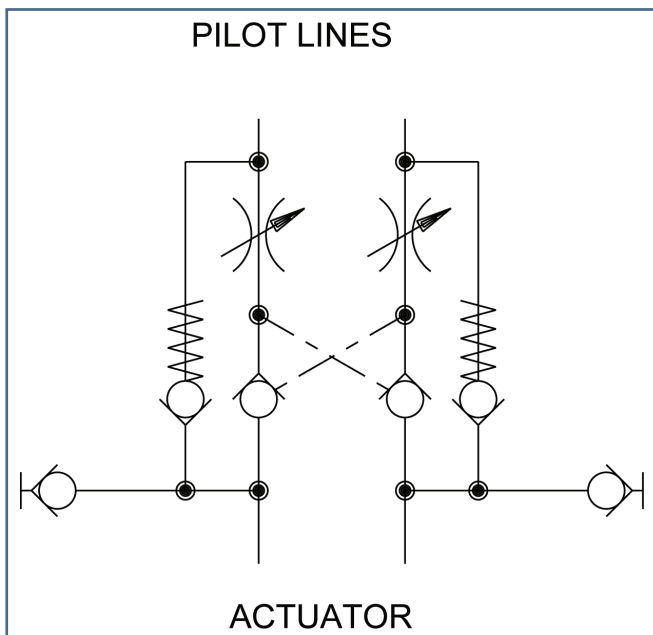
General Description

The bulkhead block DPHS-2-PCV-R-T is made for external connection of actuator located in hazard area (submerge, Ex etc.) the bulkhead block is replacing actuator block and DPHS-block mounted outside tank for submerged actuator. The function of the block is identical to CB2-PCV-R-T-H and thus emergency operation from this block is by means of portable handpump, but it is made for bulkhead mounting instead of mounting on actuator.

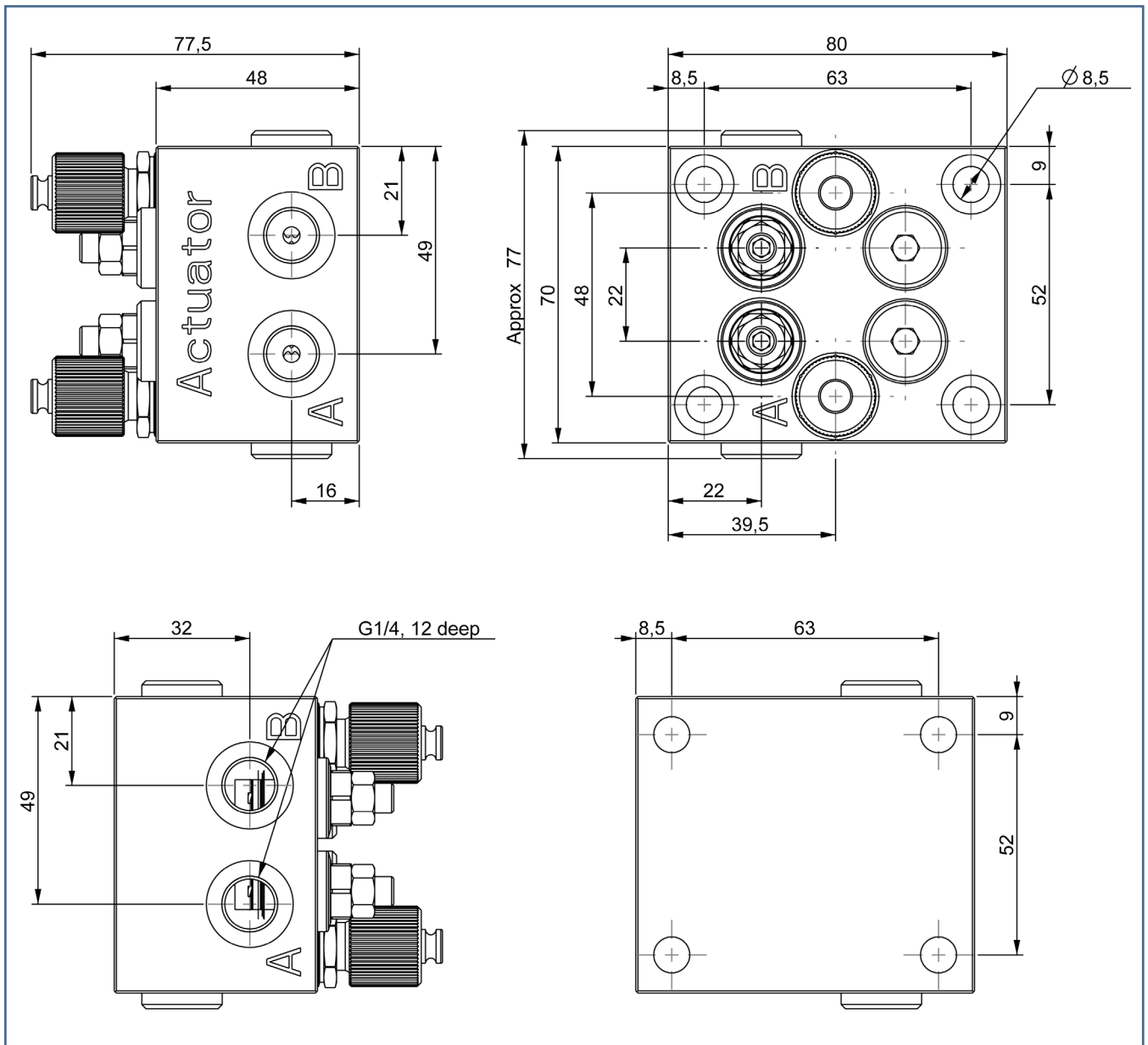
Main Product Data

Oil Viscosity	10-200 cSt
Temperature range	-20° C to 80° C
Working pressure	135 Bar
Test pressure	210 Bar
Max flow	6 l/min
Block Materials	Brass MS 58
Seals	NBR
Weight	2,1 kg

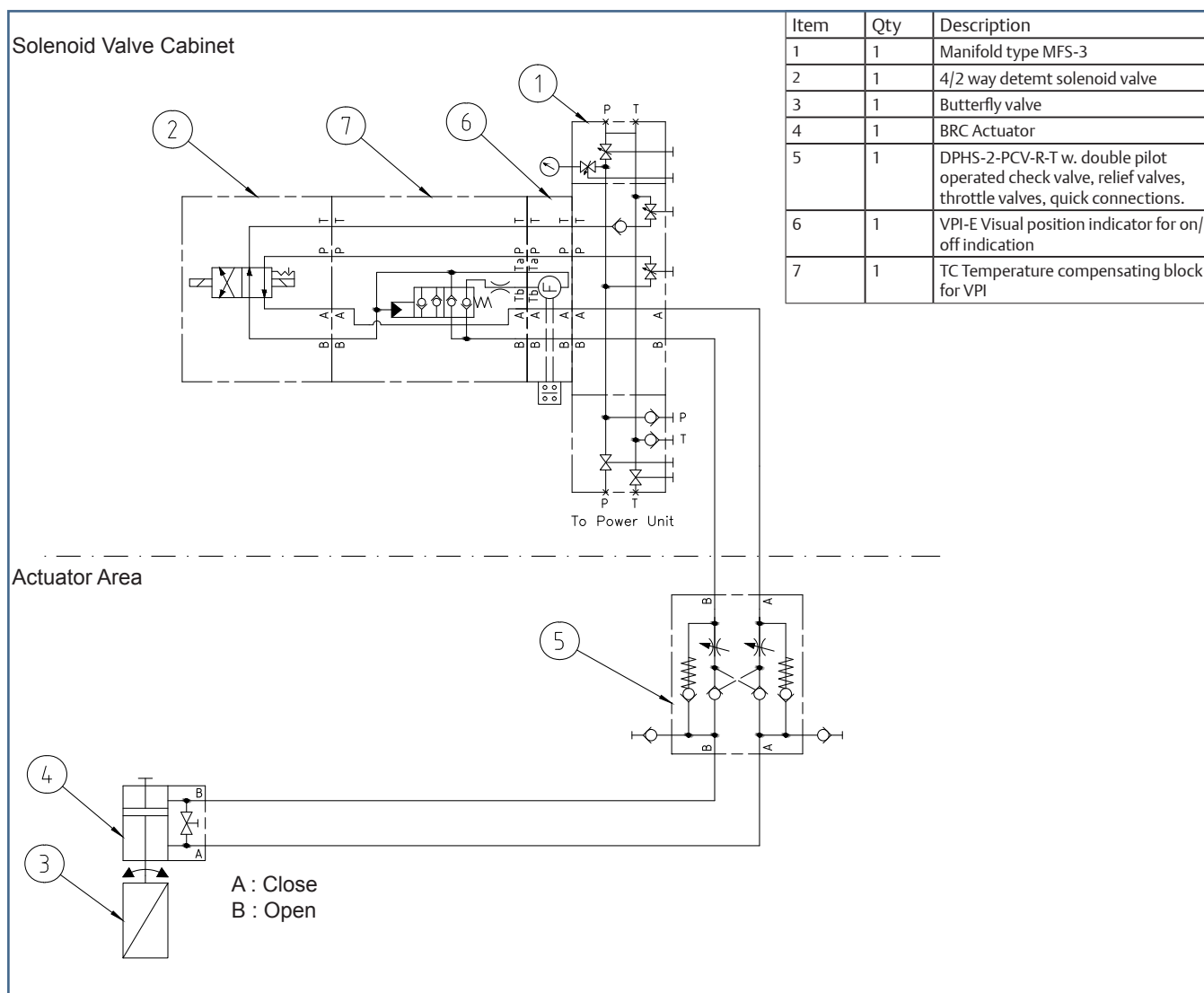
Hydraulic Diagram



Main Dimensions



System Diagram



©2014 Emerson Process Management. All rights reserved.

The Emerson logo is a trademark and service mark of Emerson Electric Co. Damcos and the Damcos logotype are trademarks of Damcos A/S. All other marks are the property of their respective owners.

Emerson Process Management

Damcos A/S
Aaderupvej 41
DK-4700 Naestved
T +45 5578 7200
F +45 5578 7272

www.EmersonProcess.com/mtm

The contents of this publication are presented for information purposes only, and while effort has been made to ensure their accuracy, they are not to be construed as warranties or guarantees, expressed or implied, regarding the products or services described herein or their use or applicability. Standard Terms and Conditions of Sale can be issued by contacting Damcos A/S. We reserve the right to modify or improve the designs and specifications of our products at any time without notice. Damcos A/S accepts no responsibility for any errors that may appear in this publication.