

Product Data Sheet

SD 3006-2E02

August 2008

Damcos® CB-NG6-E

CB-NG6-E Control Block

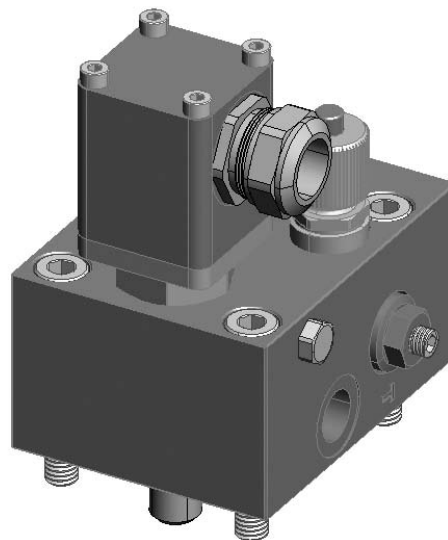
Presentation

CB-NG6-E:

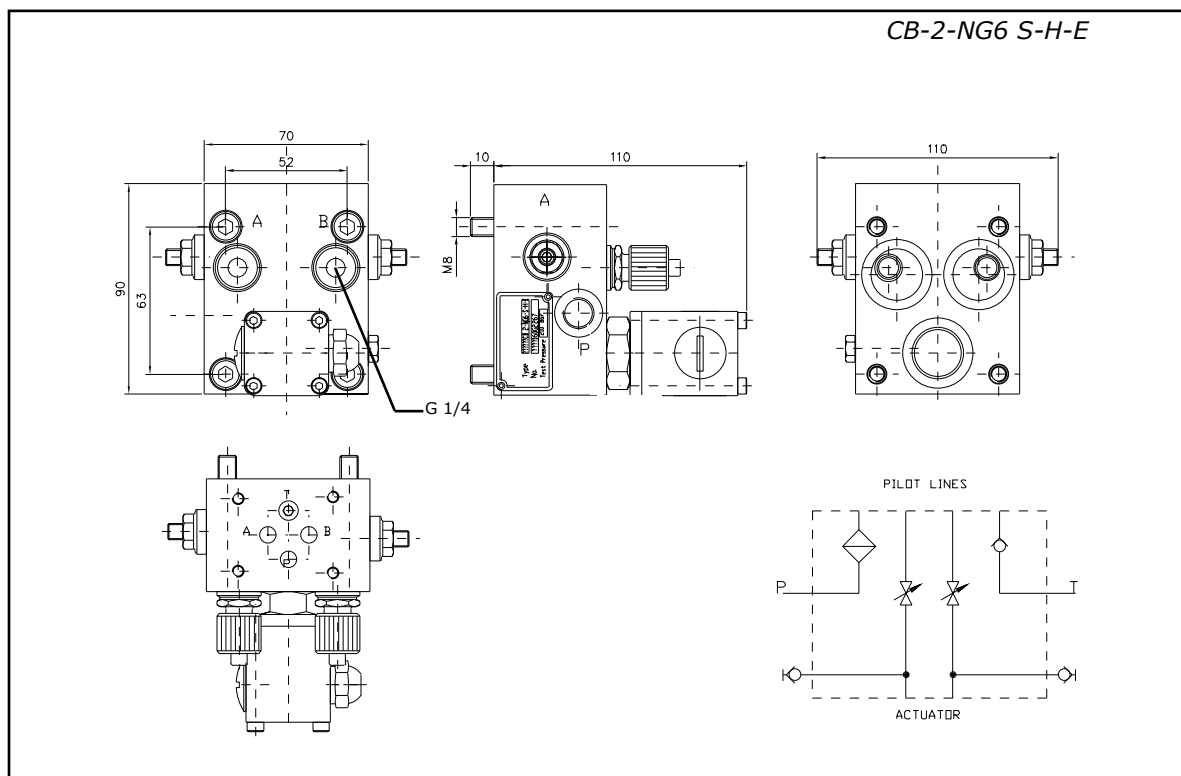
Control block for 1-line as well as 2-line actuators. It is mounted with interface for CETOP 3 valves. Furthermore it has an interface for EL on/off or potentiometer. It is possible to mount stop valve and hand pump quick connections

Available types

- CB 2-NG6-S-H-E
- CB 2-NG6-S-E
- CB 1-NG6-S-H-E
- CB 1A-NG6-S-H-E



Main dimensions



DAMCOS®


EMERSON™
Process Management

Damcos® CB-NG6-E

The Emerson logo is a trademark and service mark of Emerson Electric Co. Damcos and the Damcos logotype are registered trademarks of Damcos A/S. All rights reserved. The contents of this publication are presented for information purposes only, and while effort has been made to ensure their accuracy, they are not to be construed as warranties or guarantees, expressed or implied, regarding the products or services described herein or their use or applicability. All sales are governed by our terms and conditions, which are available upon request. We reserve the right to modify or improve the designs and specifications of our products at any time without notice. Damcos A/S accepts no responsibility for any errors that may appear in this publication.

**This product is developed and managed by:
Emerson Process Management**

Damcos A/S
Aaderupvej 41
DK-4700 Naestved
T +45 5578 7200
F +45 5578 7272

**For global contacts:
www.EmersonProcess.com/marine**