

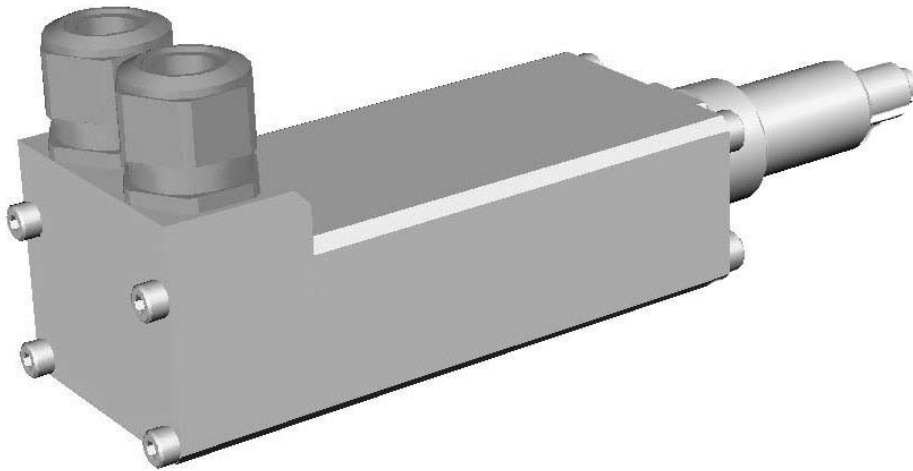
Product Data Sheet

SD 2001-2E01

August 2008

Damcos DDPI-E, -E/C and -C

Double Position Indicators



DAMCOS®


EMERSON™
Process Management

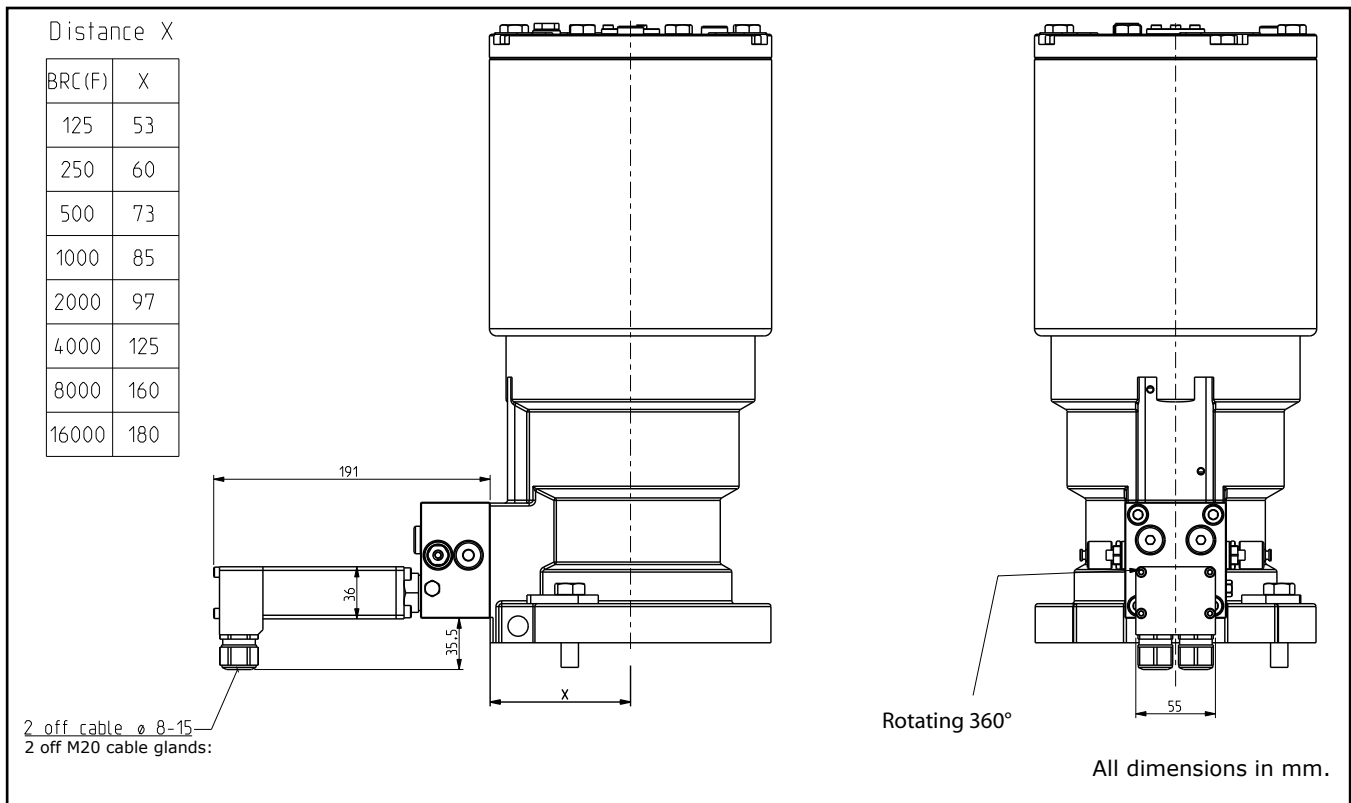
Damcos® DDPI-E, -E\C and -C

Description

The DDPI is designed to fit Damcos valve actuators (apart from LPU/-M) for use within the temperature range from -20° C to +80° C. The DDPI range consists of the DDPI-E (ON/OFF/switches), DDPI-E/C (ON/OFF/switches- continuous/potentiometer) and DDPI-C (continuous/potentiometer).

Material- and electrical specifications, IP class etc. are all identical with the standard DPI indicators. For further information about the DDPI, please see separate DPI data sheet.

Dimensions



The Emerson logo is a trademark and service mark of Emerson Electric Co. Damcos and the Damcos logotype are registered trademarks of Damcos A/S. All rights reserved. The contents of this publication are presented for information purposes only, and while effort has been made to ensure their accuracy, they are not to be construed as warranties or guarantees, expressed or implied, regarding the products or services described herein or their use or applicability. All sales are governed by our terms and conditions, which are available upon request. We reserve the right to modify or improve the designs and specifications of our products at any time without notice. Damcos A/S accepts no responsibility for any errors that may appear in this publication.

This product is developed and managed by:
Emerson Process Management

Damcos A/S
Aaderupvej 41
DK-4700 Naestved
T +45 5578 7200
F +45 5578 7272

For global contacts:
www.EmersonProcess.com/marine