

Product Data Sheet

SD 2901-2E01

July 2008

Damcos® Shaft cover

Shaft cover for BRC/BRCF actuators

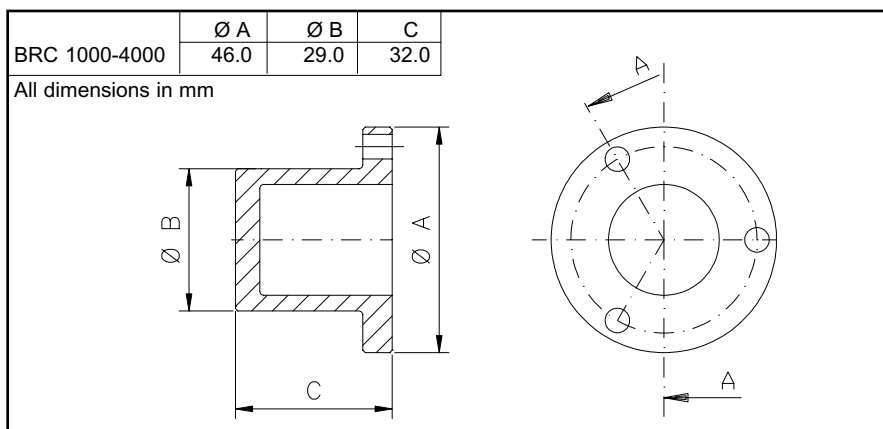
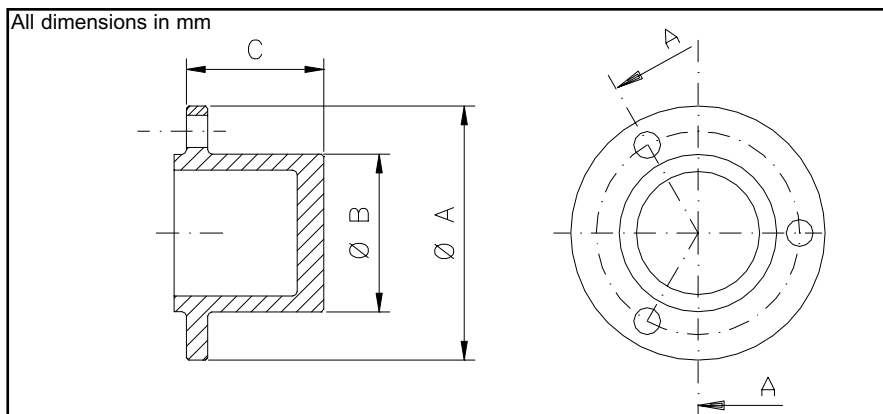
Description

This cover series protects against intrusion of fluids in indicator shaft area when the actuator is submerged.

Note: Is to be mounted on actuator before coating.

Dimensions

	Ø A	Ø B	C
BRC 125	39.0	22.5	24.7
BRC 250	47.5	29.5	25.7
BRC 500	55.0	36.5	27.7
BRCF 125-4000	39.0	22.5	24.7



DAMCOS®


EMERSON
Process Management

Damcos® Shaft cover

Materials

Shaft cover for:	
BRC 125:	Hydrax 15
BRC 250 - 4000:	GGG 40
BRCF 125 - 4000:	Hydrax 15

The Emerson logo is a trademark and service mark of Emerson Electric Co. Damcos and the Damcos logotype are registered trademarks of Damcos A/S. All rights reserved. The contents of this publication are presented for information purposes only, and while effort has been made to ensure their accuracy, they are not to be construed as warranties or guarantees, expressed or implied, regarding the products or services described herein or their use or applicability. All sales are governed by our terms and conditions, which are available upon request. We reserve the right to modify or improve the designs and specifications of our products at any time without notice. Damcos A/S accepts no responsibility for any errors that may appear in this publication.

**This product is developed and managed by:
Emerson Process Management**

Damcos A/S
Aaderupvej 41
DK-4700 Naestved
T +45 5578 7200
F +45 5578 7272

**For global contacts:
www.EmersonProcess.com/marine**