

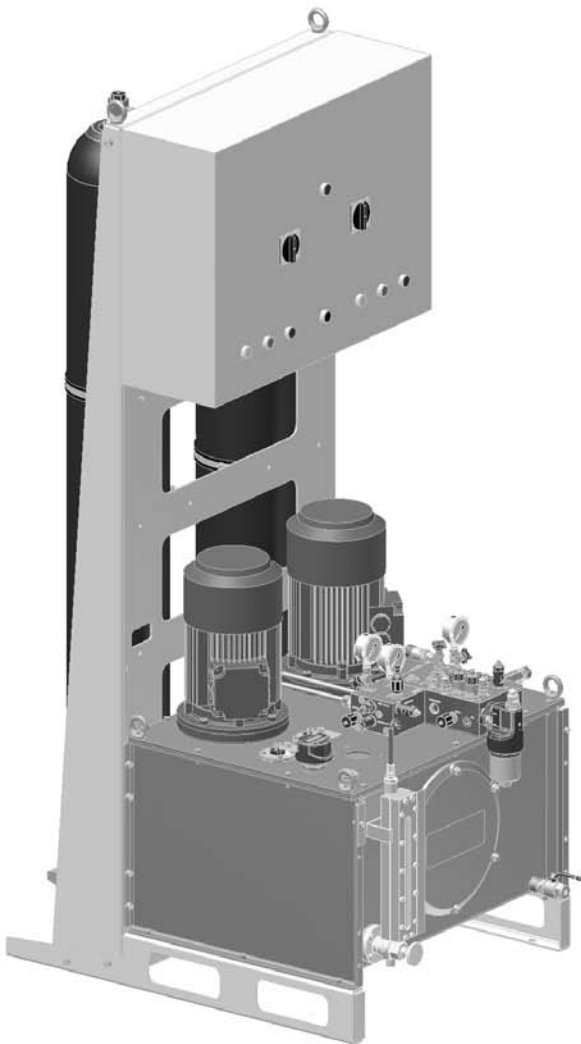
Product Data Sheet

SD 6001-2E04

June 2009

Damcos® SPU - Model A

System Power Unit

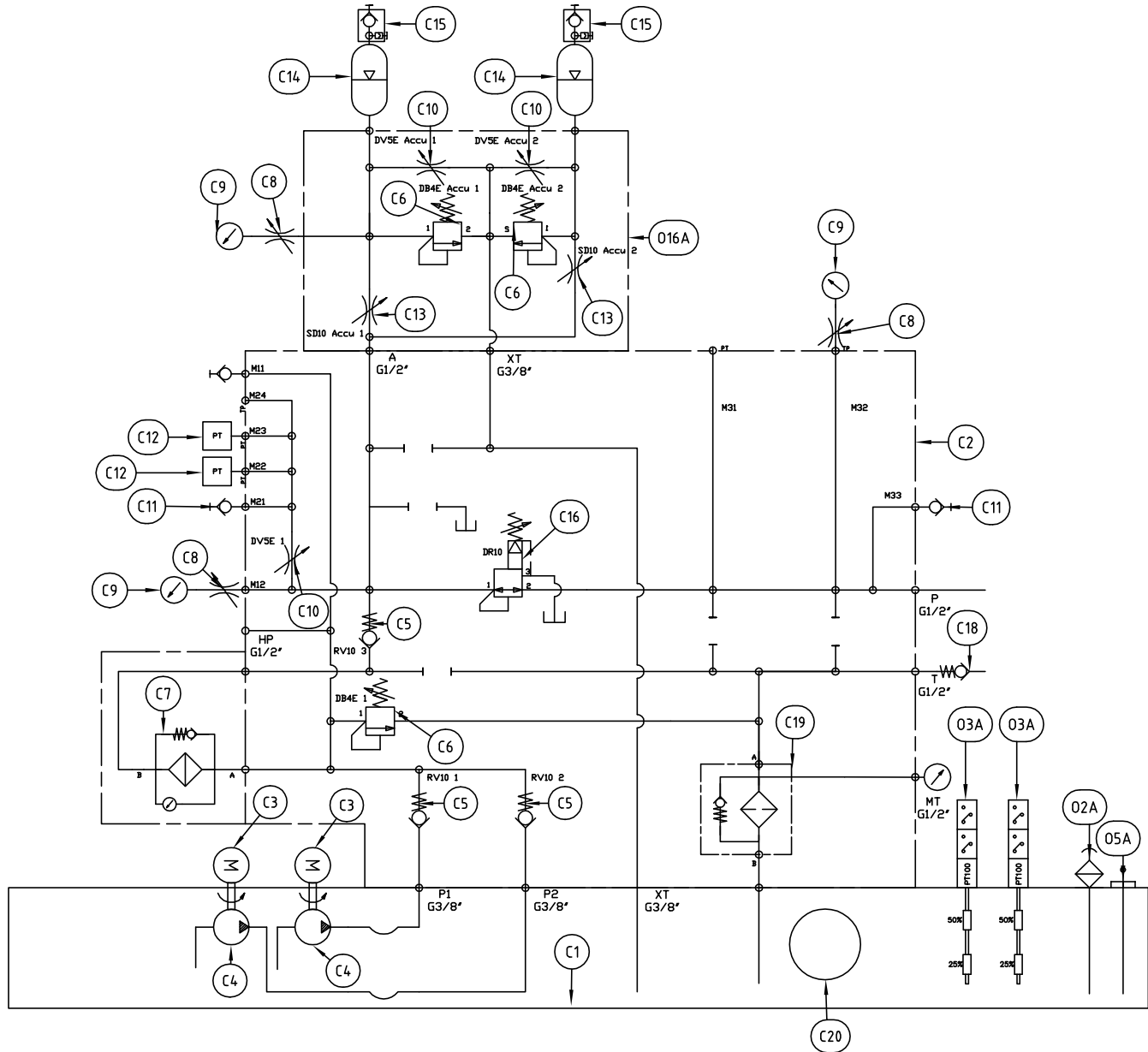


Damcos®


EMERSON™
Process Management

Damcos® SPU - Model A

Hydraulic diagram:



Item	Description	Qty
C1	Tank	1
C2	Universal block	1
C3	3 phase el motor	2
C4	Hydraulic pump XV2P	2
C5	Check valve RV10A	3
C6	Pressure relief valve DB4E	3
C7	Pressure filter DF 60	1
C8	Manometer valve FT291	3
C9	Manometer E63	3
C10	Flow control valve DVSE	3
C11	Test port PF 1/4"	2
C12	Internal pressure transmitter HDA 4445	2
C13	Needle valve SD10	2
C14	Accumulator bladder	2

Item	Description	Qty
C15	Adaptor with burst disc and filling port	2
C16	Pressure reducing valve w. relief function DR10	1
C18	Check valve for tank RV-12	1
C19	Return filter RFM	1
C20	Inspection cover	1
O2A	Breather filter BF	1
O3A	Level switch 25%, 50% and PT100	2
O5A	Oil dip stick	1
O16A	Accumulator block without backup valve	1

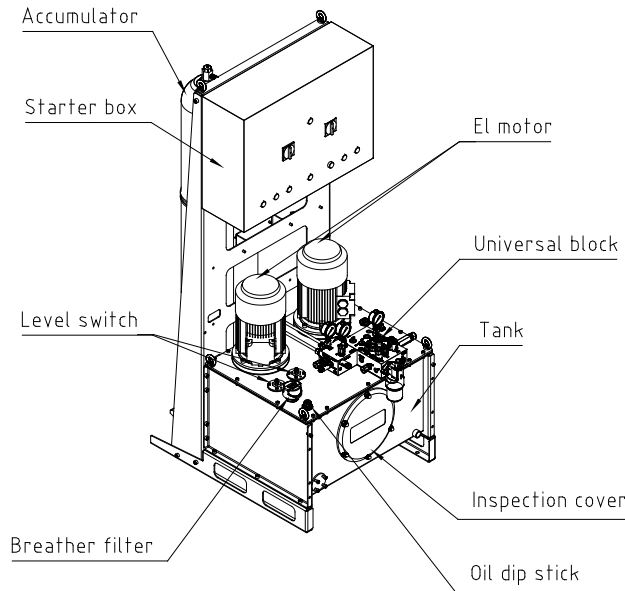
Product Data Sheet

SD 6001-2E04

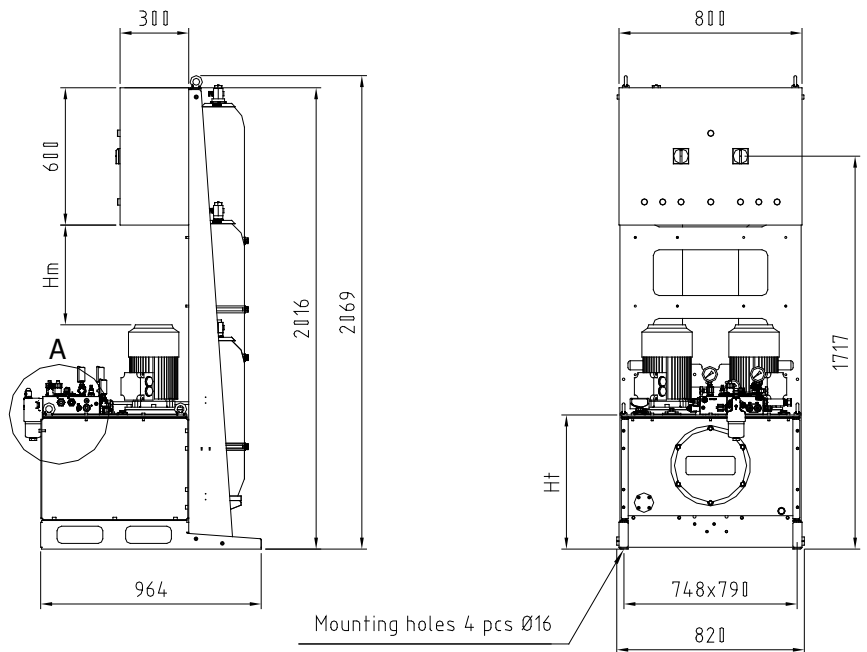
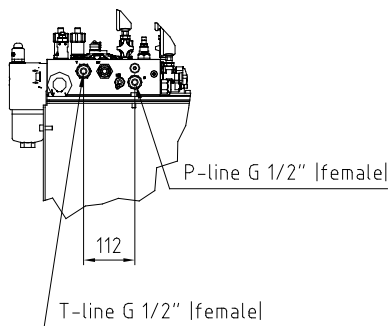
June 2009

Damcos® SPU - Model A

Dimensions:

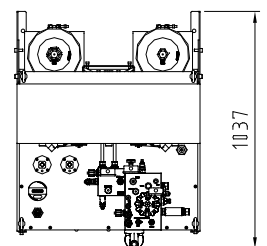


A (2:1)



Variable dimensions:

Ht:	-100 L: 586
	-200 L: 811
Hm:	-100L04K / P4: 232
	-112M04 / P6: 211
	-112M04V / P9: 211



Damcos® SPU - Model A

The Emerson logo is a trademark and service mark of Emerson Electric Co. Damcos and the Damcos logotype are registered trademarks of Damcos A/S. All rights reserved. The contents of this publication are presented for information purposes only, and while effort has been made to ensure their accuracy, they are not to be construed as warranties or guarantees, expressed or implied, regarding the products or services described herein or their use or applicability. All sales are governed by our terms and conditions, which are available upon request. We reserve the right to modify or improve the designs and specifications of our products at any time without notice. Damcos A/S accepts no responsibility for any errors that may appear in this publication.

This product is developed and managed by:
Emerson Process Management

Damcos A/S
Aaderupvej 41
DK-4700 Naestved
T +45 5578 7200
F +45 5578 7272

For global contacts:
www.EmersonProcess.com/marine