

# Rosemount 1199

## EXTENDED FLANGED (EFW) SEAL

Drawings represent the standard offering. Dimensional drawings may vary when ordering special shaded options. Contact an Emerson Process Management representative if dimensional drawings are required for special order configuration.

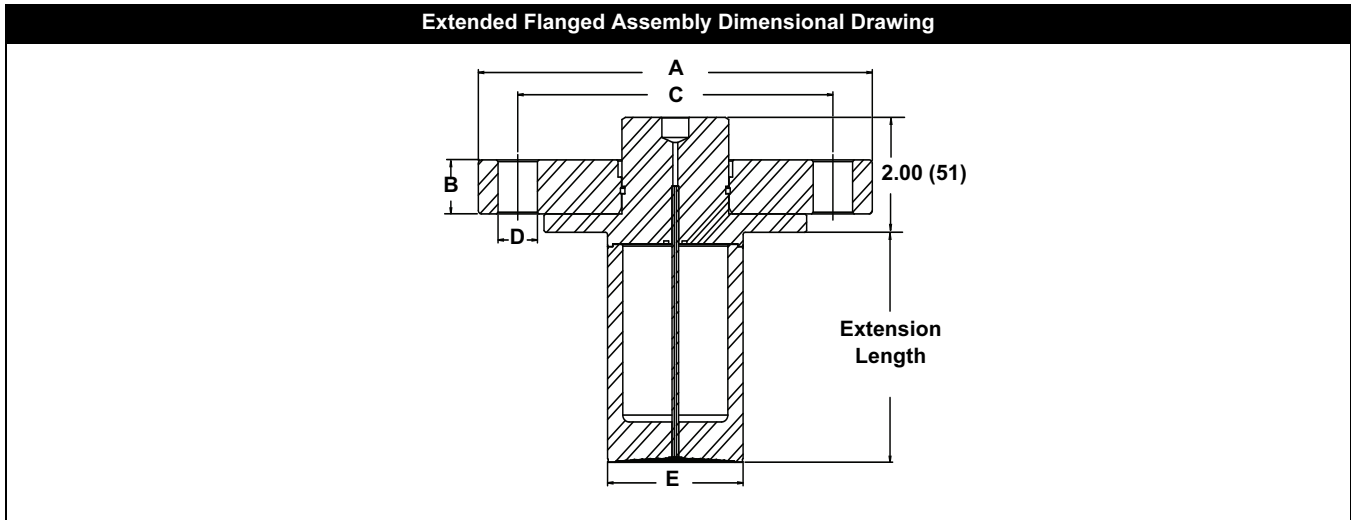


TABLE 26. EFW Dimensions<sup>(1)</sup>

	Pipe Size	Class	Flange Diameter "A"	Flange Thickness "B"	Bolt Circle "C"	Bolts	Bolt Hole Diameter "D"
<b>ANSI / ASME / JIS</b>	2-in.	150 lb.	6.00 (152)	0.69 (18)	4.75 (121)	4	0.75 (19)
		300 lb.	6.50 (165)	0.82 (21)	5.00 (127)	8	0.75 (19)
		600 lb.	6.50 (165)	1.00 (25)	5.00 (127)	8	0.75 (19)
	3-in.	150 lb.	7.50 (191)	0.88 (22)	6.00 (125)	4	0.75 (19)
		300 lb.	8.25 (210)	1.06 (27)	6.62 (168)	8	0.88 (22)
		600 lb.	8.25 (210)	1.25 (32)	6.62 (168)	8	0.88 (22)
	4-in.	150 lb.	9.00 (229)	0.88 (22)	7.50 (191)	8	0.75 (19)
		300 lb.	10.00 (254)	1.19 (30)	7.88 (200)	8	0.88 (22)
		600 lb.	10.75 (273)	1.50 (38)	8.50 (216)	8	1.00 (25)
<b>DIN</b>	DN 50	PN 40	6.50 (165)	0.79 (20)	4.92 (125)	4	0.71 (18)
		PN 64	7.08 (180)	1.02 (26)	5.31 (135)	4	0.87 (22)
		PN 100	7.68 (195)	1.10 (28)	5.71 (145)	4	1.02 (26)
	DN 80	PN 40	7.87 (200)	0.94 (24)	6.30 (160)	8	0.71 (18)
		PN 64	8.46 (215)	1.10 (28)	6.69 (170)	8	0.88 (22)
		PN 100	9.06 (230)	1.26 (32)	7.09 (180)	8	1.02 (26)
	DN 100	PN 16	8.66 (220)	0.79 (20)	7.09 (180)	8	0.71 (18)
		PN 40	9.25 (235)	0.94 (24)	7.48 (190)	8	0.87 (22)
		PN 64	9.84 (250)	1.18 (30)	7.87 (200)	8	1.02 (26)

(1) Dimensions are in inches (millimeters).

Process Connection Size	Diameter (E)
3 in. Sch. 80	2.580 (66)
4 in./DN 100 Sch. 80	3.500 (89)
DN 80	2.990 (76)
3 in. Headbox (Code H)	2.875 (74)
4 in. Headbox (Code K)	3.780 (97)
3 in. Sch. 40	2.850 (73)
4 in. Sch. 40	3.700 (94)
2 in.	1.900 (49)
1 ½ in.	1.450 (37)

TABLE 27. Extended Flanged Seal (EFW) Ordering Information

Code		Industry Standard				● = Available		— = Unavailable				
A	ANSI/ASME B16.5 (American National Standards Institute/American Society of Mechanical Engineers)											
D	DIN (Deutsches Institut für Normung)											
J	JIS (Japanese Industrial Standards)											
Code		Process Connection Style										
EFW <sup>(1)</sup>	Extended Flanged Seal											
Code		Process Connection Size										
	ANSI	DIN	JIS	Extension Diameters								
7	3 in. (Schedule 80)	DN 80	80 A	2.580 (66)								
9	4 in. (Schedule 80)	DN 100	100 A	3.500 (89)								
J	3 in.	DN 80	80 A	2.990 (76)								
4	1½ in	DN 40	40 A	1.450 (37)								
G	2 in.	DN 50	50 A	1.900 (49)								
R	3 in. (Schedule 40)	DN 80	80 A	2.850 (73)								
H	3 in. (Headbox)	DN 80	80 A	2.875 (74)								
T	4 in. (Schedule 40)	DN 100	100 A	3.700 (94)								
K	4 in. (Headbox)	DN 100 Headbox	100 A	3.780 (97)								
Code		Maximum Working Pressure (Flange Rating)										
	ANSI	DIN	JIS									
1	Class 150	—	10K									
2	Class 300	—	20K									
4	Class 600	—	40K									
G	—	PN 40 (DIN)	—									
E	—	PN 10/16 (DN 100 only)	—									
5	Class 900	—	—									
6	Class 1500	—	—									
7	Class 2500 (Not available with 4-in. Process Connection)	—	—									
H	—	PN 64 (DIN)	—									
J	—	PN 100 (DIN)	—									
						Available with Process Connection Code						
Code	Diaphragm Material	Extension/ Gasket Surface	Upper Housing	Mounting Flange	7	9	J	4	G	H	T	K
DA	316L SST	316L SST	316L SST	316 SST	●	●	●	●	●	●	●	●
CA	316L SST	316L SST	316L SST	Carbon Steel	●	●	●	●	●	●	●	●
DB	Hastelloy C-276	Hastelloy C-276	316L SST	316 SST	●	●	●	●	●	●	●	●
CB	Hastelloy C-276	Hastelloy C-276	316L SST	Carbon Steel	●	●	●	●	●	●	●	●
CD <sup>(2)</sup>	Tantalum	316L SST	316L SST	Carbon Steel	●	●	●	—	—	—	—	—
DD <sup>(2)</sup>	Tantalum	316L SST	316L SST	316 SST	●	●	●	—	—	—	—	—
CC	Tantalum	Tantalum-lined	316L SST	Carbon Steel	●	●	●	—	●	—	—	—
DC	Tantalum	Tantalum-lined	316L SST	316 SST	●	●	●	—	●	—	—	—
C5	Duplex 2507 SST	Duplex 2205 SST	316L SST	Carbon Steel	●	●	●	●	●	●	●	●
D5	Duplex 2507 SST	Duplex 2205 SST	316L SST	316 SST	●	●	●	●	●	●	●	●
C9	Duplex 2507 SST	316L SST	316L SST	Carbon Steel	●	●	●	●	●	●	●	●
D9	Duplex 2507 SST	316L SST	316L SST	316 SST	●	●	●	●	●	●	●	●
CP	Nickel 201	Nickel 201	316L SST	Carbon Steel	●	●	●	●	●	●	●	●
DP	Nickel 201	Nickel 201	316L SST	316 SST	●	●	●	●	●	●	●	●
CV	Monel 400	Monel 400	316L SST	Carbon Steel	●	●	●	●	●	●	●	●
DV	Monel 400	Monel 400	316L SST	316 SST	●	●	●	●	●	●	●	●
C4	Hastelloy C-22	Hastelloy C-22	316L SST	Carbon Steel	●	●	●	●	●	●	●	●
D4	Hastelloy C-22	Hastelloy C-22	316L SST	316 SST	●	●	●	●	●	●	●	●

# Rosemount 1199

TABLE 27. Extended Flanged Seal (EFW) Ordering Information

CE	Inconel 600	Inconel 600	316L SST	Carbon Steel	●	●	●	●	●	●	●	●
DE	Inconel 600	Inconel 600	316L SST	316 SST	●	●	●	●	●	●	●	●
RH <sup>(3)</sup>	Titanium Gr. 4	Titanium Gr. 4	Titanium Gr. 4	316 SST	●	●	●	●	●	●	●	●
YR <sup>(3)</sup>	Titanium Gr. 2	Titanium Gr. 2	Titanium Gr. 2	316 SST	●	●	●	●	●	●	●	●
CM	Hastelloy C-276	316L SST	316L SST	Carbon Steel	●	●	●	●	●	●	●	●
DM	Hastelloy C-276	316L SST	316L SST	316 SST	●	●	●	●	●	●	●	●
DJ	Hastelloy B	Hastelloy B	316L SST	316 SST	●	●	●	●	●	●	●	●
CJ	Hastelloy B	Hastelloy B	316L SST	Carbon Steel	●	●	●	●	●	●	●	●

Code	Extension Length	
	ANSI/ASME	DIN
2	2 in.	(50 mm)
4	4 in.	(100 mm)
6	6 in.	(150 mm)
0	0 in.	(0 mm)
1	1 in.	(25 mm)
3	3 in.	(75 mm)
5	5 in.	(125 mm)
7	7 in.	(175 mm)
8	8 in.	(200 mm)
9	9 in.	(225 mm)

Code	Additional Fractional Extension Length	
	ANSI/ASME	DIN
0	0 in.	(0 mm)
1	1/8 in.	(2.5 mm)
2	1/4 in.	(5 mm)
3	3/8 in.	(7.5 mm)
4	1/2 in.	(10 mm)
5	5/8 in.	(12.5 mm)
6	3/4 in.	(15 mm)
7	7/8 in.	(17.5 mm)
8	—	(20 mm)
9	—	(22.5 mm)

Code	Options
3	4-in. Flange for 3-in. Diaphragm
B <sup>(4)</sup>	Extra Fill for Cold Temperature Applications
C <sup>(5)</sup>	150 μm (0.006-in.) Diaphragm Thickness (316L SST and Hastelloy C-276 diaphragms only, for abrasive applications)
V <sup>(6)</sup>	PTFE Coated Diaphragm for nonstick purposes (316L SST and Hastelloy C-276 diaphragms only)
JA	Jack bolt holes in flange
6	Add 10 in. (250 mm)
5	0.002-in. Diaphragm Thickness (316L SST and Hastelloy C-276)
T <sup>(7)</sup>	NACE MR0175/ISO 15156, MR0103
U	25 μm (0.001 in) Gold Plated Diaphragm

- (1) Shaded areas indicate special orders. Consult an Emerson Process Management representative for configuration availability, performance effects, and lead time.
- (2) Available with Extension Length options 2, 4, or 6. Consult an Emerson Process Management representative for other extension lengths.
- (3) Not available with welded capillary or direct mount connections.
- (4) For seal assemblies that will be used in cold ambient temperature applications, contact an Emerson Process Management representative or reference Instrument Toolkit for assistance.
- (5) May cause adverse seal temperature effects. Consult an Emerson Process Management representative for assistance.
- (6) Not available with transmitter option code Q8, for Material Traceability per DIN EN10204 3.1.B of the transmitter/diaphragm seal assembly.
- (7) Materials of Construction comply with metallurgical requirements highlighted within NACE MR0175/ISO 15156 for sour oil field production environments. Environmental limits apply to certain materials. Consult latest standard for details. Selected materials also conform to NACE MR0103 for sour refining environments.