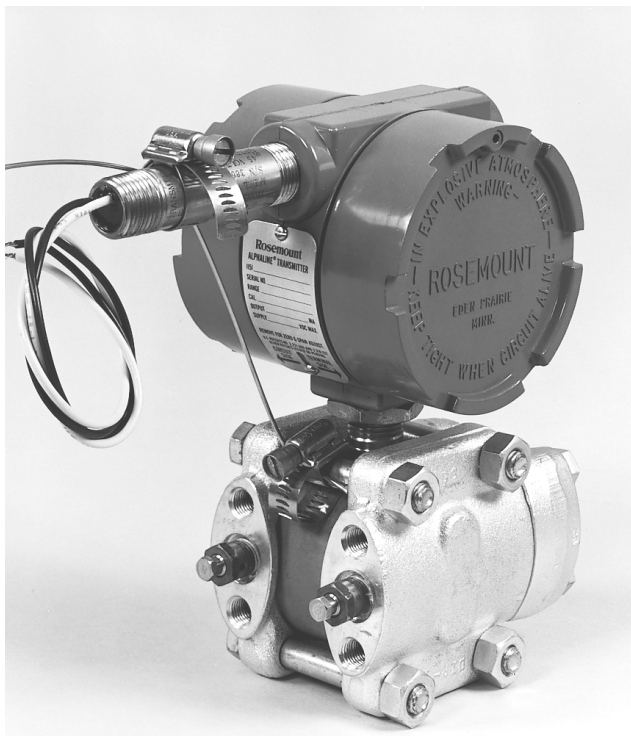


Rosemount 470 Transient Protector



CE

- For field-mounted transmitters
- Prevents lightning damage
- Rated for repeated strikes up to 5,000 amps
- Functions under severe environmental conditions
- May be used with cathodic protection

Introduction

The Rosemount 470 Transient Protector prevents damage from transients induced by lightning, welding, heavy electrical equipment, or switch gears. The Rosemount 470 continues to protect transmitters even after repeated strikes of up to 5,000 amps. In laboratory simulated lightning tests, the Rosemount 470 withstood 2,000 amps or 10,000 volts without damage to either the transient protector or the transmitter.

Models 470D and 470C are designed to protect two-wire transmitters that are capable of withstanding 120 volts from lead to case, and can also be used to protect the receiver or RTU. Models 470L and 470J are designed to protect low power or other three-wire transmitters.

The weatherproof, stainless steel-cased protector functions under severe environmental conditions including high temperature and humidity.

Operation

The Rosemount 470 Transient Protector consists of separate circuits—one for each lead wire (excluding the green ground wire) epoxy-sealed inside a 1/2–14 NPT stainless steel pipe nipple for direct mounting to a transmitter. Each signal lead uses an identical protector circuit consisting of a gas-filled spark gap, an inductor, and a fast-response bipolar zener diode.

A high-voltage transient appearing on any field signal wire is conducted to the case through the gas-filled spark gap. This device conducts large currents, but has a slow reaction time. The fast-rising portion of the transient is conducted to the case through the zener diode, which has a fast reaction time. The inductor limits the diode current during the time required for the spark gap to conduct.

The bypass wire connected between the protector case and instrument case ensures that both remain at the same potential, thus preventing dielectric breakdown inside the protected device.

Once the spark gap has begun to conduct, it will continue to do so unless the instrument power supply limits current to 0.5 amps or less. A 47-ohm quenching resistor can be added to prevent conduction after the transient has discharged.

The green lead used in the Model 470C or 470J is connected directly to the protector case, and is used only in those instances where a separate instrument case ground is desired. It cannot be used to replace the bypass wire, and cannot be used in cathodically protected installations.

This protector is intended to protect only the instrument being bypassed, and is not a safety device. To prevent damage or injury to other equipment or to personnel in event of a nearby lightning strike, the equipment to which the protector is bypassed must be well-grounded in accordance with the National Electrical Code (ANSI C2-1977), the Lightning Protection Code (NFPA 78-1968; ANSI C5.1-1969), and Section 9 of the National Electric Safety Code (ANSI C2-1984).

Content

Ordering Information	3	Product Certifications	5
Specifications	4	Dimensional Drawings	6

Ordering Information

Specification and selection of product materials, options, or components must be made by the purchaser of the equipment. See [page 4](#) for more information on Material Selection.

Table 1. Rosemount 470 Transient Protector Ordering Information

★ The Standard offering represents the most common options. The starred options (★) should be selected for best delivery.

The Expanded offering is subject to additional delivery lead time.

Model	Product description
470D	Transient Protector; 4-20MA, 3½-in. Nipple length
470C	Transient Protector; 4-20MA; with Ground Wire 3½-in. Nipple length
470L	Transient Protector; Max. Supply Voltage 45, 5-in. Nipple length
470J	Transient Protector; Low Power; with Ground Wire 5-in. Nipple length
Code	Loop resistance
1	20 Ohms Max
1	1 Ohm Per Lead; Max
Code	Options
NA	No Approval Required
E6	CSA Explosion-Proof Approval ⁽¹⁾
I6	CSA Intrinsic Safety Approval
Typical model number: 470D 1 NA	

(1) Unavailable with 470D and 470L.

Specifications

Material selection

Emerson provides a variety of Rosemount product with various product options and configurations including materials of construction that can be expected to perform well in a wide range of applications. The Rosemount product information presented is intended as a guide for the purchaser to make an appropriate selection for the application. It is the purchaser's sole responsibility to make a careful analysis of all process parameters (such as all chemical components, temperature, pressure, flow rate, abrasives, contaminants, etc.), when specifying product, materials, options and components for the particular application. Emerson Process Management is not in a position to evaluate or guarantee the compatibility of the process fluid or other process parameters with the product, options, configuration or materials of construction selected.

Temperature limits

-40 to 212 °F (-40 to 100 °C)

Humidity limits

0 to 100% relative humidity

Maximum clamping voltage

Any lead to case⁽¹⁾

dc

68 V

100 kV/microsecond surge

70 V peak

1,000 kV/microsecond surge

120 V peak

Transient surge current⁽¹⁾

Up to 5,000 amps for 20 microseconds—repeated strikes

470D and 470C transient protector

Transmitter output compatibility

4–20 mA

Transmitter power supply

45 V dc maximum

Loop resistance added by protector⁽¹⁾

20 ohms maximum

470L and 470J transient protector

Transmitter output compatibility

4–20 mA (regular power)

0.8 to 3.2 V (low power)

1.0 to 5.0 V (low power)

Transmitter power supply

45 V dc maximum, 5 V dc minimum

Loop resistance added by protector⁽¹⁾

1 ohm per lead maximum

(1) Tested under reference operating conditions.

Product Certifications

Approved Manufacturing Locations

Emerson Process Management Rosemount Division -
Chanhassen, Minnesota, USA

Rosemount Temperature GmbH - Germany

Emerson Process Management Asia Pacific - Singapore

Hazardous Locations Certifications

North American Certifications

Canadian Standards Association (CSA) Approvals

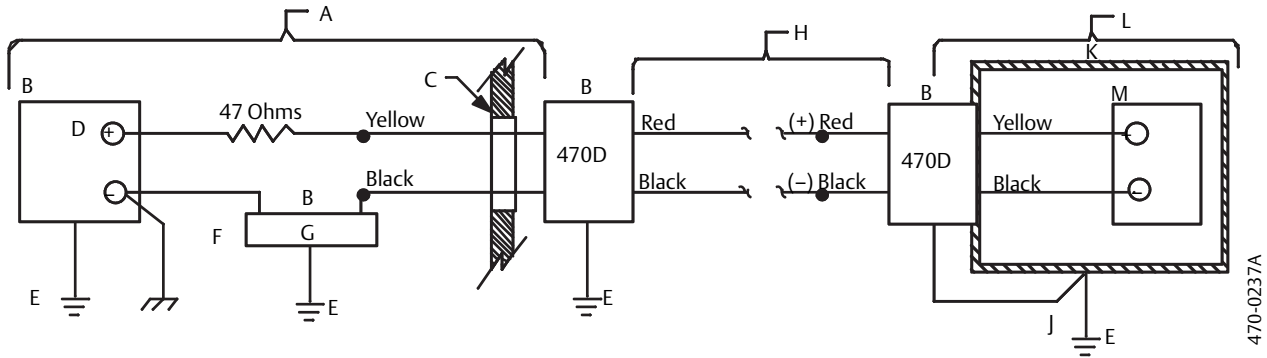
- E6 Explosion-Proof for Class I, Division 1, Groups C and D;
Class II, Division 1, Groups E, F, and G; Class III, Division 1
hazardous locations;
Class I Division 2 Groups A, B, C, and D.
CSA Enclosure Type 4. Factory Sealed.
- I6 Intrinsic Safety for Class I, Division 1, Groups A, B, C, and D.
Intrinsic safety approval only when used with the barrier
parameter in Table 2.
CSA Enclosure Type 4.

Table 2. CSA Entity Approvals

Barrier manufacturer/model	CSA Approved for Class 1, Division 1, Groups			
	A	B	C	D
Any CSA approved zener barrier ≤ 30 V, ≥ 330 Ω or ≤ 28 V, ≥ 300 Ω or ≤ 22 V, ≥ 180 Ω	•	•	•	•
Foxboro Converters 2AI-I2V-CGB, 2AI-I3V-CGB 2AS-I3I-CGB, 2AS-I2I-CGB 3AD-I3IA-CS-E / CGB-A 3A2-I2D-CS-E / CGB-A 3A2-I3D-CS-E / CGB-A 3A4-I2DA-CS-E / CGB-A 3F4-I2DA1-CS-E / CGB-A	N/A	•	•	•

Dimensional Drawings

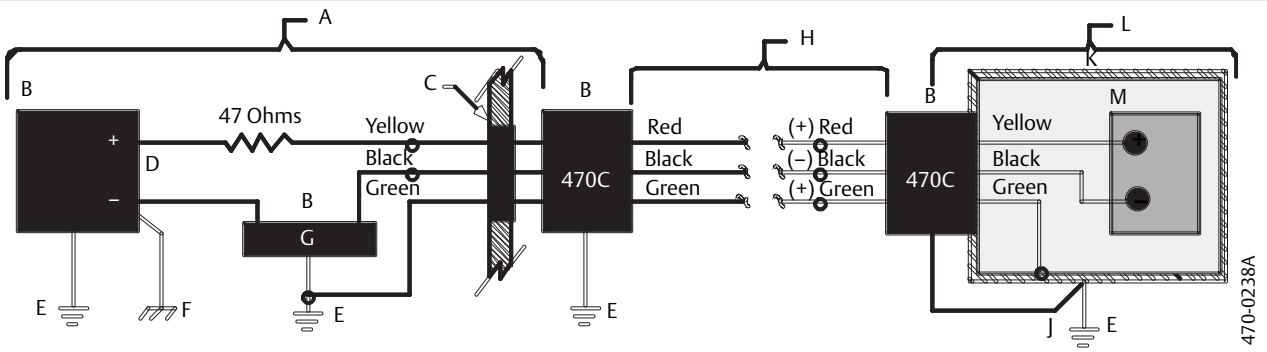
Installation Schematic for Two-Wire Transmitter and Control Room Equipment Using Two Rosemount 470D Transient Protectors



470-0237A

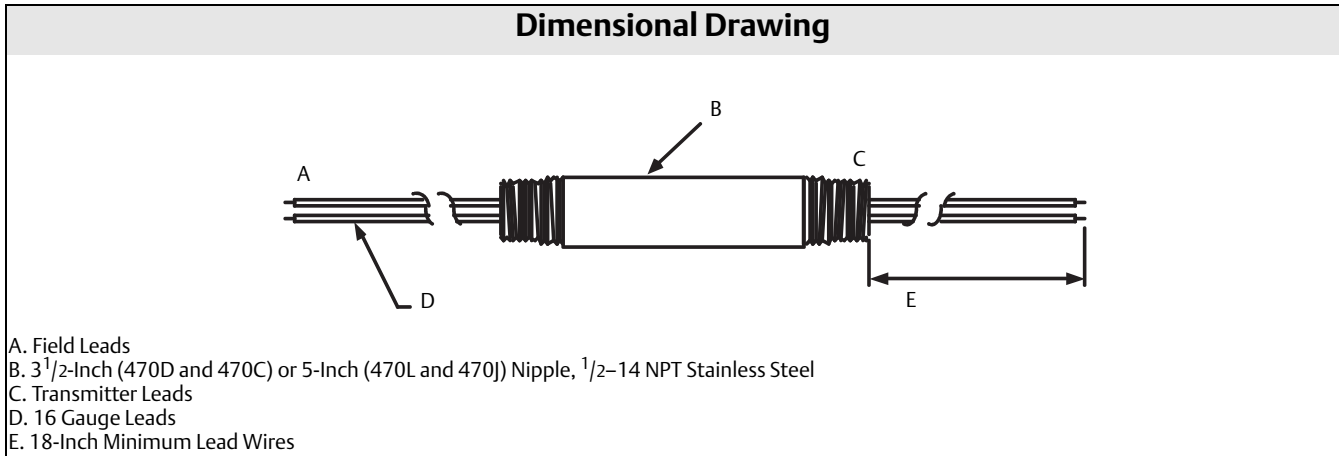
- A. Protected
- B. Case
- C. Control Room Wall
- D. dc Power Supply
- E. Earth Ground
- F. Signal Loop Ground (optional)
- G. Receiver
- H. Field Leads
- J. Bypass Wire
- K. Transmitter Case
- L. Protected
- M. Two Wire

Installation Schematic for Two-Wire Transmitter and Control Room Equipment Using Two Rosemount 470C Transient Protectors



470-0238A

- A. Protected
- B. Case
- C. Control Room Wall
- D. dc Power Supply
- E. Earth Ground
- F. Signal Loop Ground (optional)
- G. Receiver
- H. Field Leads
- J. Bypass Wire
- K. Transmitter Case
- L. Protected
- M. Two Wire



Emerson Process Management

Rosemount Inc.
8200 Market Boulevard
Chanhassen, MN 55317 USA
T (U.S.) 1-800-999-9307
T (International) (952) 906-8888
F (952) 906-8889
www.rosemount.com

Emerson Process Management

Blegistrasse 23
P.O. Box 1046
CH 6341 Baar
Switzerland
T +41 (0) 41 768 6111
F +41 (0) 41 768 6300
www.rosemount.com

Emerson Process Management

Asia Pacific Pte Ltd
1 Pandan Crescent
Singapore 128461
T +65 6777 8211
F +65 6777 0947
Service Support Hotline: +65 6770 8711
Email: Enquiries@AP.EmersonProcess.com
www.rosemount.com

Emerson Process Management

Latin America
1300 Concord Terrace, Suite 400
Sunrise, Florida 33323 USA
T + 1 954 846 5030
www.rosemount.com

Standard Terms and Conditions of Sale can be found at www.rosemount.com/terms_of_sale

The Emerson logo is a trade mark and service mark of Emerson Electric Co.
Rosemount and the Rosemount logotype are registered trademarks of Rosemount Inc.
All other marks are the property of their respective owners.
© 2014 Rosemount Inc. All rights reserved.