

# Vision 17 / 19 / 24

## Vision Monitors Series



# Introduction

The Vision Monitors covers the range from 17” to 24” with formats of 5:4 in the Vision 17 and 19 and 16:9 in the Vision 24.

All monitors are equipped with wide angle view, full dimming, front mounted buzzer and touch screen.

The Vision monitor 19” and 24” all have splash-proof fronts when mounted in panels/consolas and have front mounting for easy fitting into consolas.

All of the monitors can be mounted with the Vision CPU on back.

Tilt-adjustable stands are available for all sizes.

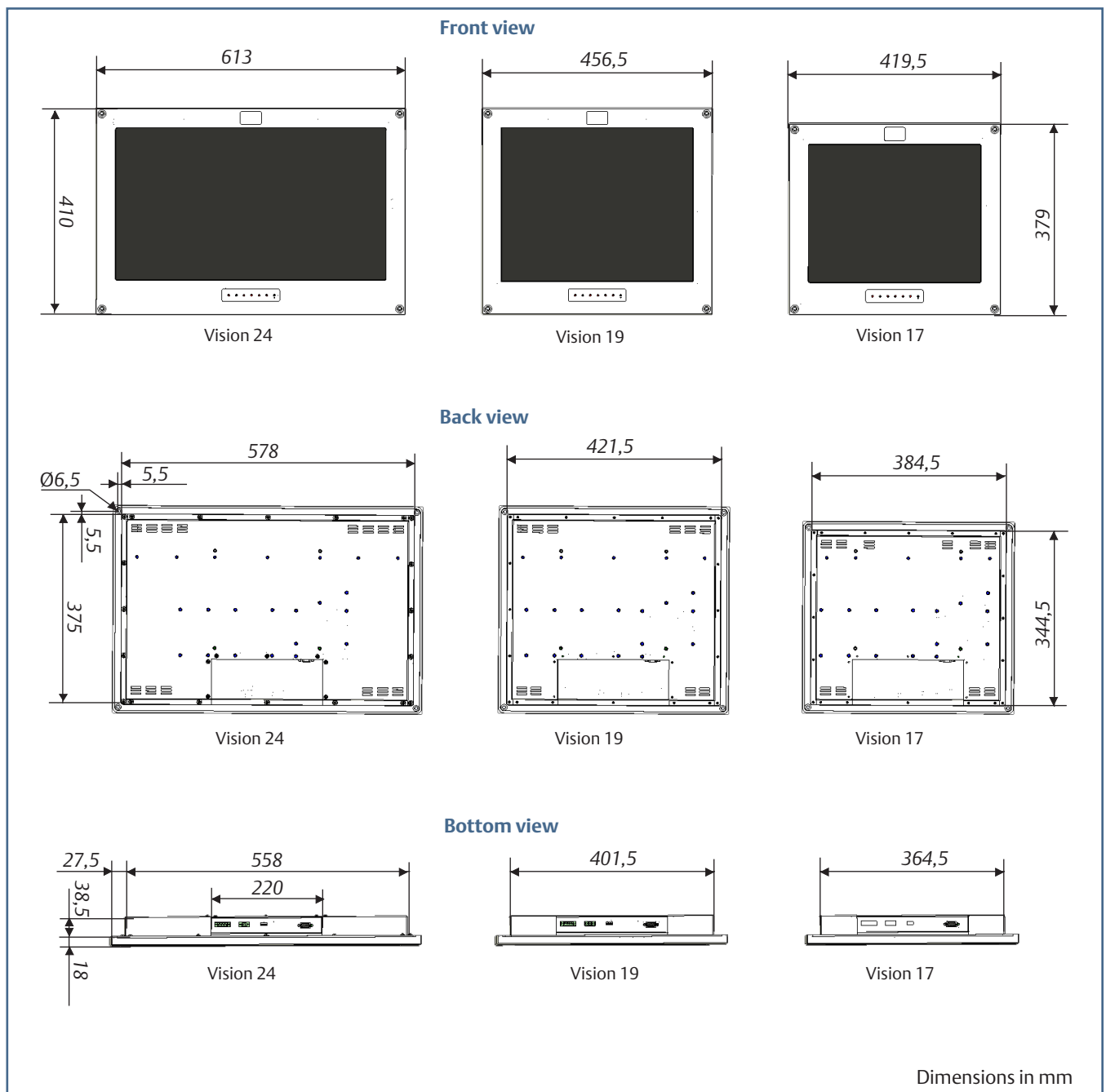


## Features

- Robust design adapted for the marine environments
- Various installation possibilities in a panel or on a console or desk
- All monitors are available with touch screen
- 24 VDC (Optional 230 VAC, as an external 230 VAC to 24 VDC PSU)

Item/Type	No.	Description
Vision 17	165B9165	17” Monitor
Vision 19	165B9163	19” Monitor
Vision 24	165B9177	24” Monitor
Vision 17 Touch	165B9166	17” Touch-screen Monitor
Vision 19 Touch	165B9164	19” Touch-screen Monitor
Vision 24 Touch	165B9162	24” Touch-screen Monitor
<b>Accessories</b>		
Vision USB cable	165B9072	USB touch-Cable 1.8 m
Vision USB cable (CPU)	165B9075	USB touch-Cable 20cm (when mounted with Vision CPU on back)
Vision 19/24 Stand	165B9167	Stand for Vision 19/24
Vision 17 Stand	165B9170	Stand for Vision 17
Vision display cable	165B9172	Display cable 1.8m
Vision display cable (CPU)	165B9173	Display cable 20cm (when mounted with Vision CPU on back)

## Dimensions - Vision 17 / 19 / 24



### Panel cut-outs

Vision 17: (W) 384.5 x (H) 344.5 mm

Vision 19: (W) 421.5 x (H) 375 mm

Vision 24: (W) 578 x (H) 375 mm

Corner holes placement are the same for all monitors, 5.5 x 5.5 mm to cut-out dimensions.

Corner  $\varnothing$ -hole is 6.5 mm or 10 mm, if expansion nut is used.

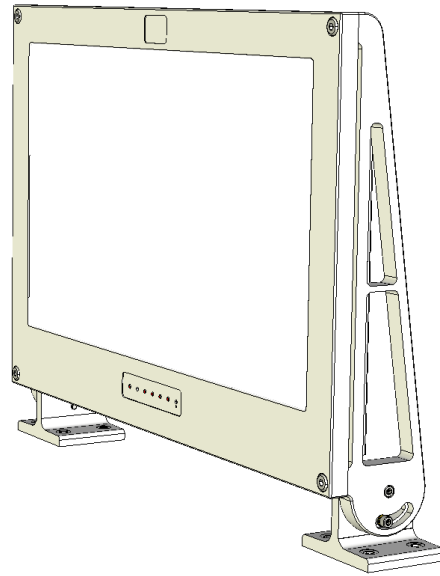
## Vision Stand Mounting

The stand is type approved to carry all monitors with the Vision CPU mounted on the back. Also the stand can carry the monitors reversed thus enabling ceiling mounting.

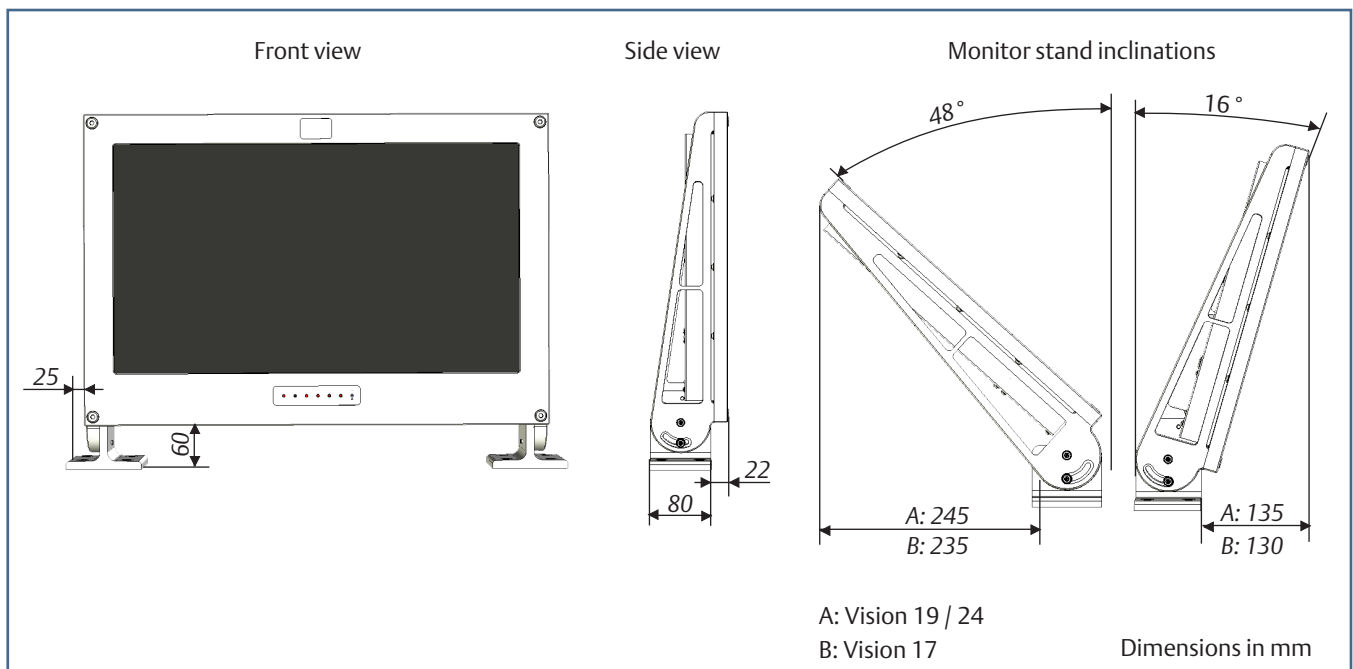
Adjustments of the inclination of the stand is done with a standard metric 5 mm Hex-tool.

### Mounting Considerations

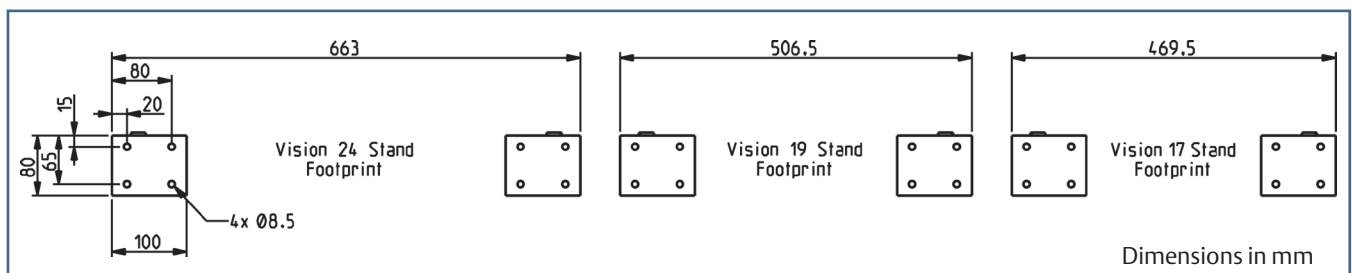
The stand is approved according to the IACS-E10 / IEC-60945, but require that the mounting base (table, panel, ceiling) is of equal mechanical sturdiness, or if mounted in soft structure, that it is placed in an environment where severe vibrations do not occur.



## Vision Stand General



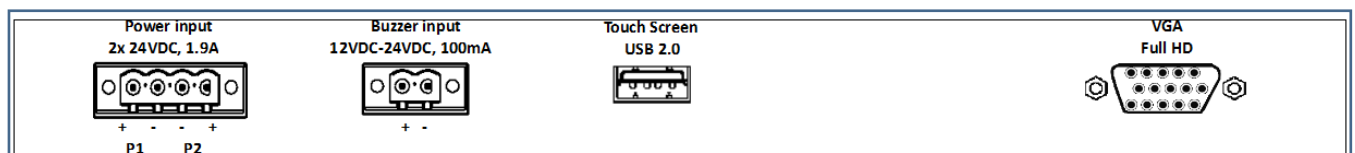
## Vision Stand Cut-out for Vision 17 / 19 / 24



# Technical Specifications

	Vision 17	Vision 19	Vision 24
<b>Display specifications</b>	HQ TFT with LED backlight MVA LCD technology (wide view angle, except for Vision 17 (TN))		
<b>Native display resolution</b>	1280x1024, 5:4	1280x1024, 5:4	1920x1080, 16:9
<b>Supported display resolutions</b>	VGA: 640x480 SVGA: 800x600 XGA: 1024X768 SXGA: 1280X1024	VGA: 640x480 SVGA: 800x600 XGA: 1024X768 SXGA: 1280X1024	VGA: 640x480 SVGA: 800x600 XGA: 1024X768 SXGA: 1280X1024 UXGA: 1600x1200 FHD: 1920x1080 WUXGA: 1920x1200
<b>Input connectors</b>	VGA, D-SUB15 USB Type A for Touch screen connection Buzzer input, 2-pin terminal-block (Phoenix, 5,08 pitch, screwmount) Power input, 4-pin terminal-block (Phoenix, 5,08 pitch, screwmount)		
<b>Monitor controls</b>	On Screen Display with buttons on front: - Power on/off and screen adjustments - Hot-keys: Dimming and Auto-adjustment - LED indication for: Power on (Green), Power off (Red), no signal (Yellow)		
<b>Front mounted buzzer and input</b>	80 dba waterproof piezo buzzer Input: 5 VDC to 32 VDC, max 60mA		
<b>Power supply and consumption</b>	Power input: 2x24 VDC, (18 - 32VDC, common ground) 28 W full brightness      35 W full brightness      43 W full brightness		
<b>Size (WxHxD)</b>	419.5x379x38.5 mm	456.5x410x38.5 mm	613x410x38.5 mm
<b>Weight</b>	7 kg	8 kg	11 kg
<b>Enviromental specifications</b>	Operating: +5°C to +55°C, 95% Humidity (for maximum lifespan, an operation temp. from +5°C to +40°C is recommended) Storage: +5°C to +60°C, 95% Humidity		
<b>IP-rating</b>	At front, IP34 At back, IP22		
<b>Approvals</b>	Conform to IACS-E10 (2006) and IEC60945 (EN 60945;2002) To be type approved by DNV-GL, LR, BV, ABS, KR, RINA and CCS		

## I/O Panel - Connectors and LED's



**Emerson Process Management**

Damcos A/S  
Aaderupvej 41  
DK-4700 Naestved  
T +45 5578 7200  
F +45 5578 7272

[www.EmersonProcess.com/mtm](http://www.EmersonProcess.com/mtm)

**Emerson Process Management**

Rosemount Tank Radar AB  
Box 13045  
SE-40251 Sweden  
T +46 31 337 00 00  
F +46 31 25 30 22

[www.EmersonProcess.com/mtm](http://www.EmersonProcess.com/mtm)

©2015 Emerson Process Management. All rights reserved.

The Emerson logo is a trademark and service mark of Emerson Electric Co. Damcos® and the Damcos logotype are registered trademarks of Damcos A/S, Rosemount® and the Rosemount logotype are registered trademarks of Rosemount Inc. Damcos A/S and Rosemount Tank Radar AB are members of the Emerson Process Management family of companies. All other marks are the property of their respective owners.

The contents of this publication are presented for information purposes only, and while effort has been made to ensure their accuracy, they are not to be construed as warranties or guarantees, expressed or implied, regarding the products or services described herein or their use or applicability. Standard Terms and Conditions of Sale can be issued by contacting Damcos A/S or Rosemount Tank Radar AB. We reserve the right to modify or improve the designs and specifications of our products at any time without notice.

Damcos A/S and Rosemount Tank Radar AB accepts no responsibility for any errors that may appear in this publication.