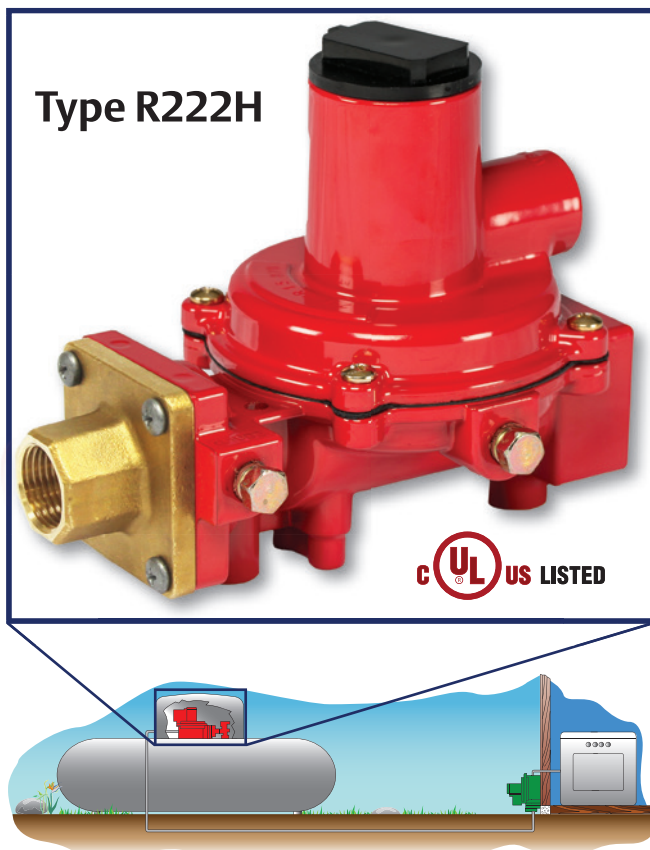


Fisher™ Type R222H Compact First Stage Residential Regulator

Adjustable Full Size Flow in a Compact Profile.



Type R222H is the industry's highest flow first stage residential regulator that comes in a compact size. It is perfect for underground tanks or limited dome spaces.

- ✓ 65% greater flow than typical compact regulators
- ✓ 40% smaller footprint for underground tanks or limited dome space
- ✓ Multiple end connections – FPOL, 1/2 in. and 3/4 in.
- ✓ Adjustable spring ranges at 5 and 10 psi set points
- ✓ Engineered for flow, setpoint accuracy and complete shutoff at -40°F / -40°C.
- ✓ Greater stability at higher flow and inlet pressures
- ✓ High capacity internal relief that exceeds UL® standards
- ✓ Double Failure Overpressure Protection
- ✓ Every unit manufactured and tested in an Emerson™ / Fisher facility

UL® approved for LPG

| Type | Capacities - Propane (btu/hr) ⁽¹⁾ | Connection, Inlet x Outlet | Outlet Pressure Setting | | Outlet Pressure Range | | Nominal Relief Valve Start-to-Discharge | |
|-----------|--|----------------------------|-------------------------|------|-----------------------|--------------|---|------|
| | | | psig | bar | psig | bar | psig | bar |
| R222H-BGK | 1,700,000 | 1/2 x 1/2 in. FNPT | 5 | 0.34 | 4 to 6 | 0.28 to 0.41 | 9 | 0.62 |
| R222H-BGJ | 1,800,000 | | 10 | 0.69 | 8 to 12 | 0.55 to 0.82 | 16 | 1.10 |
| R222H-HGK | 1,700,000 | FPOL x 1/2 in. FNPT | 5 | 0.34 | 4 to 6 | 0.28 to 0.41 | 9 | 0.62 |
| R222H-HGJ | 1,800,000 | | 10 | 0.69 | 8 to 12 | 0.55 to 0.82 | 16 | 1.10 |
| R222H-JGK | 1,875,000 | FPOL x 3/4 in. FNPT | 5 | 0.34 | 4 to 6 | 0.28 to 0.41 | 9 | 0.62 |
| R222H-JGJ | 1,875,000 | | 10 | 0.69 | 8 to 12 | 0.55 to 0.82 | 16 | 1.10 |
| R222H-DGK | 2,000,000 | 3/4 x 3/4 in. FNPT | 5 | 0.34 | 4 to 6 | 0.28 to 0.41 | 9 | 0.62 |
| R222H-DGJ | 2,000,000 | | 10 | 0.69 | 8 to 12 | 0.55 to 0.82 | 16 | 1.10 |

1. Capacities are based on 30 psig / 2.07 bar inlet pressure and 20% droop.

UL® is a mark owned by Underwriters Laboratories.

FISHER™

www.fisherregulators.com
1-800-558-5853

EMERSON™
Process Management

EMERSON. CONSIDER IT SOLVED.™

Fisher™ Type R222H Compact First Stage Residential Regulator

Adjustable Full Size Flow in a Compact Profile.

Type R222H first stage regulator reduces the outlet pressure to 10 psig / 0.69 bar or 5 psig / 0.34 bar to meet 2014 NFPA 58 code requirements for the inlet pressure to the second stage regulator. It is engineered for performance, durability, ease of use and safety.

ADDITIONAL BENEFITS:

- ✓ Fabric reinforced diaphragm with large molded lip for precise pressure control
- ✓ Corrosion resistant materials and protective powder coat
- ✓ Stainless steel relief valve spring, retainer clip and lever pins
- ✓ Patented double dampening clip and welded lever for stability
- ✓ Large hardened and precision machined aluminum orifice for bubble tight shut-off, more flow and minimum freeze-ups
- ✓ Removable tear off labels for easy regulator identification/documentation
- ✓ 1/8 in. NPT inlet and outlet gauge taps (no need for separate adaptor) for easy system checks
- ✓ Large wrench flats for easy installation
- ✓ Full size regulator mounting screw pattern and screws for simplified installation
- ✓ Up to 20 year service life
- ✓ Positive draining spring case with drip lip vent to eliminate its corrosion and freezing
- ✓ 100% production line tested for leakage, setpoint, lock-up, flow and start-to-discharge
- ✓ When used with a second stage R600 Series regulator, pressure downstream of the second regulator will be limited close to 2 psig / 0.14 bar, even if both regulators are damaged

SPECIFICATIONS:

Maximum Inlet Pressure: 250 psig / 17.2 bar

Temperature Capabilities: -20 to 160°F / -29 to 71°C

Approximate Weights:

with FPOL: 2.12 lbs / 961.8 g

with NPT fitting: 1.73 lbs / 784.8 g

Wide Open C_g for Relief Sizing: 37

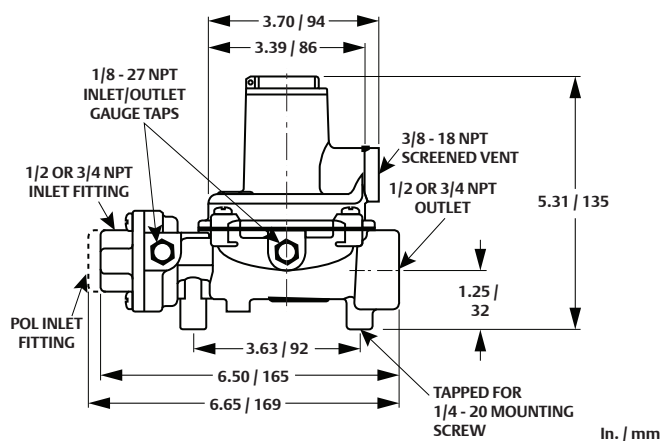
Screened Vent: 3/8 in. FNPT

Pressure Taps Size Restriction for 1/8 in. NPT:

#54 / 0.055 in. drill on outlet and inlet

Orifice Size: 0.193 in. / 4.9 mm

| Outlet Pressure Setting / Range | | Inlet Pressure | | Flow Capacities - Propane (thousand btu/hr) | | |
|---------------------------------|---------------------|----------------|------|---|----------------|---------------|
| psig | bar | psig | bar | 1/2 x 1/2 in. and FPOL x 1/2 in. | FPOL x 3/4 in. | 3/4 x 3/4 in. |
| 5 / 4 to 6 | 0.34 / 0.28 to 0.41 | 20 | 1.38 | 1400 | 1550 | 1750 |
| | | 25 | 1.72 | 1600 | 1750 | 1850 |
| | | 30 | 2.07 | 1700 | 1875 | 2000 |
| | | 50 | 3.45 | 2460 | 2950 | 3180 |
| | | 100 | 6.90 | 2950 | 4790 | 5010 |
| 10 / 8 to 12 | 0.69 / 0.55 to 0.82 | 20 | 1.38 | 1430 | 1500 | 1580 |
| | | 25 | 1.72 | 1620 | 1750 | 1895 |
| | | 30 | 2.07 | 1800 | 1875 | 2000 |
| | | 50 | 3.45 | 2650 | 3030 | 3250 |



D450378T012 © 2015, 2016 Emerson Process Management Regulator Technologies, Inc. All Rights Reserved. Printed in the U.S.A. 03/16. Fisher, Emerson Process Management, and the Emerson Process Management design are marks of one of the Emerson Process Management group of companies. All other marks are the property of their respective owners.