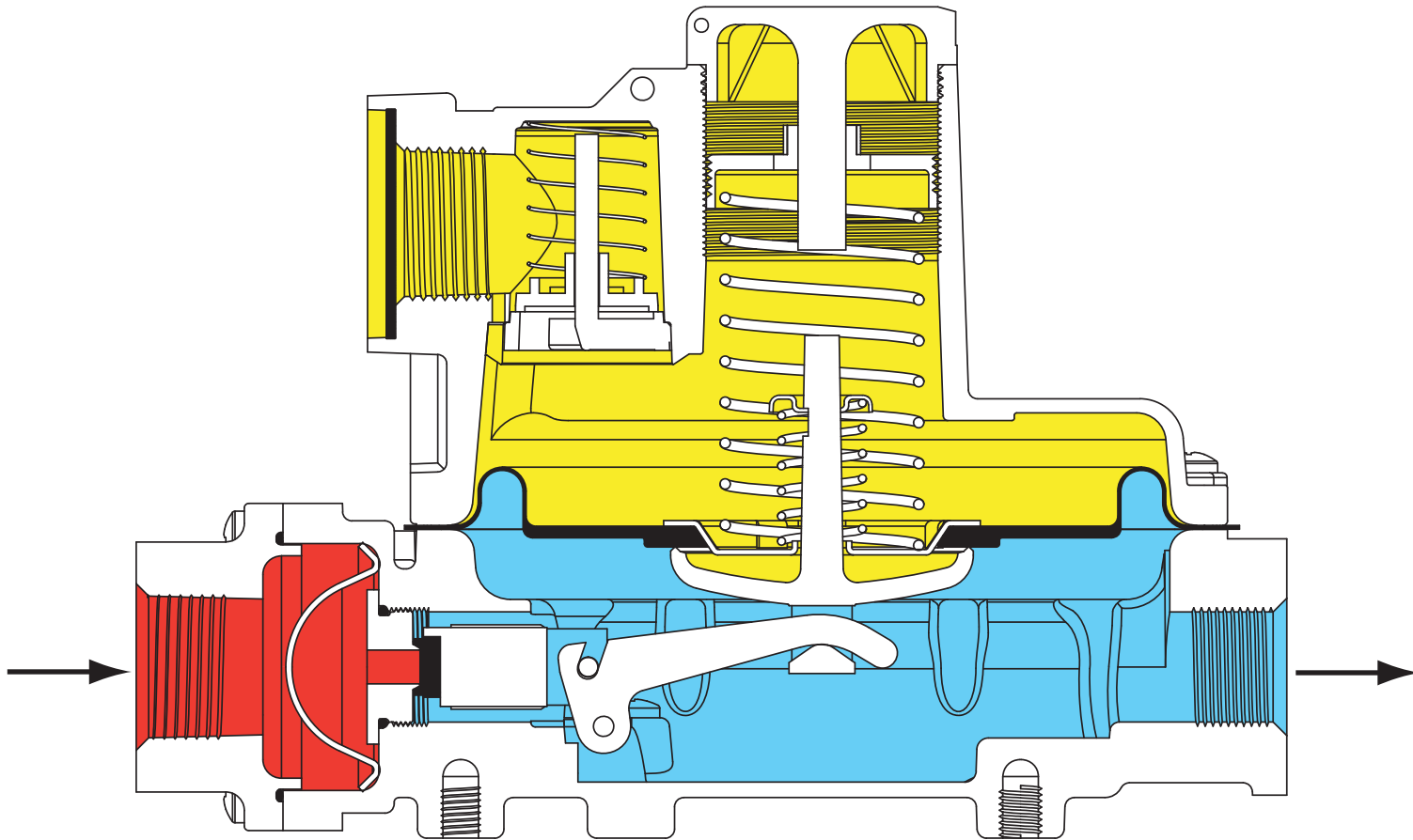


Type R622 Second-Stage Regulator



- INLET PRESSURE
- OUTLET PRESSURE
- ATMOSPHERIC PRESSURE

