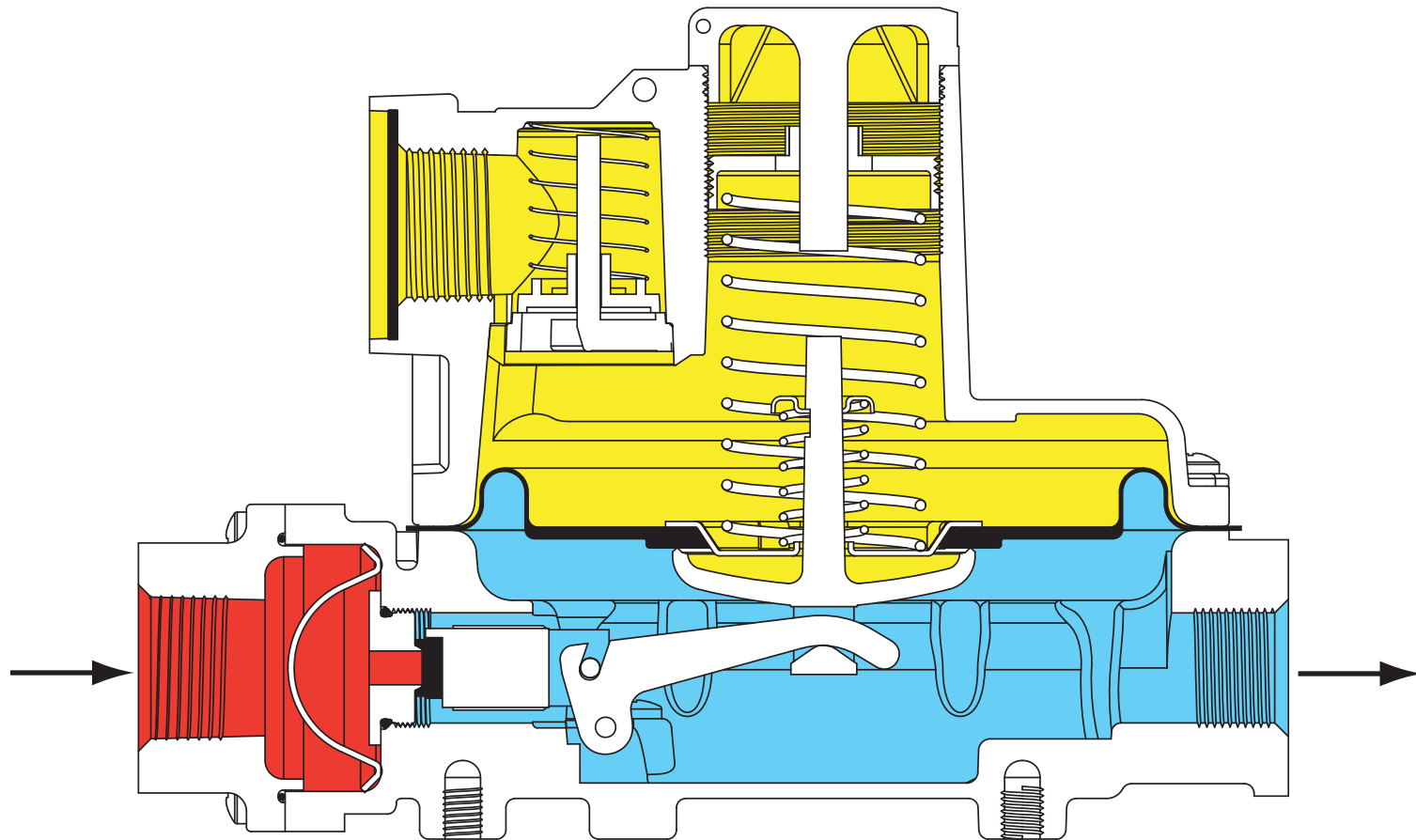


# Type R622E 2 PSI Service Regulator



- INLET PRESSURE
- OUTLET PRESSURE
- ATMOSPHERIC PRESSURE

