

Regulus 4

Regulators - Pressure Reducing

DCATLABO1204XEN2

Specifications

For other materials or modifications, please consult TESCOM.

FLUID MEDIA

Non-corrosive gases up to gas purity 5.0 (99.999 Vol %)

OPERATING PARAMETERS

Pressure rating per criteria of ANSI/ASME B31.3

Maximum Inlet Pressure

290 psig / 20.0 bar

Outlet Pressure Ranges

0.07-0.73 psig / 5-50 mbar

0.73-7.25 psig / 50-500 mbar

2.9-22 psig / 0.20-1.5 bar

14.5-58 psig / 1.00-4.0 bar

Nominal Flow

Max. 72 (m³/h air)

Operating Temperature

-4°F to 158°F / -20°C to 70°C

MEDIA CONTACT MATERIALS

Body

Aluminum

Diaphragm

Butyl Rubber with PTFE coating

Seat

NBR

OTHER

Port Types and Sizes

Inlet:

Adapter: M16 x 1.5

Body: G 3/4"

Outlet: G 1 1/4"

Gauge: G 1/2"

Relief Valve: L12, DIN 3853 (M18 x 1.5 + cone)

Connections

See Part Number Selector

Weight

9.3 lbs / 4.2 kg



TESCOM Regulus 4 dual-stage pressure reducer, with an integrated relief valve, is extremely sensitive (mbar range) for gas purity up to 5.0.

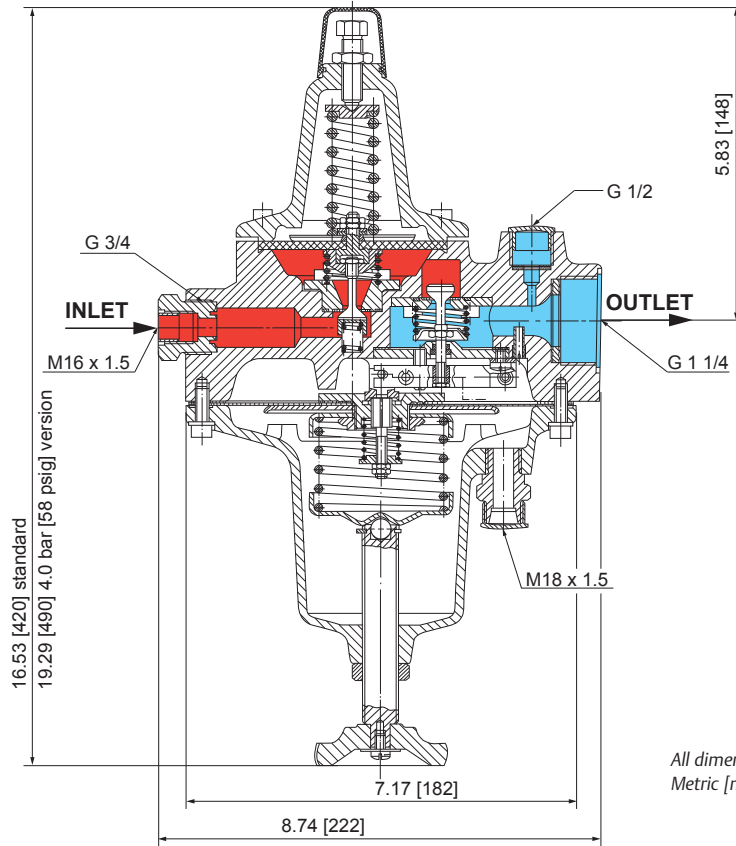
Applications

- Can be used as an in-line pressure reducer
- Suitable for non-corrosive gases
- Suitable for Oxygen service
- Commonly used in production testing

Features and Benefits

- Regulation in mbar range
- Dual-stage for constant outlet pressure
- Accurate pressure regulation
- High flow up to 1200 SLPM (air)
- Integrated relief valve

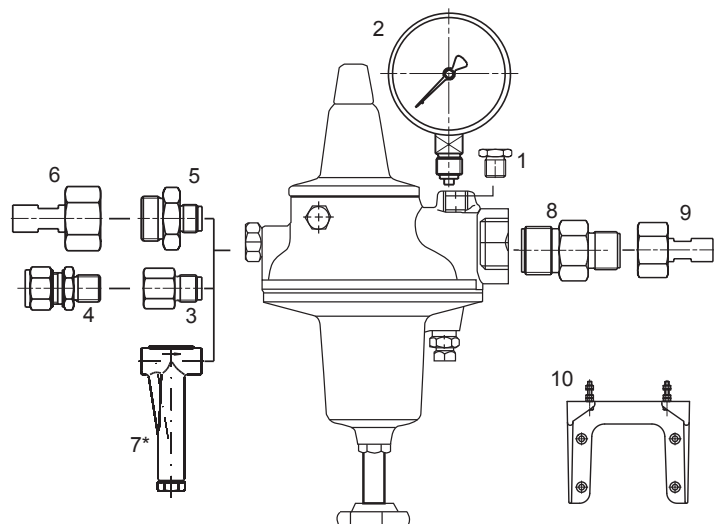
Regulus 4 Regulator Drawing



All dimensions are reference & nominal
Metric [millimeter] equivalents are in brackets

Accessories

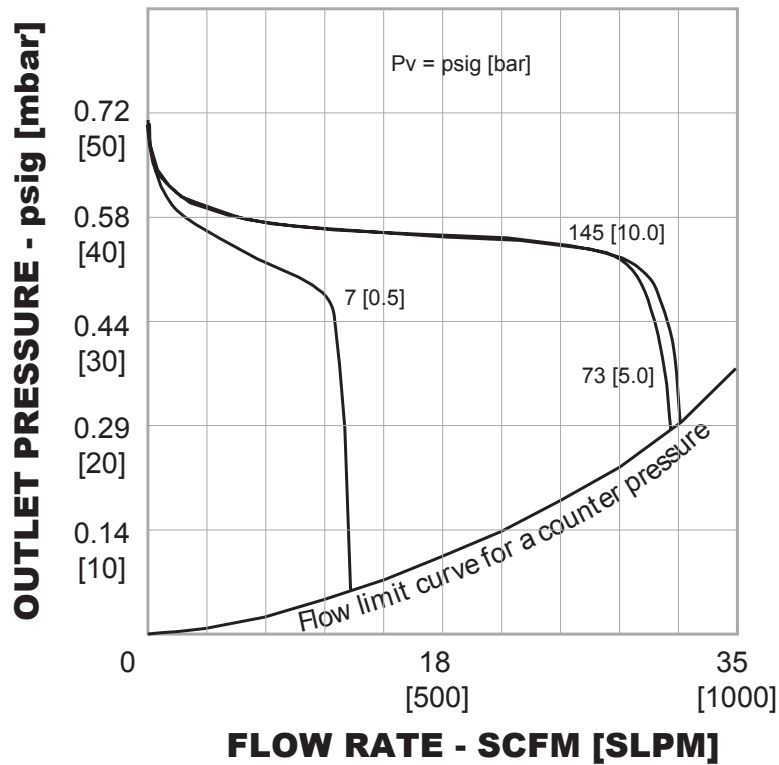
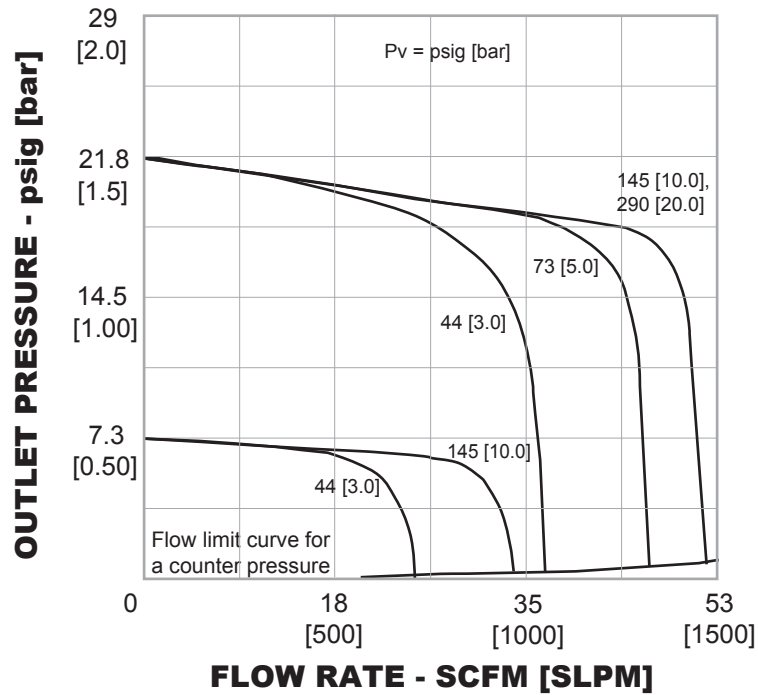
Pos.	Part Number	Description
1	E08791	Plug G 1/2"
2	7232784	Gauge Brass 100-60/50 mbar
2	7232795	Gauge Brass 100-60/50 mbar O ₂
2	7232786	Gauge Brass 100-600/500 mbar
2	7232797	Gauge Brass 100-600/500 mbar O ₂
2	7232788	Gauge Brass 100-2.5/1.5 bar
2	7232799	Gauge Brass 100-2.5/1.5 bar O ₂
2	7233081	Gauge Brass 100-6/4 bar O ₂
3	D10069	Inlet connection M16 x 1.5-G 3/8" without filter
4	D40161	Fitting Brass G 3/8"-8 mm
4	D40078	Fitting Brass G 3/8"-10 mm
4	D40865	Fitting Brass G 3/8"-12 mm
4	V01699	Profile seal G 3/8"
5	D13462	Inlet connection M16 x 1.5-G 1/2"
6	V03807	Soldering connection G 3/4"-8mm
6	V04207	Soldering connection G 3/4"-16mm
6	V04107	Soldering connection G 3/4"-22mm
6	D07384	Cu-profile seal G 3/4"
7*	D51721-NFG	Filter
7*	D51721-FG	Filter
7*	D51721-O2	Filter
8	D17292	Adapter G 1 1/4"-G 1 1/4"
9	V09130	Soldering connection G 1 1/4"-28 mm
10	D17873	Wall mounting bracket



*Remove inlet adapter if use of external filter D51721-XXX is required

Regulus 4 Flow Charts

For more information on how to read flow curves, please refer to the Flow Curves and Calculations document (debul2007x012) in the TESCOM catalog or on www.tescom.com.



Regulus 4 Part Number Selector

Repair Kits, Accessories & Modifications may be available for this product. Please contact TESCOM for more information.

Example for selecting a part number:

D42320		-	12	-	24	-	M
BASIC SERIES	OUTLET PRESSURE RANGES		GAS		OUTLET CONNECTIONS		GAUGE
D42300	0.07-0.73 psig / 5-50 mbar		12 – Oxygen		00 – Without		M – Gauge
D42320	0.73-7.25 psig / 50-500 mbar		15 – Non-flammable gases		24 – Adapter G 1 1/4" and soldering connection for tube Ø 28 mm		--- – No gauge, with plug G 1/2"
D42840	2.9-22 psig / 0.20-1.5 bar		16 – Flammable gases				
D17880	14.5-58 psig / 1.00-4.0 bar						



WARNING! Do not attempt to select, install, use or maintain this product until you have read and fully understood the *TESCOM Safety, Installation and Operation Precautions*.