

# Type RLC/20

---

## RLC/20 Pneumatic Loaded Regulators, Single Seated, with Counterbalanced Valve Disc

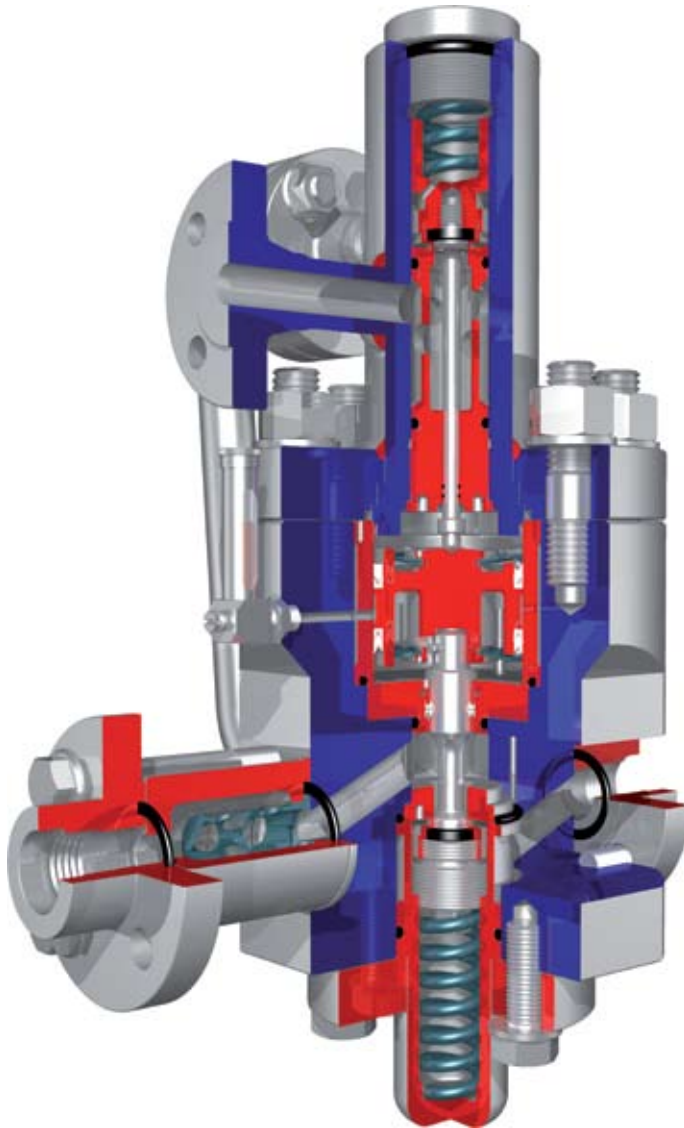


Type RLC/20 Regulator

### *Benefits:*

- Counterbalanced valve disc
- Welding or threaded flanges configurations
- Built-in relief valve and filter

Used in gas distributing stations for automotive use. They can also be employed in installations for industrial use, using high pressure gas compressed in cylinders and cylinder-truck installations normally fed through the pipeline



RLC/20 Type

### Specifications

|                              |                  |                     |
|------------------------------|------------------|---------------------|
| Body allowable pressure      | PS               | : 320 bar           |
| Inlet pressure range         | $b_{pu}$         | : 30 to 320 bar     |
| Outlet pressure range        | $W_d$            | : 20 to 250 bar     |
| Min. operating diff. press.  | $\Delta p_{min}$ | : 10 bar            |
| Accuracy class               | AC               | : up to $\pm 2.5\%$ |
| Lock-up pressure class       | SG               | : up to 5%          |
| Class of lock-up press. zone | SZ               | : up to 10%         |

### Threaded Connections

Inlet and Outlet: 1" NPT

### Materials

|                |                          |
|----------------|--------------------------|
| Body and cover | Steel                    |
| Seat           | Stainless Steel          |
| Diaphragm      | Fabric Nitrile (NBR)+PVC |
| Pad            | Nitrile (NBR) Rubber     |

For more information contact:

Italy

Tel.: +39 - 0514190611

Fax: +39 - 0514190715

France

Tel.: +33 (0)2 37 33 47 00

Fax: +33 (0)2 37 31 46 56

email: [pressure.regulators@emersonprocess.com](mailto:pressure.regulators@emersonprocess.com)