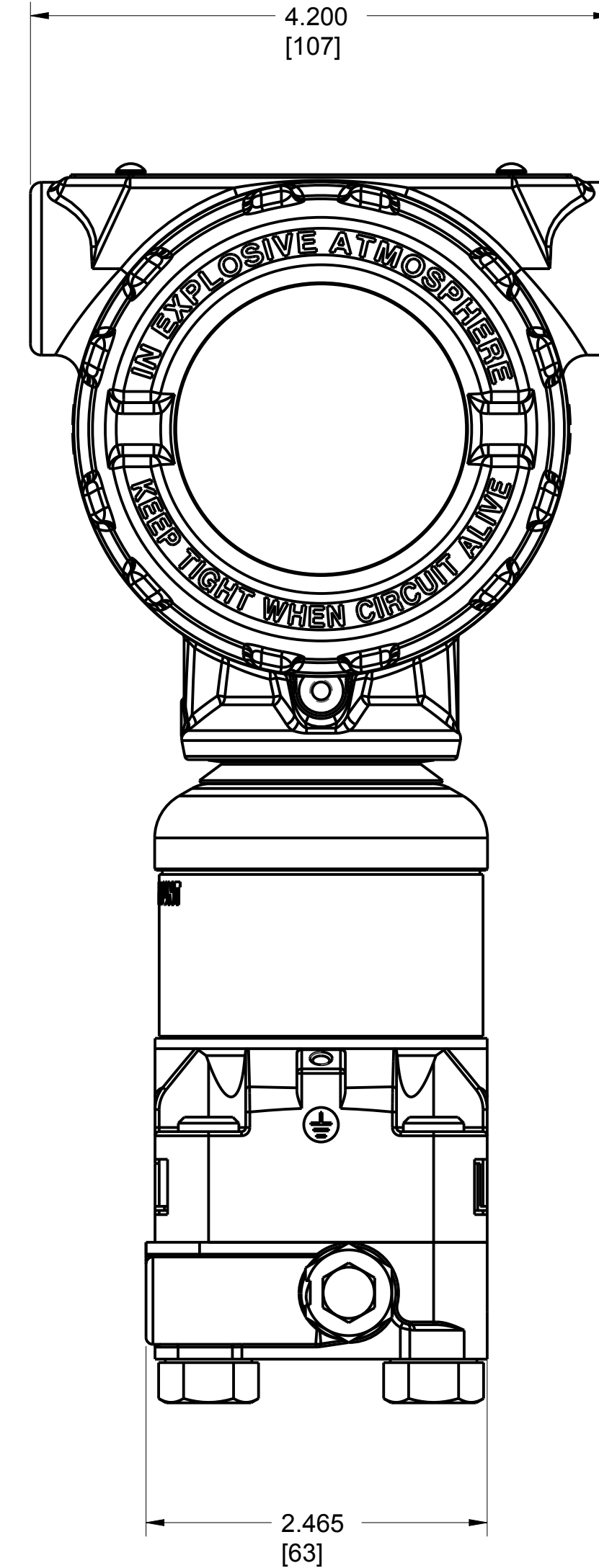
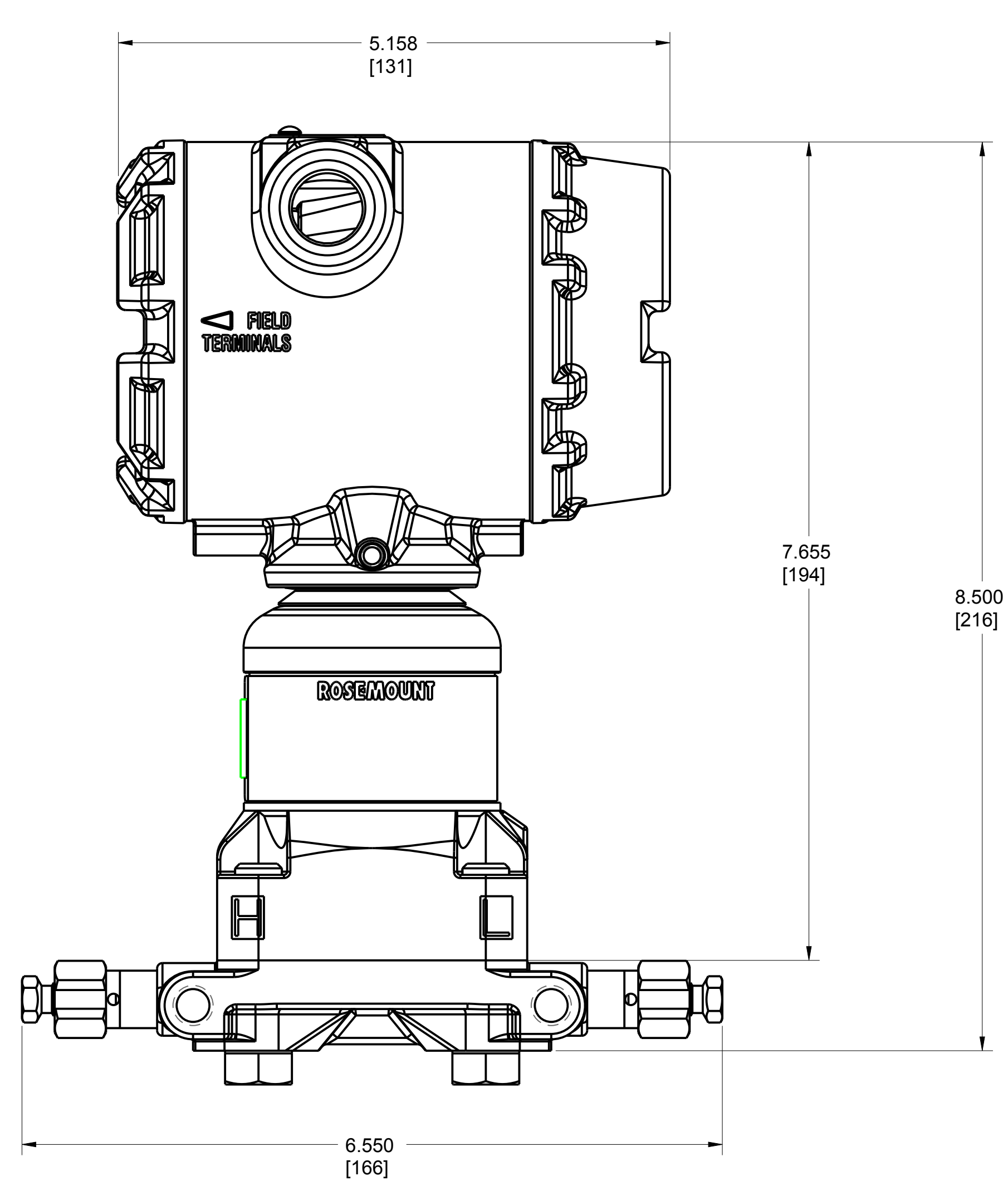


MODEL CODE OPTIONS

REVISION TABLE			
REVISION	ECO NO.	APP'D	DATE
AA	-	-	-
DESCRIPTION			



CONDUIT CONNECTIONS
(2 PLACES)

TAG TABLE

UNLESS OTHERWISE SPECIFIED CONNECTIONS AND DIMENSIONS SHOWN IN THIS DRAWING ARE TO BE USED UNLESS OTHERWISE SPECIFIED. EMERSON	CUSTOMER	***	3RD ANGLE		SIZE	SCALE	REV	
	CUSTOMER DWG NO.	***	D	1/2	AA			
INFORMATION WITHIN THIS DRAWING IS UNCLASSIFIED UNLESS OTHERWISE SPECIFIED. NOTICE: NOT INTENDED FOR REPRODUCTION OR DISTRIBUTION WITHOUT THE WRITTEN PERMISSION OF EMERSON.	P.O. No.	***	EMERSON Process Management					ROSEMOUNT®
	S.O. No.	***	TITLE					***
PROJECT NAME	DR.	-	DRAWING NO.					0001-1111
DO NOT SCALE PRINT	APP'D	-	CAD MAINTAINED, (PRO/E)	PRODUCT CODE	-	DOC TYPE	SHEET 1 OF 1	

DRAWING NO. 0001-1111 TAG NO. GAL