

# Type RP/10

---

## RP/10 Pneumatic Loaded Regulators, Single Seated, with Counterbalanced Valve Disc

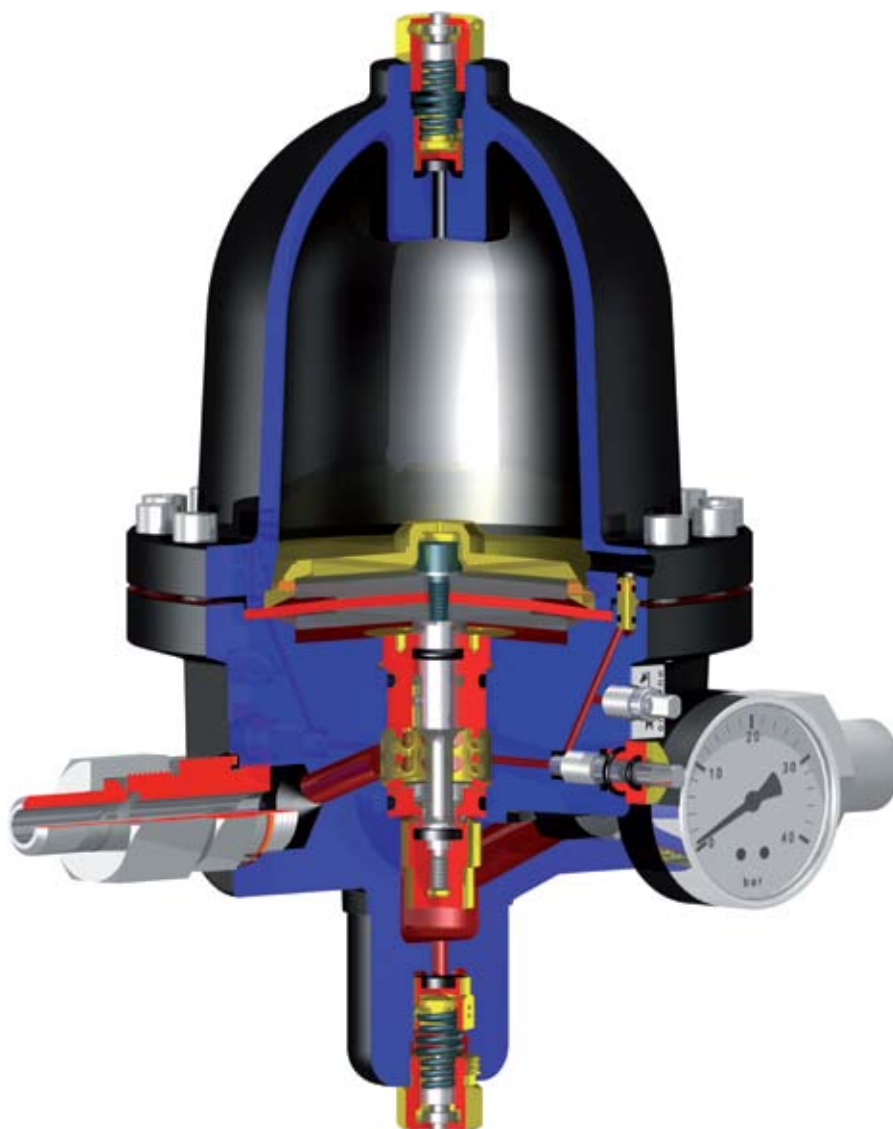


Type RP/10 Regulator

### *Benefits:*

- Counterbalanced valve disc
- Perfect tightness at zero delivery
- Built-in spring operated safety valves

Used in regulating stations using high pressure gas compressed in cylinders.  
They can also be employed with middle pressure gas in ceramic, chemical,  
pharmaceutical factories for small furnaces



RP/10 Type

### Specifications

Body allowable pressure	PS	: 220 bar
Inlet pressure range	$b_{pu}$	: 1 to 220 bar
Outlet pressure range	$W_d$	: 0.5 to 30 bar
Accuracy class	AC	: up to $\pm 5\%$
Lock-up pressure class	SG	: up to 10%
Class of lock-up press. zone	SZ	: up to 10%

### Threaded Connections

Inlet and Outlet: 3/4" x 1" BSP

### Temperature

Working: -10 °C +60 °C

### Materials

Body and cover	Steel
Seat	Stainless Steel
Diaphragm	Fabric Nitrile (NBR)+PVC
Pad	Nitrile (NBR) Rubber

For more information contact:

Italy

Tel.: +39 - 0514190611

Fax: +39 - 0514190715

France

Tel.: +33 (0)2 37 33 47 00

Fax: +33 (0)2 37 31 46 56

email: [pressure.regulators@emersonprocess.com](mailto:pressure.regulators@emersonprocess.com)