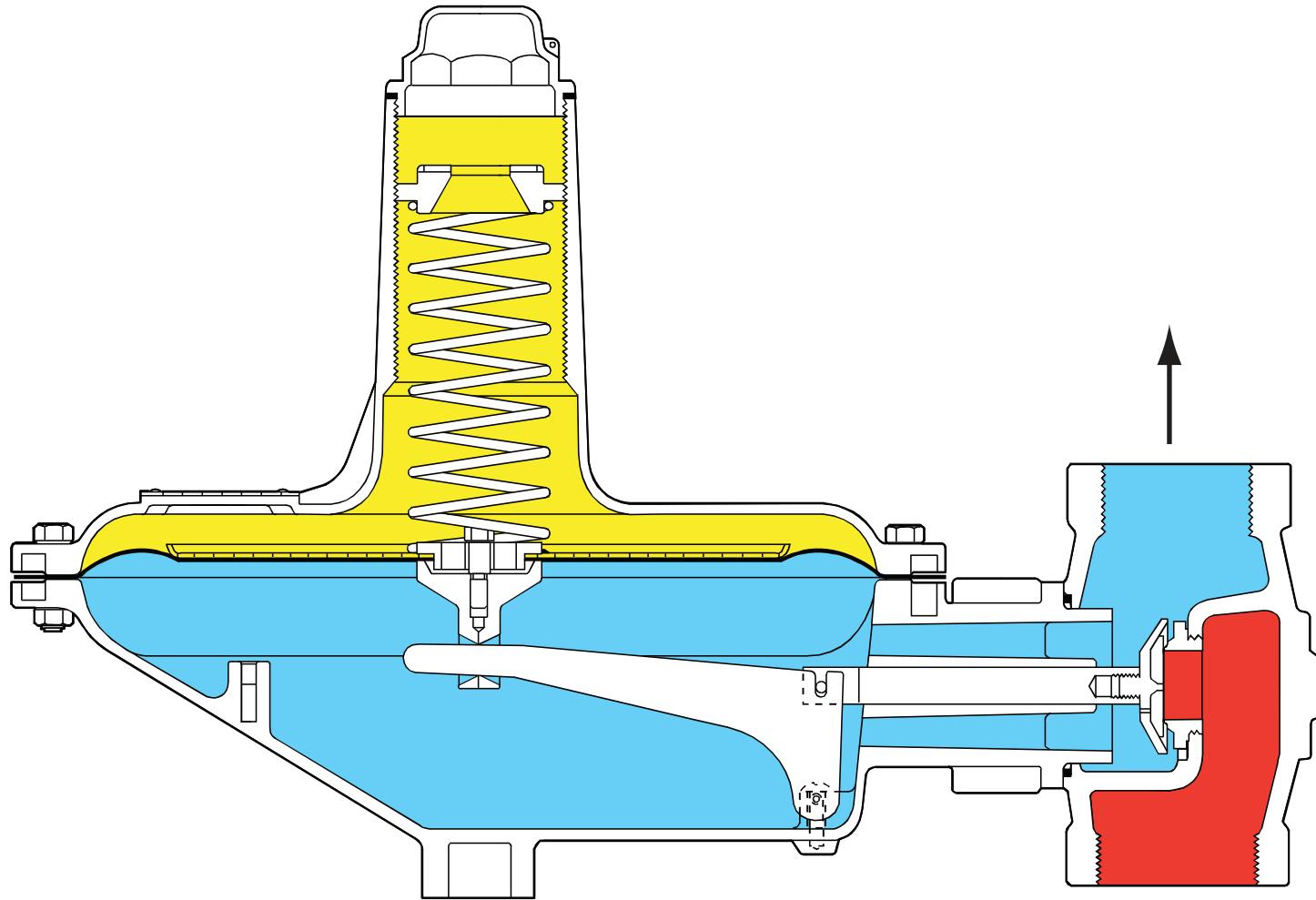


# Type S201



- INLET PRESSURE
- OUTLET PRESSURE
- ATMOSPHERIC PRESSURE

