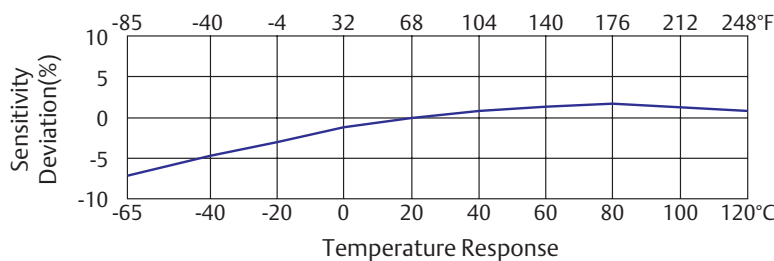
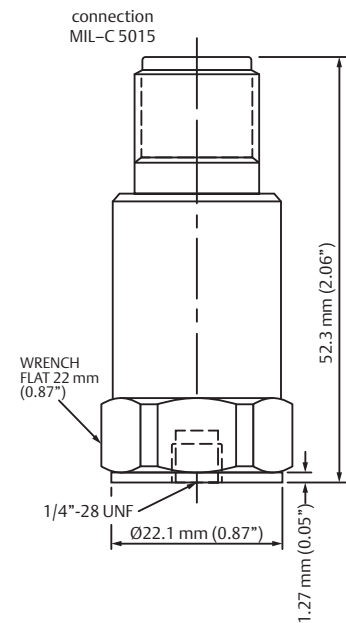
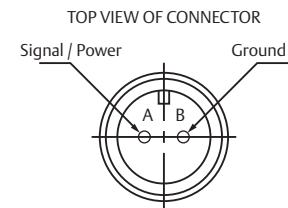


Safety-Rated Accelerometer

Dynamic Performance	
Sensitivity (±5%)	100 mV/g (10.2 mV/m/s ²)
Measurement Range	±50 g (±490 m/s ²)
Frequency Range (±3 dB)	0.20 to 10,000 Hz (12 to 600,000 cpm)
Mounted Resonant Frequency	20 kHz Nominal
Amplitude Linearity	±1% (0 Based, Least Squares, Straight Line)
Transverse Sensitivity	≤5%
Environmental	
Shock Limit	5,000 g pk (49,050 m/s ²)
Temperature Range	-54 to 121°C (-65 to 250°F)
Sealing	IP68 / Welded Hermetic
Agency Ratings	CE ATEX Ex II 1G EEx ia IIC T4 -54 ≤ Ta ≤ 121°C (250°F)
Electrical	
Settling Time	≤5 sec (Within 1% of Bias)
Discharge Time Constant	≥0.8 sec
Excitation Voltage / Current	18 to 28 VDC / 2 to 20 mA
Output Impedance	<100 ohms
Output Bias	8 to 12 VDC
Broadband Resolution (<10 kHz)	50 µg (490 µm/s ²) Electrical Noise
Case Isolation	>10 ⁸ ohms



Mechanical		
Weight / Case Material	94 grams (3.3 oz) / Stainless Steel	
Mounting Thread	¼-28 UNF-2B	
Mounting Torque	2.7 to 6.8 Nm (2 to 5 lb ft)	
Sensor Element / Geometry	Ceramic / Shear	
Connector Type (Top)	MIL-C-5015, 2 Pin	
Supplied Accessories		
Three Point Calibration		
¼-28 Mounting Stud, either ¼-28 to M6x1 or M10x1		
Typical Part Numbers		
PR9270-Ex	Accelerometer sensor only	9200-00109
PR9670/000-000	5 m, Shielded 2 wire, no armor, blunt cut Cable	9700-00046
PR9670/001-000	10 m, Shielded 2 wire, no armor, blunt cut Cable	9700-00047
Harting Connection Assembly	6 Pin M and F with Housings	9500-00064

Order Matrix

Connection Cables:	PR9670 /	X	X	X	-	X	0	0	EX
Shielding: Electronic Side Sensor Side		0 1							
Protection Tube: Without With			1 0						
Cable Length: 5 m 10 m 15 m 20 m				0 1 2 3					
Connection: Open Cable End Harting Plug						0 1			
Installation Areas: Ex- type Standard, non Ex (without addition)									EX

Exclusively the electronic side shielded cables are also available as Ex- types.
Ex-approval is only available if piezo-electric sensors of type PR9270-Ex or PR9270V-Ex are used.

Emerson
Reliability Solutions
835 Innovation Drive
Knoxville, TN 37932
☎ +1 865 675 2400
🌐 www.emerson.com/ams

©2017, Emerson. All rights reserved.

The Emerson logo is a trademark and service mark of Emerson Electric Co. All other marks are the property of their respective owners.

The contents of this publication are presented for informational purposes only, and while every effort has been made to ensure their accuracy, they are not to be construed as warranties or guarantees, express or implied, regarding the products or services described herein or their use or applicability. All sales are governed by our terms and conditions, which are available on request. We reserve the right to modify or improve the designs or specifications of our products at any time without notice.