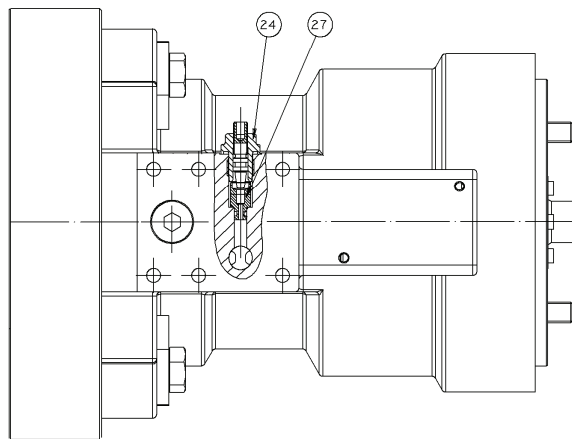


NOTE: This assembly used
for items: -121723
-VA000-117-18



SH 9.0
VA000-105-10

BILL OF MATERIALS AND SPARE PARTS LIST FOR SH9.0			SH Series Actuator
Bill of Material no.: VA000-105-10			Page 1 of 1
Notes: Order all items with a listed material number as spare parts. When ordering spare parts, please state material number.			
Reference Drawing: VA000-105-10			
Balloon Number	Material	Description/Compound	Quan.
1	GGG 40 Ductile Iron	HOUSING BRC 2000	1
2	GGG 40 Ductile Iron	Piston BRC 2000	1
3	160N0562	Top Part BRC 2000 (GGG40)	1
4	160N0789	Pos. Shaft BRC 2000 (X5CrNiMo17 12 2)	1
5	160N0790	Splined Shaft BRC 2000 B1 OVAKO 520M	1
6	160N0566	Bottom cover BRC 2000 (GGG40)	1
7	160N0843	Top Part BRC 1000-2000-4000-8000-16000 (X5CRNiMo17 13 3)	1
9	Buna-N	X-Ring -212 70 Duro.	3
10	Buna-N	X-Ring -154 70 Duro.	10
11	Buna-N	X-Ring -243 70 Duro.	10
12	Buna-N	X-Ring -246 70 Duro.	2
13	Buna-N	O-Ring .875 ID x .094 479-70	1
14	Buna-N	O-Ring 568-212 479-70	1
15	Buna-N	O-Ring 6.496 X .079 479-70	1
16	Buna	O-Ring 568-162 479-70	1
17	251-1531	Screw M4 X 16 (X5CrNiMo18 12)	3
18	267-0014	Snap Ring External Ø 17	1
19	390-0018	Thrust Bearing Ø90 (USt.13)	1
20	390-0118	Thrust Washer Ø90 (100Cr6)	2
			2
24	160G2280	Stop Valve Ø4	1
			1
27	160N1049	Valve Seat	1
28	160G5044	Plug 3/8 Inch WG	1
29	160B4503	Yoke F. DPI BRC 1000 - 2000, L=27.75	1
			2
32	160N0567	Bearing for Angle Adjustment BRC 2000	1
33	160N0571	Banana Washer BRC 2000	6
34	160N0577 Teflon®	Bearing Strip	1
35	Buna-N	O-Ring 568-158 479-70	1
36	251-2157	Screw M12 X 50	6
37	251-1781	Screw M16 X 80	2
38	271-2370	Cylinder Pin 016 X 50	1
39	160N0574	Adapter BRC 2000	1
40	160N0647	Flange Adapter BRC2000	1