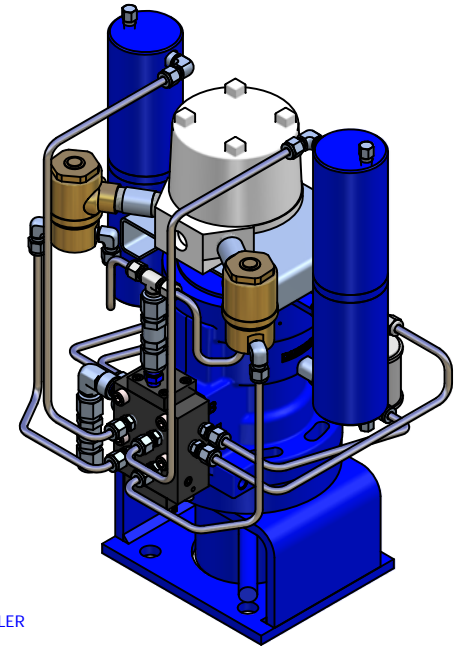
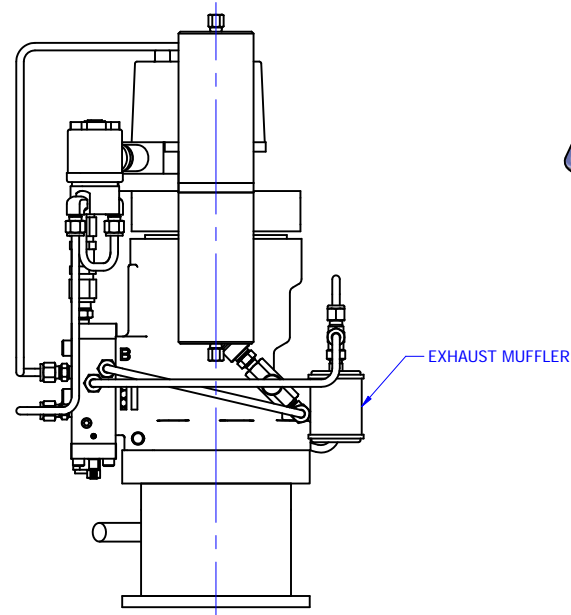
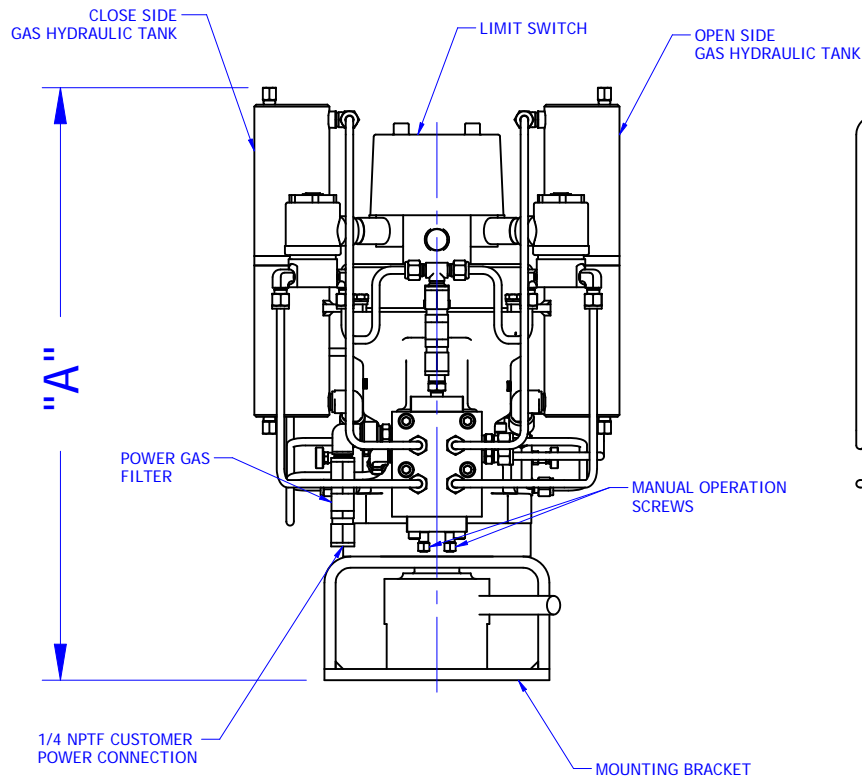
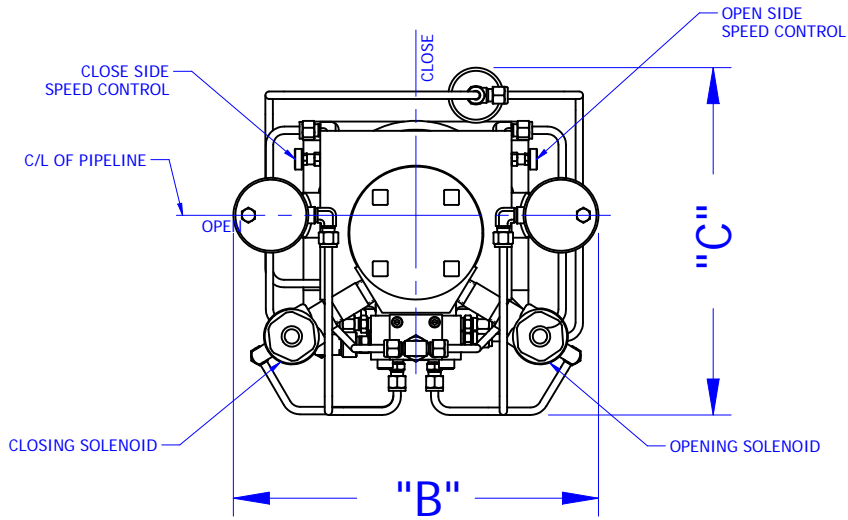


REVISIONS		
REV	ECN	DATE
0		

SH SERIES	"A"	"B"	"C"
SH4.5	21"	12"	12"
SH9.0	24"	15"	13"
SH18.0	26"	18"	13"



UNLESS OTHERWISE SPECIFIED: DIMENSIONS ARE IN INCHES					
TOLERANCES: UP TO .5" - ±1/32 GREATER THAN .5", UP TO 10" - ±1/16 GREATER THAN 10", UP TO 20" - ±3/32 GREATER THAN 20" - ±1/8				SH SERIES GENERAL DIMENSIONS	
THIRD ANGLE PROJECTION					
THIS DOCUMENT AND THE DATA DISCLOSED HEREIN OR HEREAFTER IS NOT TO BE REPRODUCED, USED OR DISCLOSED IN WHOLE OR IN PART TO ANYONE WITHOUT THE PERMISSION OF EMERSON.		DRN LK S/N	CHK KJG DWG. NO. TBA	APP BKL SCALE 5/16 REV 0	DATE 11/11/09 SHEET 1 OF 1

4

3

2

1

D

C

B

A