

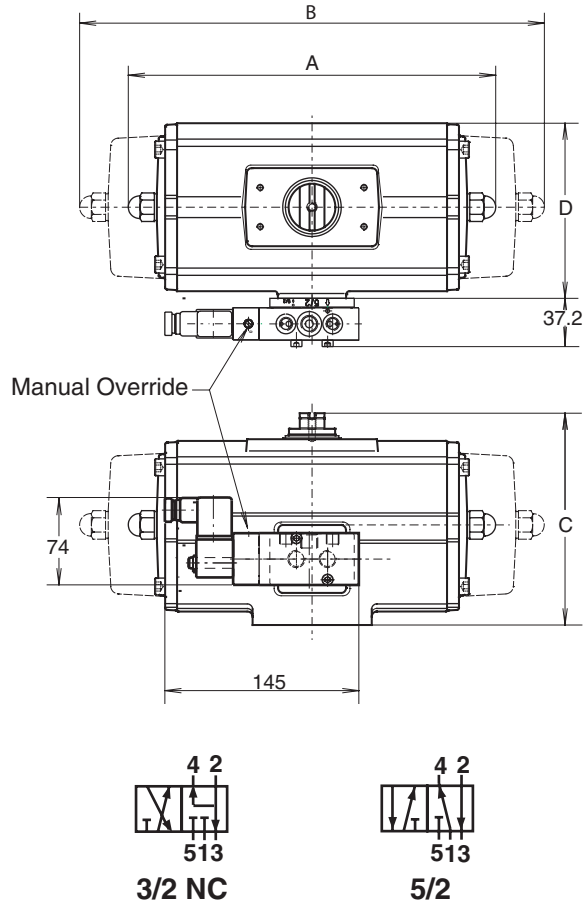
Subject to change without notice

VALVE AUTOMATION SYSTEMS

EL-O-MATIC®  
WWW.EL-O-MATIC.COM

Nr.: 3.106.5  
All rights reserved

Date: May '04



**Description:**

Herion solenoid valves are directly mounted to the actuator air inlet manifold (E12 has an adaptor plate), eliminating the need for tubing or fittings which can be damaged.

The single solenoid control is continuously rated and in the event of electrical failure the actuator returns to its fail safe position; by an air spring in both 3/2 and 5/2 versions

Coils are continuously rated, a push and hold manual override is standard.

**General Specification:**

- Air pressure : 2 to 8 bar
- Lubrication : Not required
- Temperature : - 15° to +50°C
- Voltage : 230 VAC/50Hz and 24VDC standard (others available)
- Duty rating : 100%
- Enclosure : IP65, explosion proof on request
- Electrical Entry : Plug DIN 43650 B-PG11
- Air Entry : G1/4"
- Air Flow, : 750 l/min

**Note:**

- 1) Operating times are strongly dependent on load.

Dim. in mm	ACTUATOR TYPE											
	E12	E25	E40	E65	E100	E200	E350	E600	E950	E1600	P2500	P4000
<b>A PD/ED</b>	103	159	180	199	221	283	305	387	424	516	378	502
<b>B PE/ES</b>	118	172	204	249	267	360	387	477	517	637	570	834
<b>C</b>	80	100	113	125	138	163	201	250	289	327	386	410
<b>D</b>	60	83	96	107	117	137	181	217	242	275	360	390
<b>Operating times in sec. (at 6 bar with average load)</b>												
	0.3	0.35	0.4	0.48	0.52	0.75	1.1	1.6	2.5	3.9	4.5	8.2

Type		Type nr.		Voltage (V)	Power (W)
		Body	Coil		
DA/SR	5/2-3/2	9710000	3051	230 ~	5.6/4.3
				24 =	1.7

EL-O-MATIC ACTUATOR WITH HERION SOLENOID VALVE

SOL