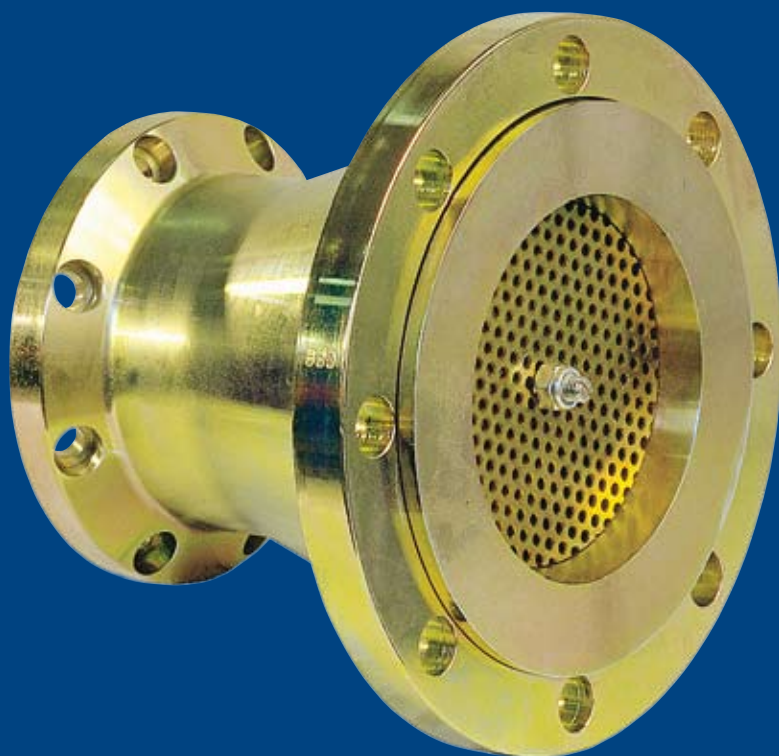


# NOISE REDUCTION SYSTEM

Type SR - SRS - STL - STP



Type SRS

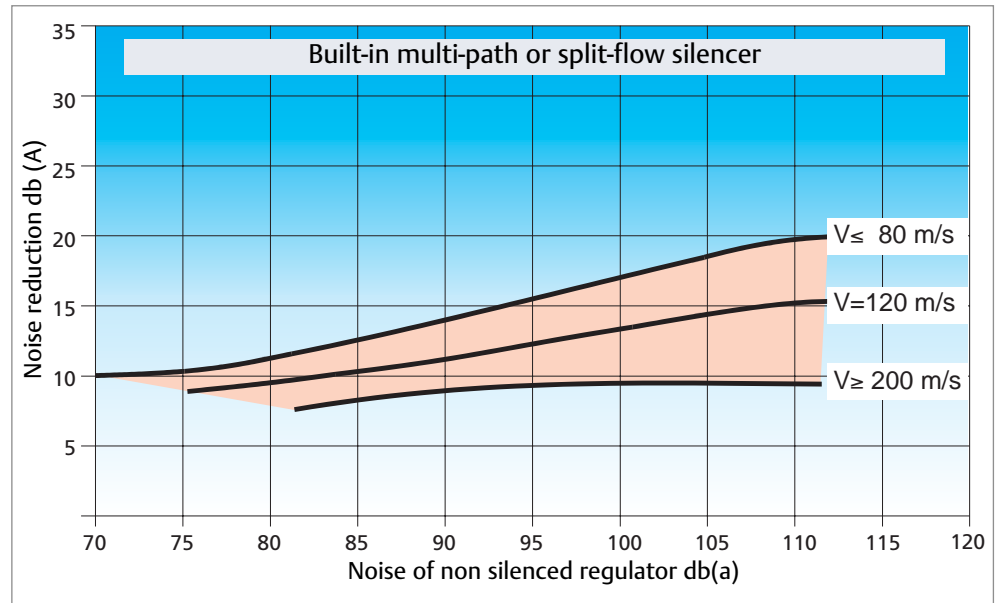


Type SR

Europe, Middle East, and Africa Document Only

## Silencer

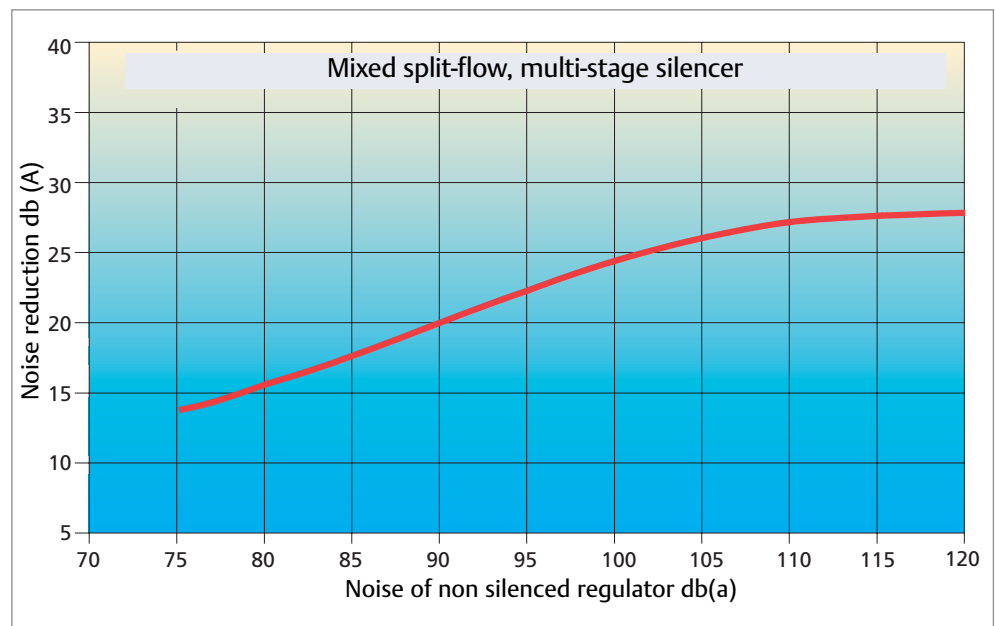
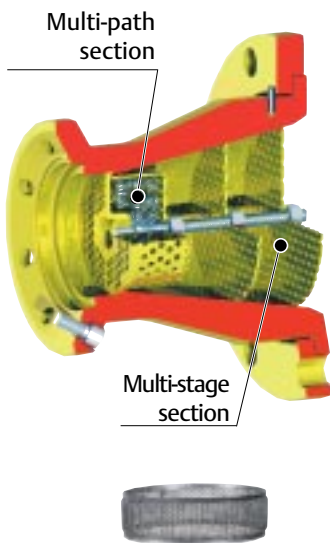
- SR** This silencer is fitted near the regulator shutter and is highly efficient up to a theoretical speed of 80 m/s calculated at the outlet flange.  
Available for regulators series FL/ - Cronos - M/.  
Beyond this speed could be necessary to act on the noise generated by the expansion cone usually installed downstream of the regulator.



- SRS** The SRS silencer consists of an SR silencer plus a widened outlet flange in which a second silencer is fitted. The second silencer has an initial multi-path section and a second multi-stage section.

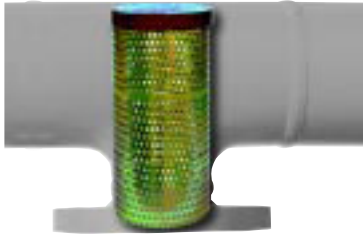
Available for regulators series FL/ - Cronos.

This silencer is highly efficient under all operating conditions, is not limited by the theoretical speed on the regulator outlet flange.



## Silencer

STL



These silencers have been specially developed to be introduced into "T" couplings of pipings.

They are reactive-absorption mixed type silencers and allow not to experience any noise increase in the "T" coupling and get a noise reduction in the downstream piping.

A suitable dimensioning of the silencer and downstream manifold allows not to experience significant power losses and thus capacity values are not jeopardised.

Noise reduction down to 15 dB(A).

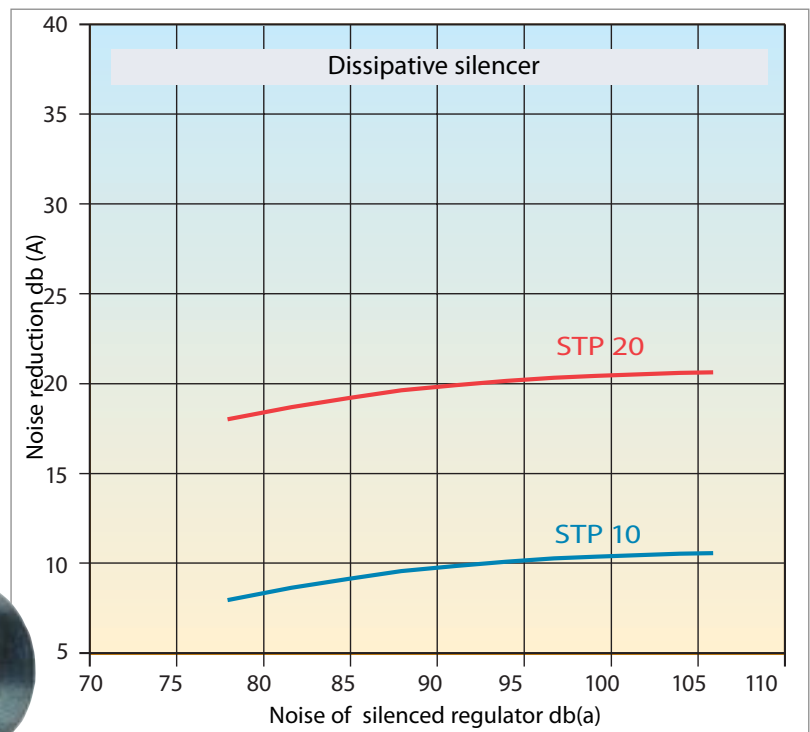
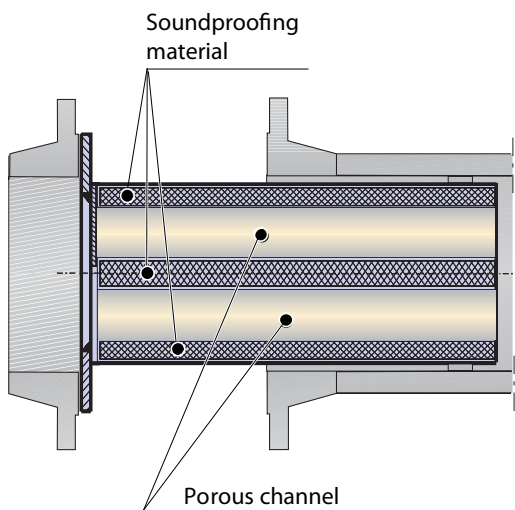
**STP** Habitually used down-stream of SRS silencers but can also be combined with the SR silencer. Overall reduction in noise level is the sum of the reduction produced by SR or SRS plus the STP induced reduction.

The STP silencer consists of one or more porous channels clad with soundproofing material. Sound penetrates inside the soundproofing layer and is transformed into heat by friction.

The silencer is fitted in the pipe and is secured with two flanges.

Two types of silencers are supplied:

- STP10 10 dB(A) attenuation, with length of approximately 1 m
- STP20 20 dB(A) attenuation, with length of approximately 2 m





### Metal or brickwork cabinets

The use of metal cabinets allows to create an efficient barrier to noise propagation.

Non sound-proof cabinets produce a noise reduction by 8-9 dB(A).

Sound-proof cabinets combined with suitably protected vents allow a reduction by approximately 20 dB(A) with the possibility to reach 30 dB(A).

The use of sound-proofing hoods on the main noise area, in particular on regulators, allows a noise reduction by at least 25 dB(A).

Brickwork cabinets allow a reduction by at least 20 dB(A) provided that ventilation windows are suitably screened and doors made sound-proof.



### Underground Module

It has been designed with the main target of getting round problems of environmental impact caused by traditional installations in cabinets or brickwork buildings.

For its peculiar underground positioning, it turned out to be one of the most efficient remedy against noise pollution.

Thanks to its versatility and range of models available, the Underground Module can be used in any place and under all conditions, from domestic to industrial utilities.

### Natural Gas Technologies

#### Emerson Process Management Regulator Technologies, Inc.

O.M.T.  
Officina Meccanica Tartarini s.r.l.  
Via P. Fabbri, 1  
I - 40013 Castel Maggiore (Bologna), Italy  
Tel. : +39 - 0514190611  
Fax: +39 - 0514190715  
E-mail: info.tartarini@emerson.com

### Natural Gas Technologies

#### Emerson Process Management Regulator Technologies, Inc.

Francel S.A.  
Z.A. La Croix Saint Mathieu  
28320 Gallardon  
France  
Tel: +33 (0)2 37 33 47 00  
Fax: +33 (0)2 37 31 46 56

For further information visit [www.emersonprocess.com/regulators](http://www.emersonprocess.com/regulators)

The Emerson logo is a trademark and service mark of Emerson Electric Co. All other marks are the property of their prospective owners. Tartarini is a mark owned by O.M.T. Officina Meccanica Tartarini s.r.l., a business of Emerson Process Management.

*The contents of this publication are presented for informational purposes only, and while every effort has been made to ensure their accuracy, they are not to be construed as warranties or guarantees, express or implied, regarding the products or services described herein or their use or applicability. We reserve the right to modify or improve the designs or specifications of such products at any time without notice.*

O.M.T. Tartarini does not assume responsibility for the selection, use or maintenance of any product. Responsibility for proper selection, use and maintenance of any O.M.T. Tartarini product remains solely with the purchaser.