

Introduction

This installation guide provides instructions for installation, startup, and adjustment. To receive a copy of the instruction manual, contact your local Sales Office or view a copy at www.fisherregulators.com. For further information, refer to: Type T205B Balanced Tank Blanketing Regulator Instruction Manual, D103750X012.

P.E.D. Categories

This product may be used as a safety accessory with pressure equipment in the following Pressure Equipment Directive 97/23/EC categories. It may also be used outside of the Pressure Equipment Directive using sound engineering practice (SEP) per table below.

PRODUCT SIZE	CATEGORY	FLUID TYPE
DN 20 and 25 / 3/4 and 1 inch	SEP	1

Specifications

Body Sizes and End Connection Styles

See Table 1

Maximum Allowable and Operating Inlet Pressure⁽¹⁾

See Table 1

Maximum Outlet (Casing) Pressure⁽¹⁾

See Table 1

Maximum Emergency Outlet Pressure to Avoid Internal Parts Damage⁽¹⁾

With Nitrile (NBR) or Fluorocarbon (FKM)

diaphragm: 2.4 bar / 35 psig

With Fluorinated Ethylene Propylene (FEP)

diaphragm: 1.4 bar / 20 psig

Outlet (Control) Pressure Ranges⁽¹⁾

See Table 3

Shutoff Classification per ANSI/FCI 70-3-2004

Class VI (Soft Seat)

Material Temperature Capabilities⁽¹⁾⁽²⁾

Nitrile (NBR): -29 to 82°C / -20 to 180°F

Fluorinated Ethylene Propylene (FEP):

-29 to 82°C / -20 to 180°F

Fluorocarbon (FKM): 4 to 149°C / 40 to 300°F

Ethylene Propylene Diene (EPDM):

-29 to 107°C / -20 to 225°F

Perfluoroelastomer (FFKM):

-18 to 149°C / 0 to 300°F

Installation



WARNING

Only qualified personnel shall install or service a regulator. Regulators should be installed, operated, and maintained in accordance with international and applicable codes and regulations, and Emerson Process Management Regulator Technologies, Inc. (Regulator Technologies) instructions.

If the regulator vents fluid or a leak develops in the system, it indicates that service is required. Failure to take the regulator out of service immediately may create a hazardous condition.

Personal injury, equipment damage, or leakage due to escaping fluid or bursting of pressure containing parts may result if this regulator is overpressured or is installed where service conditions could exceed the limits given in the Specifications section, or where conditions exceed any ratings of the adjacent piping or piping connections.

To avoid such injury or damage, provide pressure-relieving or pressure-limiting devices (as required by the appropriate code, regulation, or standard) to prevent service conditions from exceeding limits.

Additionally, physical damage to the regulator could result in personal injury and property damage due to escaping fluid. To avoid such injury and damage, install the regulator in a safe location.

Clean out all pipelines before installation of the regulator and check to be sure the regulator has not been damaged or has collected foreign material during shipping. For NPT bodies, apply pipe compound to the external pipe threads. For flanged bodies, use suitable line gaskets and approved piping and bolting practices. Install the regulator in any position desired⁽³⁾, unless otherwise specified, but be sure flow through the body is in the direction indicated by the arrow on the body.

1. The pressure/temperature limits in this Installation Guide and any applicable standard or code limitation should not be exceeded.

2. See Table 2 for operating temperature ranges for available trim combinations.

3. For proper operation to achieve the published capacities at low setpoint, the spring case barrel should be installed pointed down as shown in Figure 1.



Type T205B

Table 1. Body Sizes, End Connection Styles, Maximum Allowable and Operating Inlet Pressures, and Maximum Outlet (Casing) Pressure

BODY SIZE		BODY MATERIAL	END CONNECTION STYLES ⁽¹⁾	MAXIMUM ALLOWABLE AND OPERATING INLET PRESSURE		MAXIMUM OUTLET (CASING) PRESSURE	
DN	Inch			bar	psig	bar	psig
20 or 25	3/4 or 1	Gray Cast Iron	NPT	10.3	150	2.4	35
		WCC Carbon Steel	NPT, CL150 RF, CL300 RF, or PN 16/25/40 RF	13.8	200	5.2	75
		CF8M/CF3M Stainless Steel ⁽²⁾					

1. All flanges are welded. Weld-on flange dimension is 356 mm / 14 inches face-to-face.
 2. Pipe nipples and flanges are 316 Stainless steel for flanged body assemblies.

Note

It is important that the regulator be installed so that the vent hole in the spring case is unobstructed at all times. For outdoor installations, the regulator should be located away from vehicular traffic and positioned so that water, ice, and other foreign materials cannot enter the spring case through the vent. Avoid placing the regulator beneath eaves or downspouts, and be sure it is above the probable snow level.

Overpressure Protection

Type T205B regulator has an outlet pressure rating lower than the inlet pressure rating. The recommended pressure limitations are stamped on the regulator nameplate. Some type of overpressure protection is needed if the actual inlet pressure can exceed the maximum operating outlet pressure rating. Common methods of external overpressure protection includes relief valves, monitoring regulators, shut-off devices, and series regulation. Overpressuring any portion of the regulators beyond the limits in the Specifications section may cause leakage, damage to regulator parts, or personal injury due to bursting of pressure-containing parts.

Regulator operation below the maximum pressure limitations does not preclude the possibility of damage from external sources or debris in the line. The regulator should be inspected for damage after any overpressure condition.

Startup

The regulator is factory set at approximately the midpoint of the spring range or the pressure requested, so an initial adjustment may be required to give the desired results. With proper installation completed and regulator properly adjusted, slowly open the upstream and downstream shutoff valves.

Adjustment

To change the outlet pressure, Perform the following procedure.

For internal flat circular adjusting screw:

1. Remove the closing cap (key 22).
2. Use a 25 mm / 1-inch hex rod or flat screwdriver to turn the adjusting screw (key 35) either clockwise to increase outlet pressure or counterclockwise to decrease outlet pressure. The regulator will go into immediate operation. To ensure correct operation, always use a pressure gauge to monitor the tank blanketing pressure when making adjustments.
3. After making the adjustment, replace the closing cap gasket (key 25) and install the closing cap (key 22).

For external square head adjusting screw:

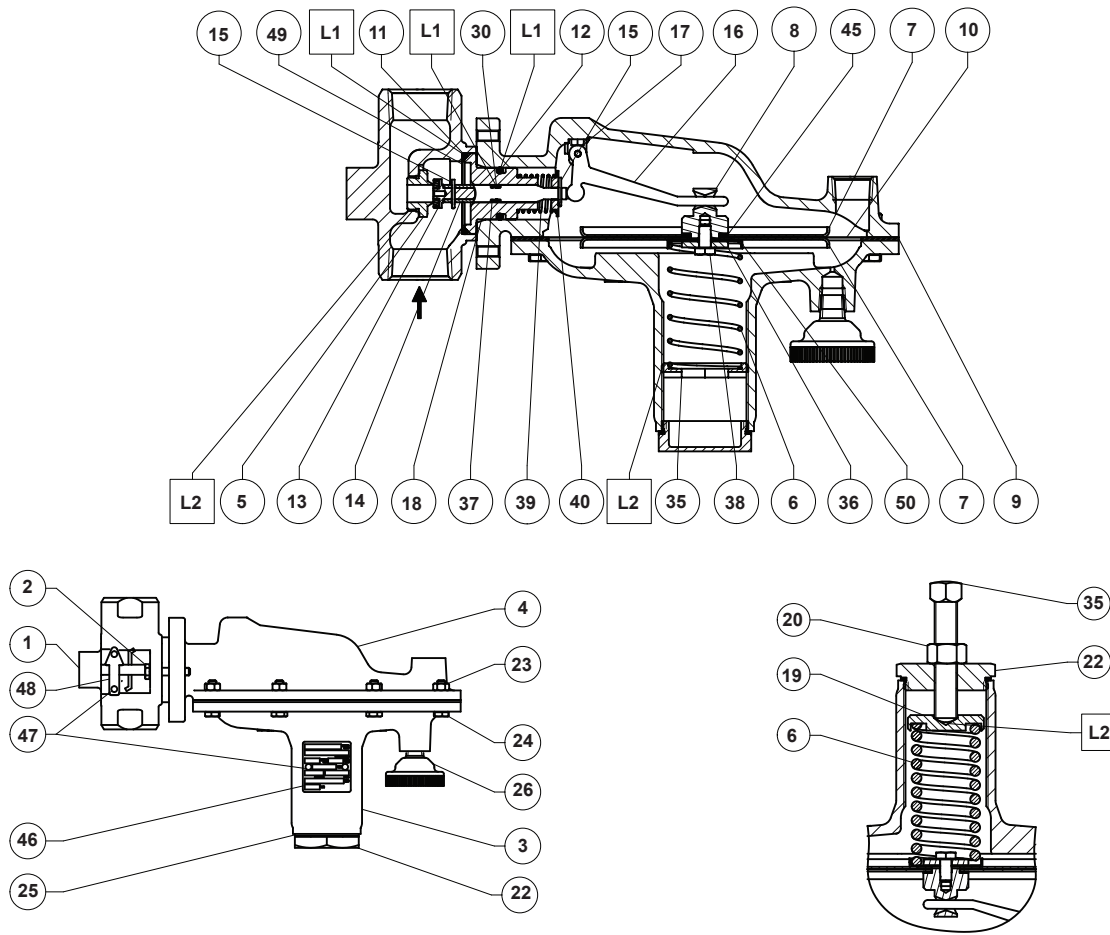
1. Loosen the locknut (key 20).
2. Turn the adjusting screw (key 35) either clockwise to increase outlet pressure or counterclockwise to decrease outlet pressure. Always use pressure gauge to monitor the tank blanketing gas pressure when making adjustments.
3. After making the adjustment, tighten the locknut (key 20).

Taking Out of Service (Shutdown)



WARNING

To avoid personal injury resulting from sudden release of pressure, isolate the regulator from all pressure before attempting disassembly.



EXTERNAL SQUARE HEAD ADJUSTING SCREW ASSEMBLY OPTION⁽²⁾

ERSA00627

□ APPLY LUBRICANT⁽¹⁾:
 L1 = MULTI-PURPOSE PTFE LUBRICANT
 L2 = ANTI-SEIZE COMPOUND

- Lubricants must be selected such that they meet the temperature requirements.
- For 83 to 172 mbar / 1.2 to 2.5 psig, 0.17 to 0.31 bar / 2.5 to 4.5 psig, and 0.31 to 0.48 bar / 4.5 to 7 psig spring ranges only.

Figure 1. Type T205B Assembly

Parts List

Key	Description	Key	Description
1	Body	20	Lock Nut ⁽¹⁾
2	Cap Screw (2 required)	22	Closing Cap
3	Spring Case	23	Hex Nut (8 required)
4	Lower Casing	24	Spring Case Cap Screw (8 required)
5*	Orifice	25*	Closing Cap Gasket
6	Spring	26	Vent Assembly
7	Diaphragm Head (2 required)	30*	Stem Seal O-ring
8	Pusher Post	35	Adjusting Screw
9*	Diaphragm Gasket (for FEP diaphragm)	36	Washer
10*	Diaphragm	37*	Backup Ring (2 required)
11*	Body Seal O-ring	38	Diaphragm Head Cap Screw
12*	Insert Seal O-ring	39	Bias spring
13*	Disk Assembly	40	Bias spring seat
14	Stem	45*	Diaphragm Head Gasket
15*	Cotter Pin (2 required)	46	Nameplate
16	Lever Assembly	47	Drive Screw (2 required)
17	Machine Screw (2 required)	48	Flow Arrow
18	Guide Insert	49	Backup Ring
19	Upper Spring seat ⁽¹⁾	50	Lower Spring Seat

* Recommended spare part

- Use for optional external square head adjusting screw assembly recommended for 83 to 172 mbar / 1.2 to 2.5 psig, 0.17 to 0.31 bar / 2.5 to 4.5 psig, and 0.31 to 0.48 bar / 4.5 to 7 psig spring ranges only.

Type T205B

Table 2. Operating Temperature Ranges for Available Trim Combination

TRIM OPTION CODE	DIAPHRAGM MATERIAL	DISK AND O-RING MATERIAL	OPERATING TEMPERATURE RANGES
Standard	Fluorinated Ethylene Propylene (FEP)	Nitrile (NBR)	-29 to 82°C / -20 to 180°F
NN	Nitrile (NBR)	Nitrile (NBR)	-29 to 82°C / -20 to 180°F
VV	Fluorocarbon (FKM)	Fluorocarbon (FKM)	4 to 149°C / 40 to 300°F
TV	Fluorinated Ethylene Propylene (FEP)	Fluorocarbon (FKM)	4 to 82°C / 40 to 180°F
TK	Fluorinated Ethylene Propylene (FEP)	Perfluoroelastomer (FFKM)	-18 to 82°C / 0 to 180°F
TE	Fluorinated Ethylene Propylene (FEP)	Ethylene Propylene Diene (EPDM)	-29 to 82°C / -20 to 180°F

Table 3. Outlet (Control) Pressure Ranges and Spring Information

OUTLET (CONTROL) PRESSURE RANGE		SPRING PART NUMBER	SPRING COLOR	SPRING WIRE DIAMETER		SPRING FREE LENGTH	
mbar	Inches w.c.			mm	Inch	mm	Inch
2.5 to 6.2 ⁽¹⁾⁽²⁾	1 to 2.5 ⁽¹⁾⁽²⁾	1B558527052	Orange	1.8	0.072	82.6	3.25
6.2 to 17 ⁽²⁾	2.5 to 7 ⁽²⁾	1B653827052	Red	2.2	0.085	92.2	3.63
17 to 40	7 to 16	1B653927022	Unpainted	2.7	0.105	95.2	3.75
34 to 83	0.5 to 1.2 psig	1B537027052	Yellow	2.9	0.114	109	4.31
83 to 172	1.2 to 2.5 psig	1B537127022	Green	4.0	0.156	103	4.06
0.17 to 0.31 bar	2.5 to 4.5 psig	1B537227022	Light Blue	4.8	0.187	100	3.94
0.31 to 0.48 bar	4.5 to 7 psig	1B537327052	Black	5.5	0.218	101	3.98

1. Do not use Fluorocarbon (FKM) diaphragm with this spring at diaphragm temperatures lower than 16°C / 60°F.
2. To achieve the published outlet pressure range, the spring case must be installed pointing down.

Industrial Regulators

Emerson Process Management Regulator Technologies, Inc.

USA - Headquarters
McKinney, Texas 75069-1872, USA
Tel: +1 800 558 5853
Outside U.S. +1 972 548 3574

Asia-Pacific
Shanghai 201206, China
Tel: +86 21 2892 9000

Europe
Bologna 40013, Italy
Tel: +39 051 419 0611

Middle East and Africa
Dubai, United Arab Emirates
Tel: +971 4811 8100

Natural Gas Technologies

Emerson Process Management Regulator Technologies, Inc.

USA - Headquarters
McKinney, Texas 75069-1872, USA
Tel: +1 800 558 5853
Outside U.S. +1 972 548 3574

Asia-Pacific
Singapore 128461, Singapore
Tel: +65 6770 8337

Europe
Bologna 40013, Italy
Tel: +39 051 419 0611
Chartres 28008, France
Tel: +33 2 37 33 47 00

TESCOM

Emerson Process Management Tescom Corporation

USA - Headquarters
Elk River, Minnesota 55330-2445, USA
Tels: +1 763 241 3238
+1 800 447 1250

Europe
Selmsdorf 23923, Germany
Tel: +49 38823 31 287

Asia-Pacific
Shanghai 201206, China
Tel: +86 21 2892 9499

For further information visit www.fisherregulators.com



The distinctive diamond shape cast into every spring case uniquely identifies the regulator as part of the Fisher® brand and assures you of the highest-quality engineering, durability, performance, and support.

The Emerson logo is a trademark and service mark of Emerson Electric Co. All other marks are the property of their prospective owners. Fisher is a mark owned by Fisher Controls International LLC, a business of Emerson Process Management.

The contents of this publication are presented for informational purposes only, and while every effort has been made to ensure their accuracy, they are not to be construed as warranties or guarantees, express or implied, regarding the products or services described herein or their use or applicability. We reserve the right to modify or improve the designs or specifications of such products at any time without notice.

Emerson Process Management Regulator Technologies, Inc. does not assume responsibility for the selection, use or maintenance of any product. Responsibility for proper selection, use and maintenance of any Emerson Process Management Regulator Technologies, Inc. product remains solely with the purchaser.