

TEE Type Filters

Accessories

DFILTER10123XEN2

Specifications

For other materials or modifications, please consult TESCOM.

OPERATING PARAMETERS

Pressure rating per criteria of ANSI/ASME B31.3

Maximum Operating Pressures

Up to 10,150 psig / 700 bar

Operating Temperature

-40°F to 392°F / -40°C to 200°C

Flow Capacity

See Flow Rates Table

MEDIA CONTACT MATERIALS

Housing

316L Stainless Steel or Brass

Filter Element

316L Stainless Steel

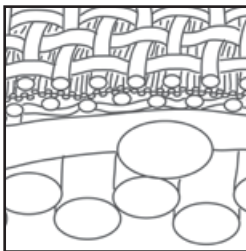
Gaskets

Viton®

Viton® is registered trademark of E.I. du Pont de Nemours and Company.

Stainless Steel Filter Elements

Stainless Steel filter elements are made up of several layers of 316 mesh that are sintered together to form an integrated porous element. The middle mesh is of very fine gauge and determines the filtration rates. This layer is then overlaid with inner and outer layers of coarser mesh to give support and protection.



These filter elements are a typical surface filter and the contaminants are retained on the surface of the filtration layer, which makes cleaning and back flushing very easy. These filter elements should be ultrasonically cleaned for best results.



TESCOM TEE Type Filters offer a high quality filter housing and internal elements that provide the effective and efficient removal of contaminants from both gas and liquid applications.

Application

- TEE Type Filters are particularly suitable for the performance of the following TESCOM pressure regulator series: 26-1700, 44-1100, 44-1300, 44-2200, 44-4600, and DH

Features and Benefits

- Protects pressure system components from contaminants
- Operating pressure ratings up to 10,150 psig / 700 bar
- Pleated, 20-40 micron, 316L Stainless Steel internal filter material for maximum contaminant control
- Cleanable element reduces operating cost
- Housing available in 316 Stainless Steel and Brass

TEE Type Filters Part Number Selector

Repair Kits, Accessories & Modifications may be available for this product. Please contact TESCOM for more information.

Example for selecting a part number:

D51170 - S 690 - 6 20

BASIC SERIES	MATERIAL	MAXIMUM PRESSURE	NPT CONNECTION SIZE	FILTER RATE
D51170	S – Stainless Steel B – Brass	690 – 10,000 psig / 690 bar (1)* 415 – 6000 psig / 415 bar (1)* 310 – 4500 psig / 310 bar (2)* 300 – 4350 psig / 300 bar (1)* 260 – 3770 psig / 260 bar (2)* 210 – 3500 psig / 210 bar (3)* 40 – 580 psig / 40 bar (4)*	4 – 1/4" 6 – 3/8" 8 – 1/2" 12 – 3/4" 16 – 1"	20 – 20 µm 40 – 40 µm

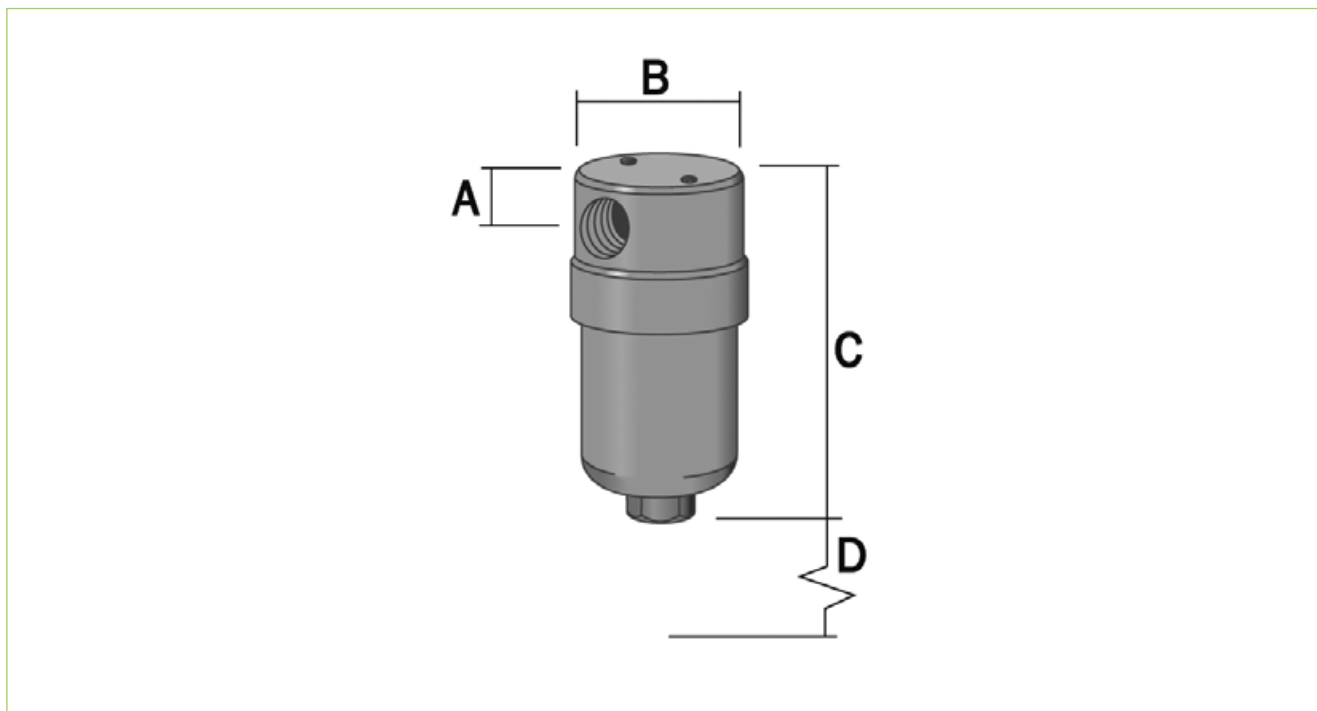
* (1) only 1/4" connection size
 (2) only 1/2" or 3/4" connection size
 (3) not for 1/4" connection size
 (4) not for 1/4" or 3/8" connection size

TEE Type Filters Air Flow Rates – In Nm³/h at Stated Line Pressure and 0.1 bar Pressure Drop

Flow rates will depend on which filter element grade is installed in the filter housing. Use the chart below to read the flow rate at the desired pressure against the used filter elements you will find on next pages.

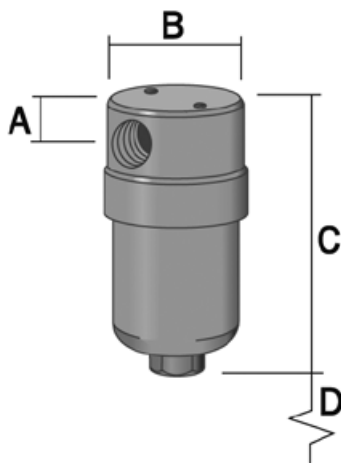
FILTER ELEMENT	FILTER RATE [µm]	AIR PRESSURE / bar											
		0.1	1	2	4	7	10	16	34	100	200	340	700
12.32	20	3.9	7.0	11	18	28	39	60	-	350	700	1200	2050
12.32	40	5.3	9.5	14	24	38	52	81	-	480	960	1620	2730
12.57	20	5.1	9.3	14	23	37	51	79	-	470	940	1590	2390
12.57	40	6.1	11	17	28	45	61	95	-	560	1120	1900	3250
25.64	20	8.5	16	23	39	62	85	130	-	780	1560	2320	4700
25.64	40	10	18	27	44	71	97	150	-	890	1780	2466	5350
38.152	20	27	50	75	122	197	275	425	850	-	-	-	-
38.152	40	30	52	80	132	210	287	450	900	-	-	-	-

TEE Type Filters Drawing



TESCOM PART NUMBER	FILTER ELEMENT / RATE	MATERIAL	A	B	C	D
			Inch / mm			
D51170-S690-420	12.57 / 20	316L	0.87 / 22	2.56 / 65	5.32 / 135	1.58 / 40
D51170-S690-440	12.57 / 40	316L	0.87 / 22	2.56 / 65	5.32 / 135	1.58 / 40
D51170-B415-420	12.57 / 20	Brass	0.87 / 22	2.56 / 65	5.32 / 135	1.58 / 40
D51170-B415-440	12.57 / 40	Brass	0.87 / 22	2.56 / 65	5.32 / 135	1.58 / 40
D51170-B310-820	25.64 / 20	316L	0.79 / 20	3.54 / 90	7.87 / 200	3.94 / 100
D51170-B310-840	25.64 / 40	316L	0.79 / 20	3.54 / 90	7.87 / 200	3.94 / 100
D51170-B310-1220	25.64 / 20	316L	0.98 / 25	3.94 / 100	8.27 / 210	3.94 / 100
D51170-B310-1240	25.64 / 40	316L	0.98 / 25	3.94 / 100	8.27 / 210	3.94 / 100
D51170-B300-420	12.32 / 20	Brass	0.47 / 12	1.58 / 40	315 / 80	1.77 / 45
D51170-B300-440	12.32 / 40	Brass	0.47 / 12	1.58 / 40	315 / 80	1.77 / 45
D51170-S300-420	12.32 / 20	316L	0.39 / 10	1.42 / 36	2.91 / 74	1.58 / 40
D51170-S300-440	12.32 / 40	316L	0.39 / 10	1.42 / 36	2.91 / 74	1.58 / 40
D51170-B260-820	25.64 / 20	Brass	0.79 / 20	3.54 / 90	7.87 / 200	3.94 / 100
D51170-B260-840	25.64 / 40	Brass	0.79 / 20	3.54 / 90	7.87 / 200	3.94 / 100
D51170-B260-1220	25.64 / 20	Brass	0.98 / 25	3.94 / 100	8.27 / 210	3.94 / 100
D51170-B260-1240	25.64 / 40	Brass	0.98 / 25	3.94 / 100	8.27 / 210	3.94 / 100
D51170-S260-820	25.64 / 20	316L	0.79 / 20	3.54 / 90	7.87 / 200	3.94 / 100
D51170-S260-840	25.64 / 40	316L	0.79 / 20	3.54 / 90	7.87 / 200	3.94 / 100
D51170-S260-1220	25.64 / 20	316L	0.98 / 25	3.94 / 100	8.27 / 210	3.94 / 100
D51170-S260-1240	25.64 / 40	316L	0.98 / 25	3.94 / 100	8.27 / 210	3.94 / 100

TEE Type Filters Drawing



TESCOM PART NUMBER	FILTER ELEMENT / RATE	MATERIAL	A	B	C	D
			Inch / mm			
D51170-B210-620	25.64 / 20	Brass	0.59 / 15	2.52 / 64	5.08 / 129	2.76 / 70
D51170-B210-640	25.64 / 40	Brass	0.59 / 15	2.52 / 64	5.08 / 129	2.76 / 70
D51170-B210-820	25.64 / 20	Brass	0.59 / 15	2.52 / 64	5.08 / 129	2.76 / 70
D51170-B210-840	25.64 / 40	Brass	0.59 / 15	2.52 / 64	5.08 / 129	2.76 / 70
D51170-B210-1220	25.64 / 20	Brass	0.98 / 25	3.94 / 100	5.91 / 150	2.76 / 70
D51170-B210-1240	25.64 / 40	Brass	0.98 / 25	3.94 / 100	5.91 / 150	2.76 / 70
D51170-B210-1620	25.64 / 20	Brass	0.98 / 25	3.94 / 100	5.91 / 150	2.76 / 70
D51170-B210-1640	25.64 / 40	Brass	0.98 / 25	3.94 / 100	5.91 / 150	2.76 / 70
D51170-S210-620	25.64 / 20	316L	0.59 / 15	2.52 / 64	5.08 / 129	2.76 / 70
D51170-S210-640	25.64 / 40	316L	0.59 / 15	2.52 / 64	5.08 / 129	2.76 / 70
D51170-S210-820	25.64 / 20	316L	0.59 / 15	2.52 / 64	5.08 / 129	2.76 / 70
D51170-S210-840	25.64 / 40	316L	0.59 / 15	2.52 / 64	5.08 / 129	2.76 / 70
D51170-S210-1220	25.64 / 20	316L	0.98 / 25	3.94 / 100	5.91 / 150	2.76 / 70
D51170-S210-1240	25.64 / 40	316L	0.98 / 25	3.94 / 100	5.91 / 150	2.76 / 70
D51170-S210-1620	25.64 / 20	316L	0.98 / 25	3.94 / 100	5.91 / 150	2.76 / 70
D51170-S210-1640	25.64 / 40	316L	0.98 / 25	3.94 / 100	5.91 / 150	2.76 / 70
D51170-B40-820	31.152 / 20	Brass	1.18 / 30	3.94 / 100	10.40 / 264	8.27 / 210
D51170-B40-840	31.152 / 40	Brass	1.18 / 30	3.94 / 100	10.40 / 264	8.27 / 210
D51170-B40-1220	31.152 / 20	Brass	1.18 / 30	3.94 / 100	10.40 / 264	8.27 / 210
D51170-B40-1240	31.152 / 40	Brass	1.18 / 30	3.94 / 100	10.40 / 264	8.27 / 210
D51170-B40-1620	31.152 / 20	Brass	1.18 / 30	3.94 / 100	10.40 / 264	8.27 / 210
D51170-B40-1640	31.152 / 40	Brass	1.18 / 30	3.94 / 100	10.40 / 264	8.27 / 210
D51170-S40-820	31.152 / 20	316L	1.18 / 30	3.94 / 100	10.40 / 264	8.27 / 210
D51170-S40-840	31.152 / 40	316L	1.18 / 30	3.94 / 100	10.40 / 264	8.27 / 210
D51170-S40-1220	31.152 / 20	316L	1.18 / 30	3.94 / 100	10.40 / 264	8.27 / 210
D51170-S40-1240	31.152 / 40	316L	1.18 / 30	3.94 / 100	10.40 / 264	8.27 / 210
D51170-S40-1620	31.152 / 20	316L	1.18 / 30	3.94 / 100	10.40 / 264	8.27 / 210
D51170-S40-1640	31.152 / 40	316L	1.18 / 30	3.94 / 100	10.40 / 264	8.27 / 210



WARNING! Do not attempt to select, install, use or maintain this product until you have read and fully understood the **TESCOM Safety, Installation and Operation Precautions.**

DFILTER10123XEN2 © 2014 Emerson Process Management Regulator Technologies, Inc. All rights reserved. 09/2014.
 Tescom, Emerson Process Management, and the Emerson Process Management design are marks of one of the Emerson Process Management group of companies. All other marks are the property of their respective owners.