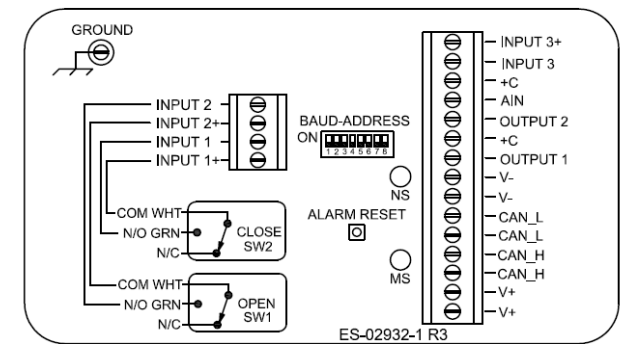


MODEL NO.
TVF-DN2GNMM1A11

PRODUCT LINE
Discrete Valve Monitor

SPECIFICATIONS

| | |
|----------------------------|--|
| Model | TVF, epoxy-coated A360Aluminum base, clear resin lid |
| Bus/Sensor | DeviceNet w/2 reed switches |
| Area Classification | Class 1, Div. 2, Groups A,B,C&D; Class II, Div. 2, Groups F&G; Type 4, 4X; Ex nA nC IIC T4 Gc; Ex tc IIIC T115°C Dc, IP66/IP68 |
| Visual Display | 90° Green Open / Red Closed |
| Shaft | NAMUR, 304 Stainless Steel |
| Conduit Entries | (2) M20 |
| O-rings | Silicone |
| Pilot | (1) 24Vdc pilot, 1W, fail open/closed |
| Spool Valve | Anodized Aluminum spool valve |
| Valve Cv | 1.0 Cv w/ 1/4" NPT Ports |
| Manual Override | Single Pushbutton Momentary/ Latching Override |



Current as of Jan 9, 2015 - subject to change without notice

TOPWORX
 TopWorx, Inc. (502) 969-8000 ph.
 3300 Fern Valley Rd. (502) 969-5911 fax
 Louisville, KY 40213 www.topworx.com