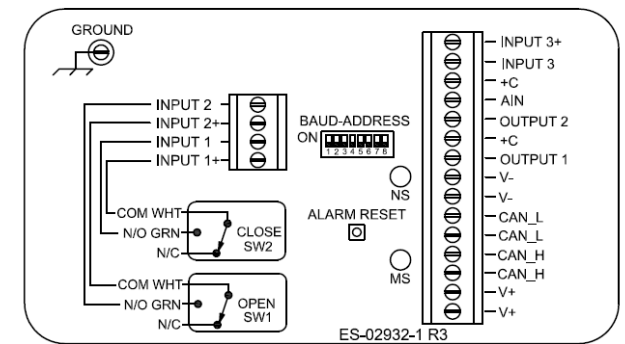


MODEL NO.
TVF-DN2GNPM1A11
PRODUCT LINE

Discrete Valve Monitor

SPECIFICATIONS

Model	TVF, epoxy-coated A360Aluminum base, clear resin lid
Bus/Sensor	DeviceNet w/2 reed switches
Area Classification	Class 1, Div. 2, Groups A,B,C&D; Class II, Div. 2, Groups F&G; Type 4, 4X; Ex nA nC IIC T4 Gc; Ex tc IIIC T115°C Dc, IP66/IP68
Visual Display	90° Green Open / Red Closed
Shaft	NAMUR, 304 Stainless Steel
Conduit Entries	(2) 1/2 NPT
O-rings	Silicone
Pilot	(1) 24Vdc pilot, 1W, fail open/closed
Spool Valve	Anodized Aluminum spool valve
Valve Cv	1.0 Cv w/ 1/4" NPT Ports
Manual Override	Single Pushbutton Momentary/ Latching Override



Current as of Jan 9, 2015 - subject to change without notice

TOPWORX
 TopWorx, Inc. (502) 969-8000 ph.
 3300 Fern Valley Rd. (502) 969-5911 fax
 Louisville, KY 40213 www.topworx.com