

MODEL NO.

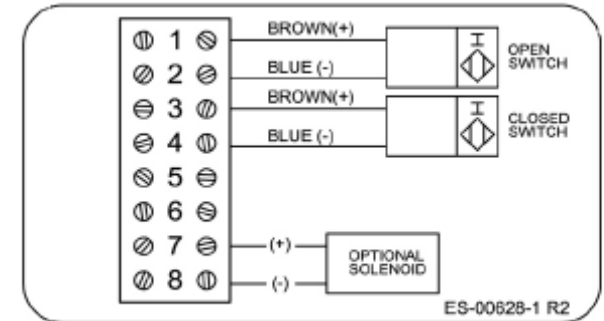
TVL-N20GNMM00000N002

PRODUCT LINE

Discrete Valve Monitor

SPECIFICATIONS

Model	TVL, epoxy-coated A360Aluminum base and lid
Bus/Sensor	(2) P&F NJ4-12GM-N
Area Classification	Class 1, Div. 1, Groups A,B,C&D; Class II, Div. 1, Groups E,F&G; 4, 4X; Ex ia IIC T4, IP66/68
Visual Display	90° Green Open / Red Closed
Shaft	NAMUR, 304 Stainless Steel
Conduit Entries	(2) M20
O-rings	Silicone
Temperature Rating	-20°C to 39°C



Current as of Jan 9, 2015 - subject to change without notice

TOPWORX

TopWorx, Inc.
3300 Fern Valley Rd.
Louisville, KY 40213

(502) 969-8000 ph.
(502) 969-5911 fax
www.topworx.com