

MODEL NO.

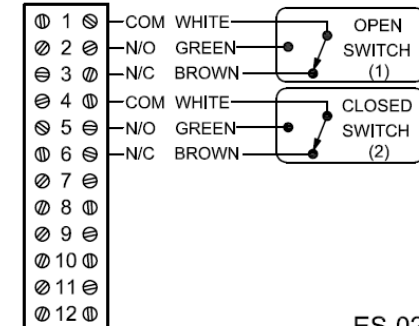
**TVL-P22GNMM**

PRODUCT LINE

**Discrete Valve Monitor**

SPECIFICATIONS

<b>Model</b>	TVL, Tropicalized Aluminum base and lid
<b>Bus/Sensor</b>	(2) SPDT Reed switch 3A Max
<b>Area Classification</b>	Class 1, Div. 2, Groups A,B,C&D; Class II, Div. 2, Groups F&G; Type 4, 4X; Ex nA nC IIC T4 Gc, Ex tc IIIC T115° Dc, IP66/68
<b>Visual Display</b>	90° Green Open / Red Closed
<b>Shaft</b>	NAMUR, 304 Stainless Steel
<b>Conduit Entries</b>	(2) M20
<b>O-rings</b>	Silicone
<b>Temperature Rating</b>	-40°C to 55°C



ES-02993-1 R2

Current as of Jan 9, 2015 - subject to change without notice

**TOPWORX**

TopWorx, Inc.  
3300 Fern Valley Rd.  
Louisville, KY 40213

(502) 969-8000 ph.  
(502) 969-5911 fax  
www.topworx.com