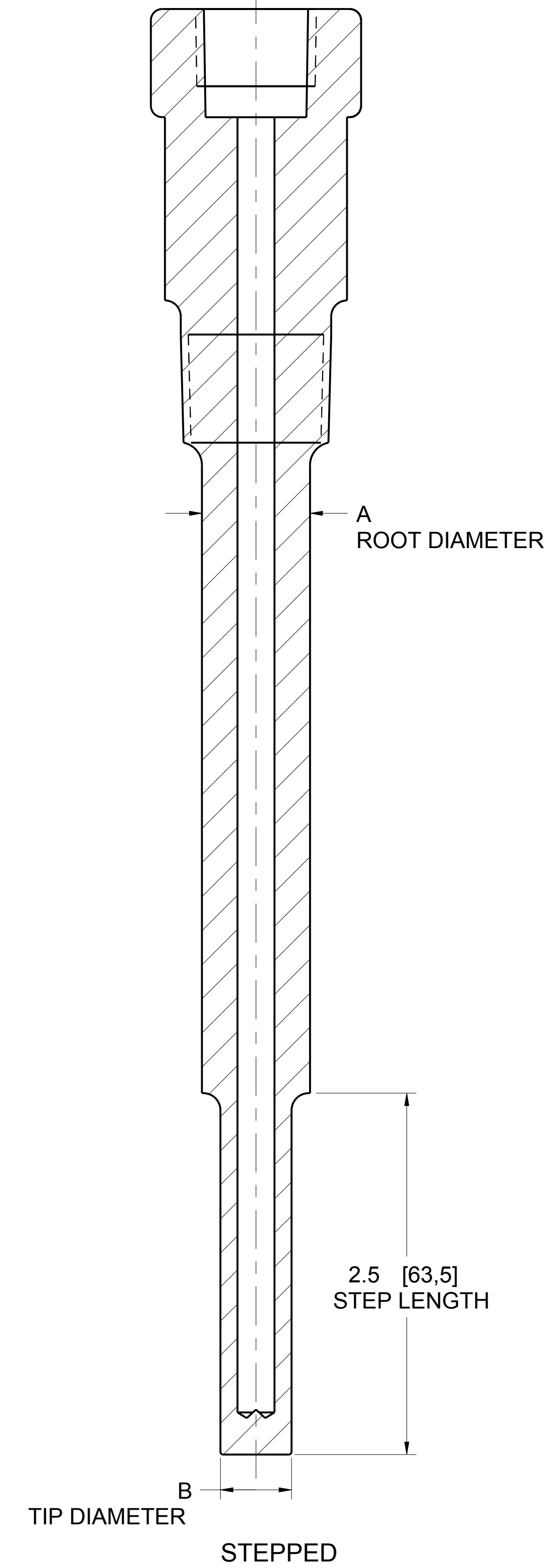
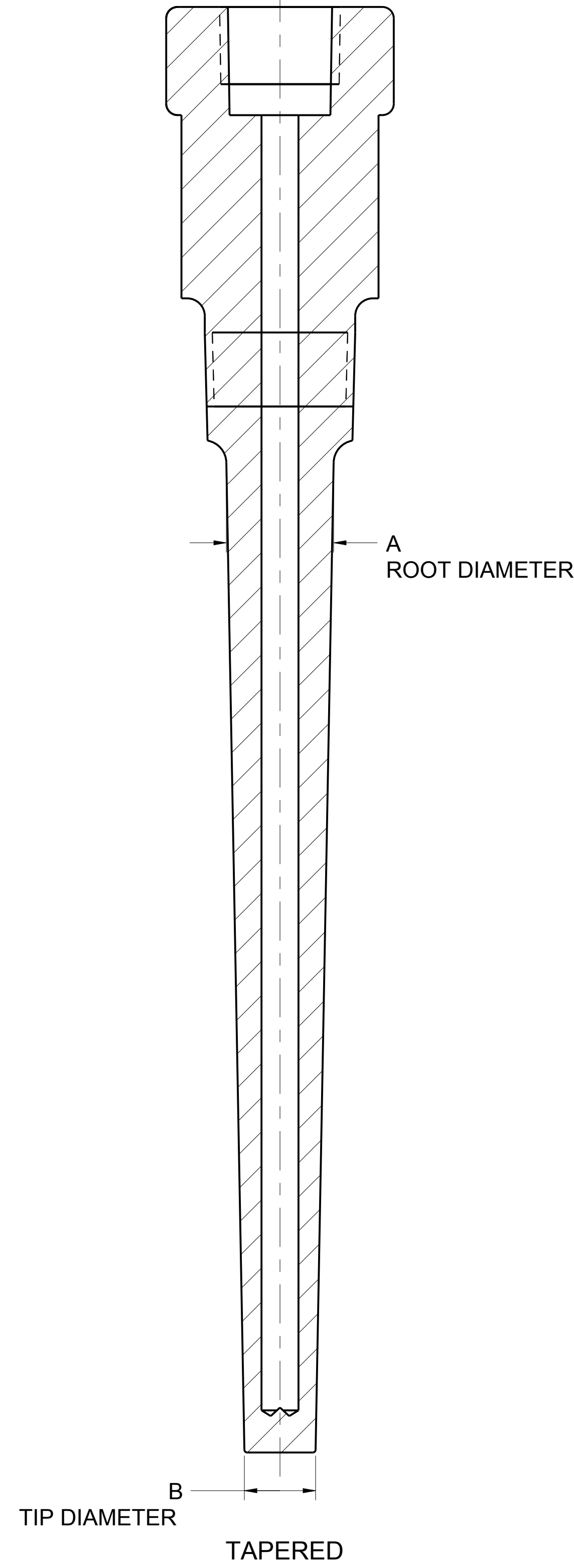
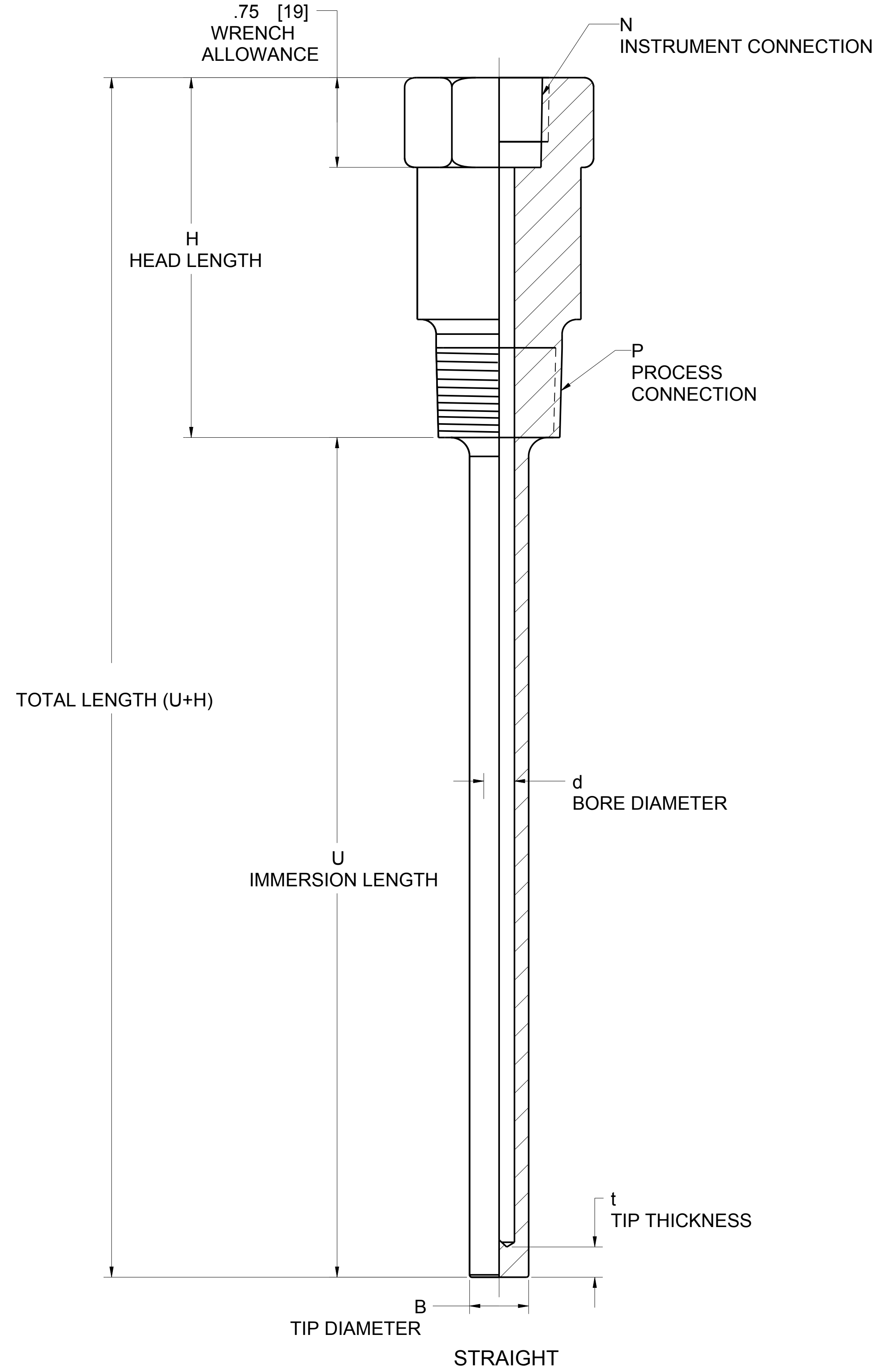


ROSEMOUNT 114C BARSTOCK THERMOWELL

THREAD MOUNT THERMOWELLS (TAPERED THREAD)

REVISION TABLE			
REVISION	ECO NO.	APP'D	DATE
AD	RTC1067357	J. REUVERS	2/1/17
DESCRIPTION			
ADD K DIMS TO VAN STONE THERMOWELLS			



©2015 ROSEMOUNT INC.
ROSEMOUNT INC. CERTIFIES
THIS DRAWING IS IN
ACCORDANCE WITH
ROSEMOUNT ENGINEERING
SPECIFICATIONS.
UNIT NOTES IN INCHES (mm).

REFERENCE ROSEMOUNT
PRODUCT SPECIFICATIONS.
CLICK HERE

DR. S.MENDULE 5/29/15 DRAWING NO. 00114-7000
APP'D J. REUVERS 7/25/15
CAD MAINTAINED, (PROE) SHEET 1 OF 11

3RD ANGLE

EMERSON

TITLE ROSEMOUNT THERMOWELLS
TYPE I DRAWING

SIZE D SCALE NTS

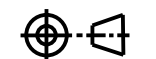
THREAD MOUNT THERMOWELLS
(TAPERED THREAD)

CODE	CODE	MOUNTING STYLE	WRENCH FLAT SIZE "G"		ROOT DIAMETER STEPPED STEM "∅ As"	ROOT DIAMETER TAPERED STEM "∅ At"	TIP DIAMETER TAPERED STEM "∅ B"	ROOT DIAMETER STRAIGHT STEM "∅ Astr"	THREAD SPECIFICATION
	T		THREADED	METRIC UNITS; CODE "M"					
AA		1/2-14 ANPT	1.18 [30]	1-1/8 [28.6]	.67 [17]	.67 [17]	.5 [12.7]	.5 [12.7]	ANPT PER SAE -AS 71051 (REFERENCE PS-71)
AB		3/4-14 ANPT	1.18 [30]	1-1/8 [28.6]	.75 [19]	.89 [22,5]	.63 [16]	.71 [18]	
AC		1-11.5 ANPT	1.34 [34]	1-1/4 [31.8]	.85 [21.5]	1.04 [26,5]	.71 [18]	.71 [18]	
AD		1 1/2-11.5 ANPT	1.89 [48]	1-3/4 [44.5]	.85 [21.5]	1.04 [26,5]	.71 [18]	.71 [18]	
AE		1/2" BSPT	1.18 [30]	1-1/8 [28.6]	.67 [17]	.67 [17]	.5 [12.7]	.5 [12.7]	THD PER ISO 7/1(BS 21)
AF		3/4" BSPT	1.18 [30]	1-1/8 [28.6]	.75 [19]	.89 [22,5]	.63 [16]	.71 [18]	
AG		1" BSPT	1.34 [34]	1-1/4 [31.8]	.85 [21.5]	1.04 [26,5]	.71 [18]	.71 [18]	

©2015 ROSEMOUNT INC.
ROSEMOUNT INC. CERTIFIES
THIS DRAWING TO BE IN
ACCORDANCE WITH
ROSEMOUNT ENGINEERING
SPECIFICATIONS.
UNIT NOTES IN INCHES (mm).

REFERENCE ROSEMOUNT
PRODUCT SPECIFICATIONS.
CLICK HERE

CAD MAINTAINED, (PROE)

3RD ANGLE 

SIZE D

SCALE NTS

EMERSON

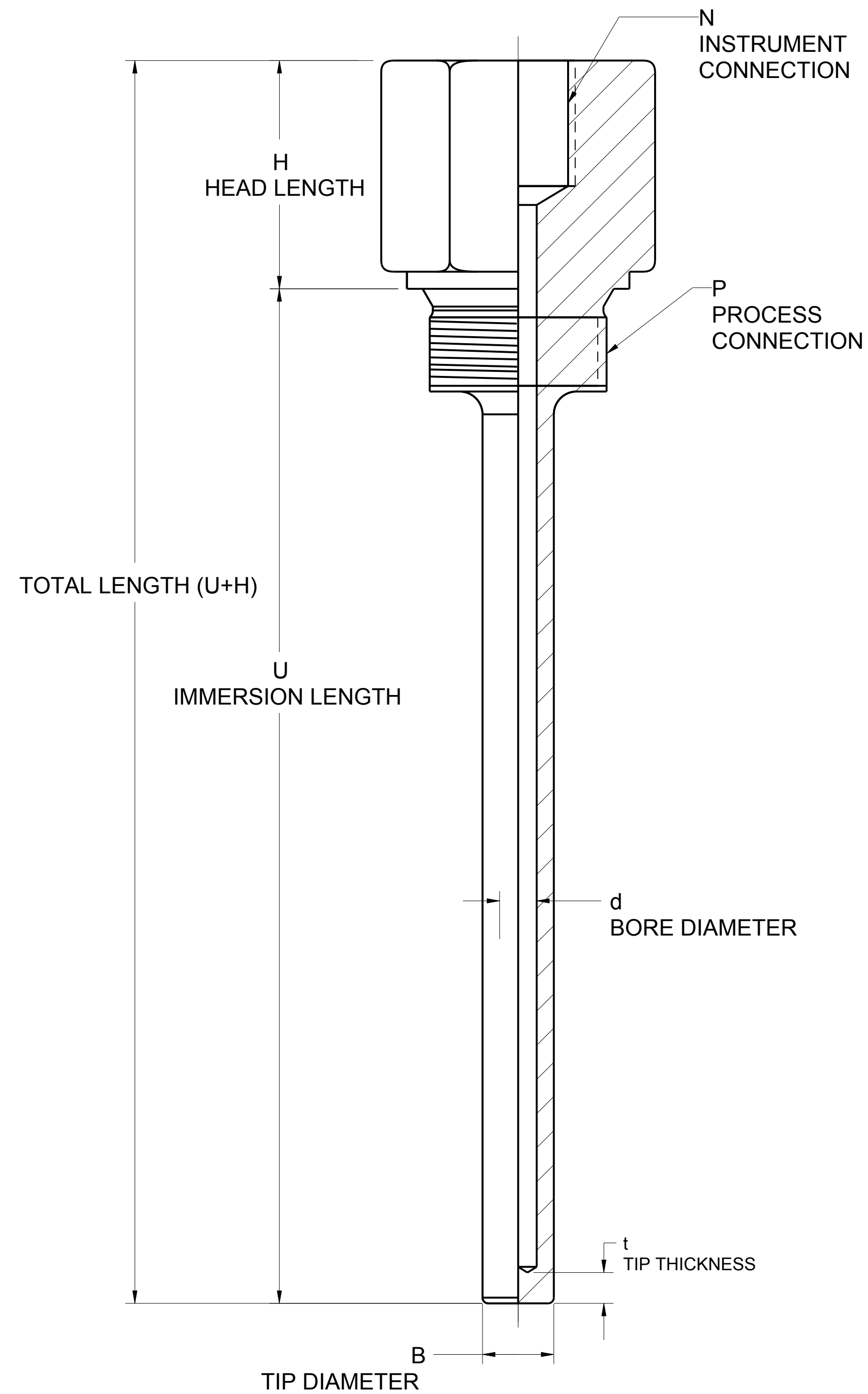
TITLE ROSEMOUNT THERMOWELLS
TYPE I DRAWING

DR. S.MENDULE 5/29/15 DRAWING NO. 00114-7000

APPD J. REUVERS 7/25/15

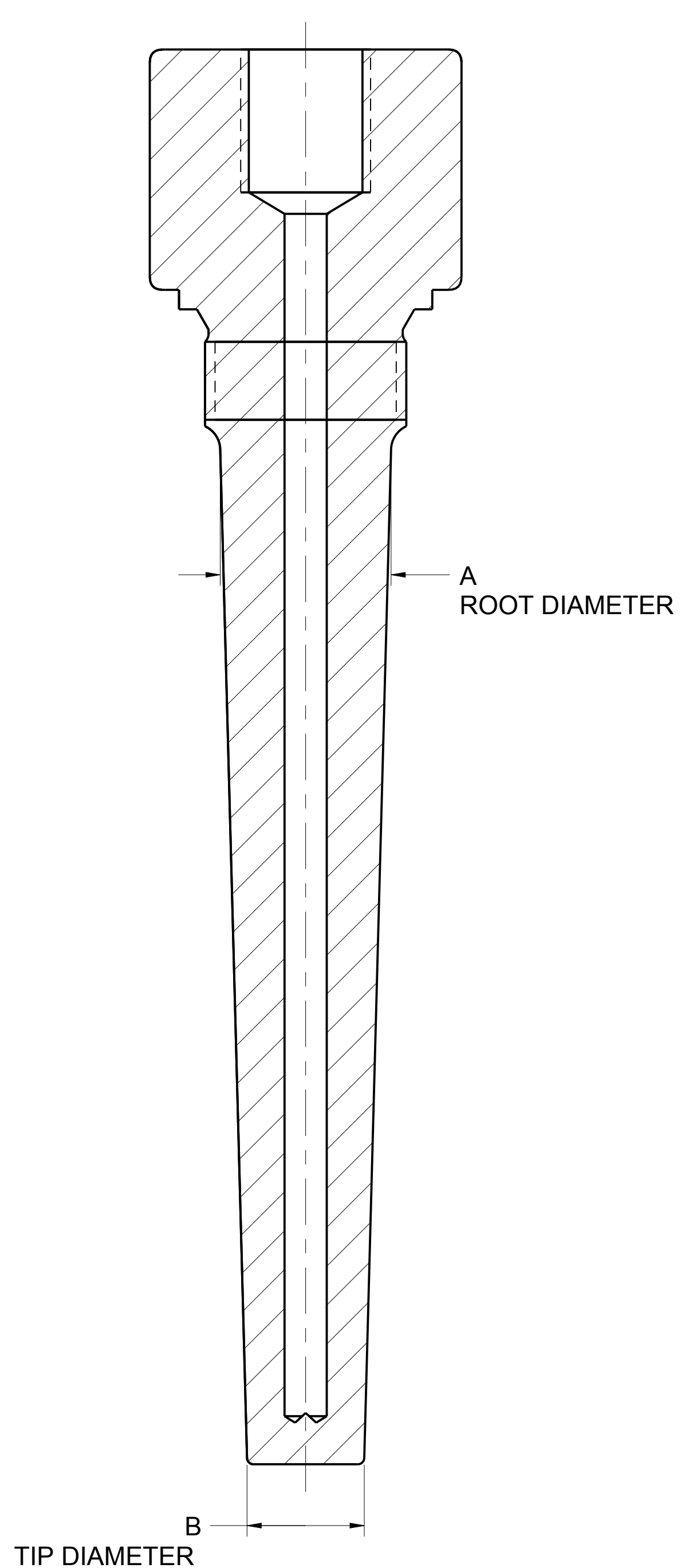
SHEET 2 OF 11

ROSEMOUNT 114C BARSTOCK THERMOWELL

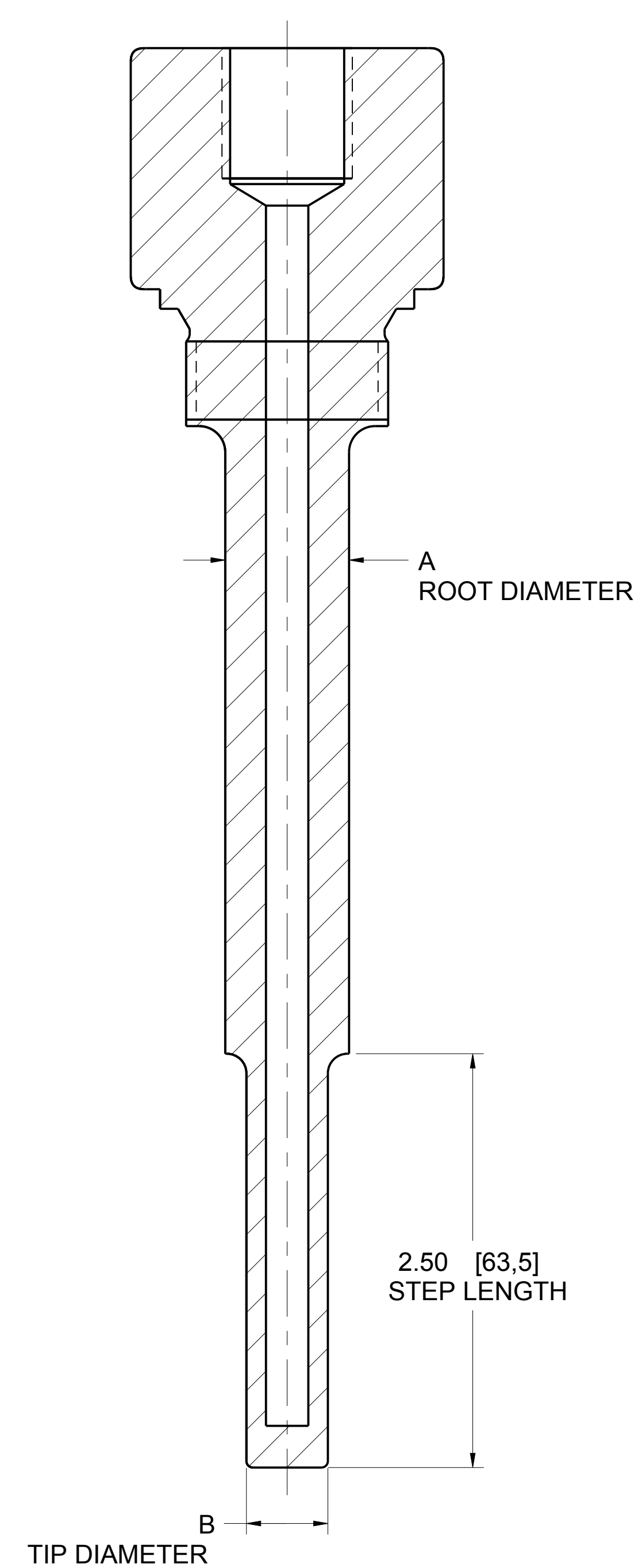


STRAIGHT

THREAD MOUNT THERMOWELLS
(PARALLEL THREAD)



TAPERED



STEPPED

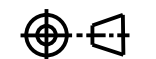
<p>©2015 ROSEMOUNT INC. ROSEMOUNT INC. CERTIFIES THIS DRAWING IS IN ACCORDANCE WITH ROSEMOUNT ENGINEERING SPECIFICATIONS. UNIT NOTES IN INCHES (mm). REFERENCE ROSEMOUNT PRODUCT SPECIFICATIONS. CLICK HERE</p>			<p>3RD ANGLE</p>	<p>SIZE D</p>	<p>SCALE NTS</p>	
	<p>TITLE ROSEMOUNT THERMOWELLS TYPE I DRAWING</p>					
	<p>DR. S.MENDULE</p>	<p>5/29/15</p>	<p>DRAWING NO.</p>	<p>00114-7000</p>		
	<p>APP'D J. REUVERS</p>	<p>7/25/15</p>	<p>CAD MAINTAINED, (PROE)</p>			<p>SHEET 3 OF 11</p>

THREAD MOUNT THERMOWELLS
(PARALLEL THREAD)

CODE	CODE	MOUNTING STYLE	HEX SIZE "F"	ROOT DIAMETER STEPPED STEM "∅ As"	ROOT DIAMETER TAPERED STEM "∅ At"	TIP DIAMETER TAPERED AND STRAIGHT STEM "∅ B"	THREAD SPECIFICATION
	T	THREADED					
	PROCESS CONNECTION "P"						
DA	M20 X 1.5		1.18 [30]	.67 [17]	.67 [17]	.5 [12.7]	THREAD PER BS3643
DB	M24 X 1.5		1.18 [30]	.75 [19]	.75 [19]	.5 [12.7]	
DC	M27 X 2		1.26 or 1.42 [32 or 36]	.75 [19]	.75 [19]	.5 [12.7]	
DD	M33 X 2		1.61 [41]	.85 [21.5]	1.04 [26.5]	.71 [18]	THREAD PER ISO 228/1(BS 2779)
DE	1/2" BSPF (G1/2)		1.06 [27]	.67 [17]	.67 [17]	.5 [12.7]	
DF	3/4" BSPF (G3/4)		1.26 [32]	.75 [19]	.75 [19]	.5 [12.7]	
DG	1" BSPF (G1)		1.61 [41]	.85 [21.5]	1.04 [26.5]	.71 [18]	

©2015 ROSEMOUNT INC.
ROSEMOUNT INC. CERTIFIES
THIS DRAWING TO BE IN
ACCORDANCE WITH
ROSEMOUNT ENGINEERING
SPECIFICATIONS.
UNIT NOTES IN INCHES (mm).

REFERENCE ROSEMOUNT
PRODUCT SPECIFICATIONS.
CLICK HERE

3RD ANGLE 

SIZE D SCALE NTS

EMERSON

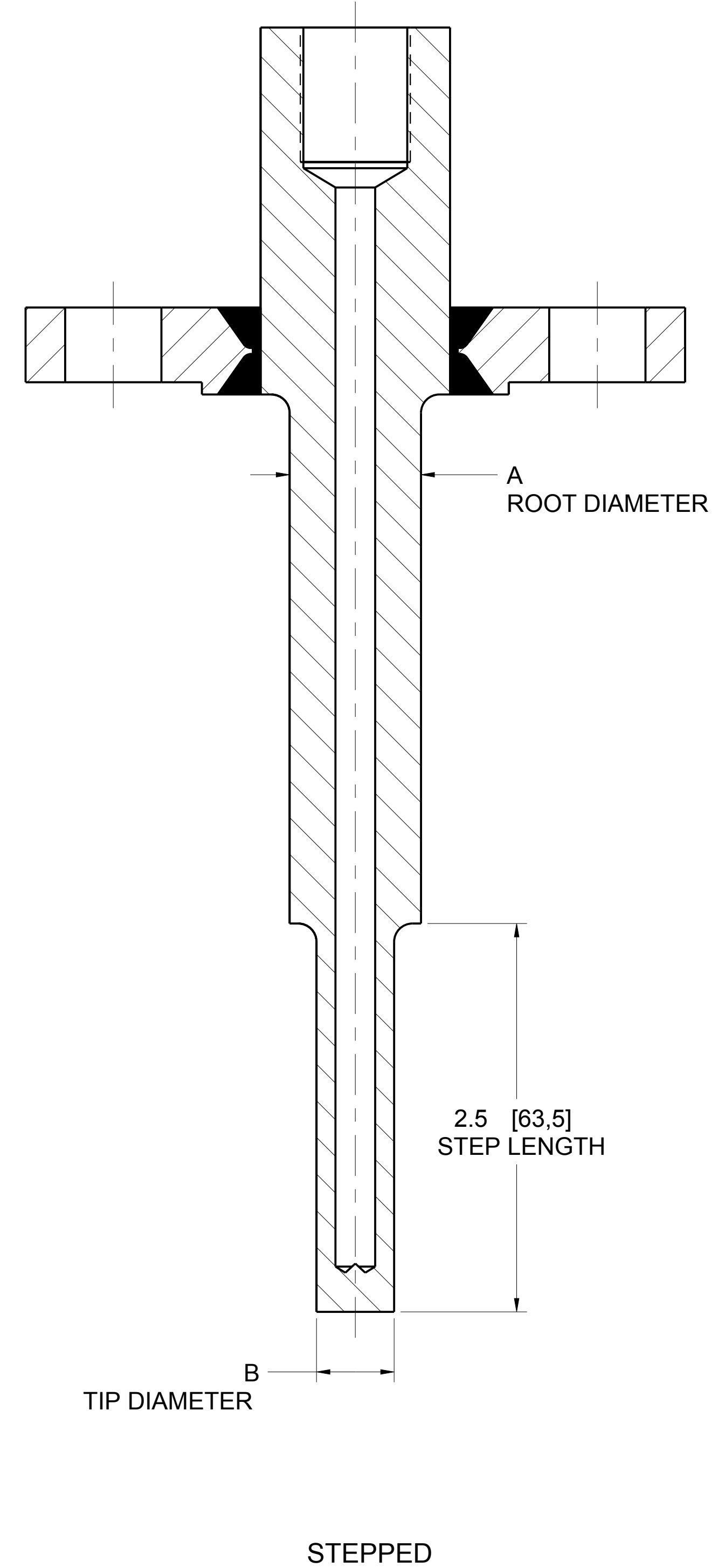
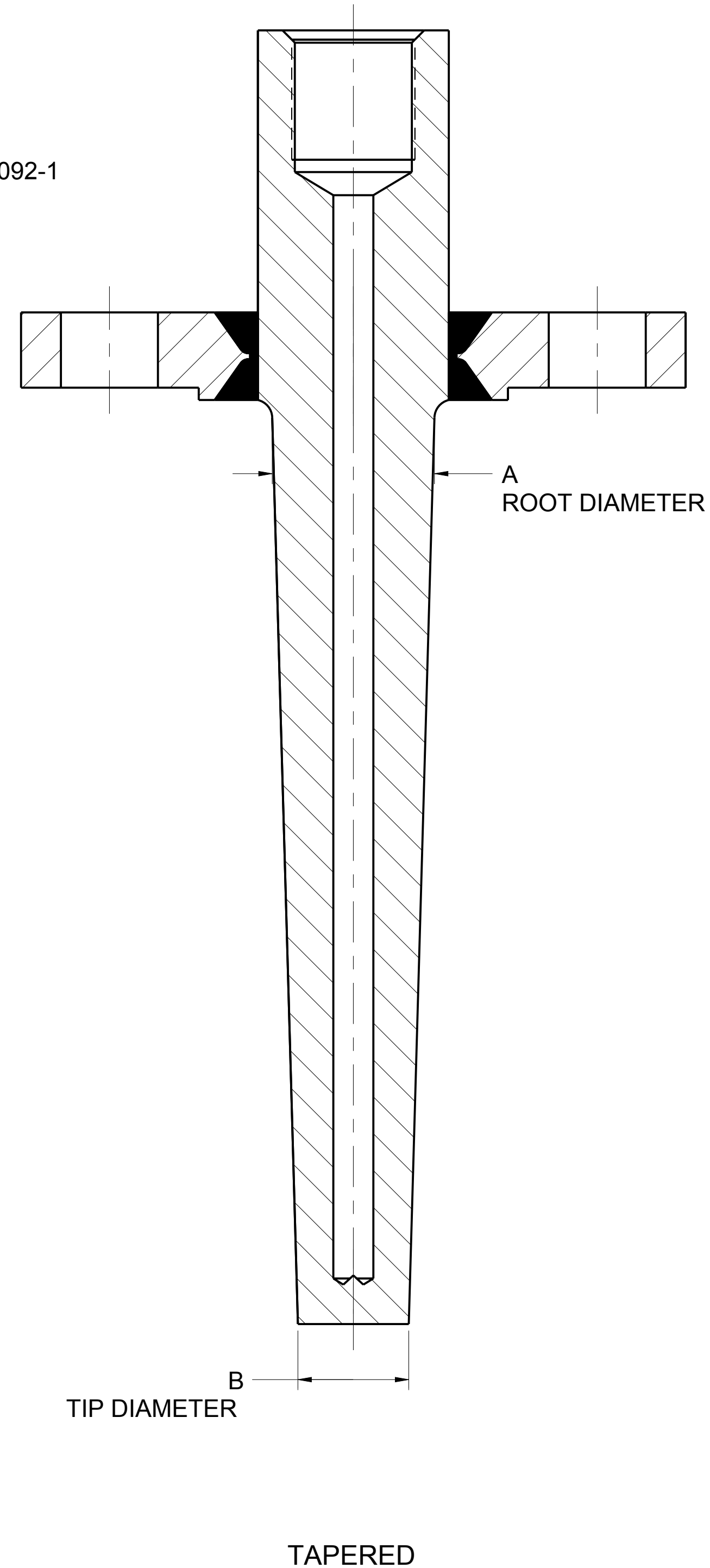
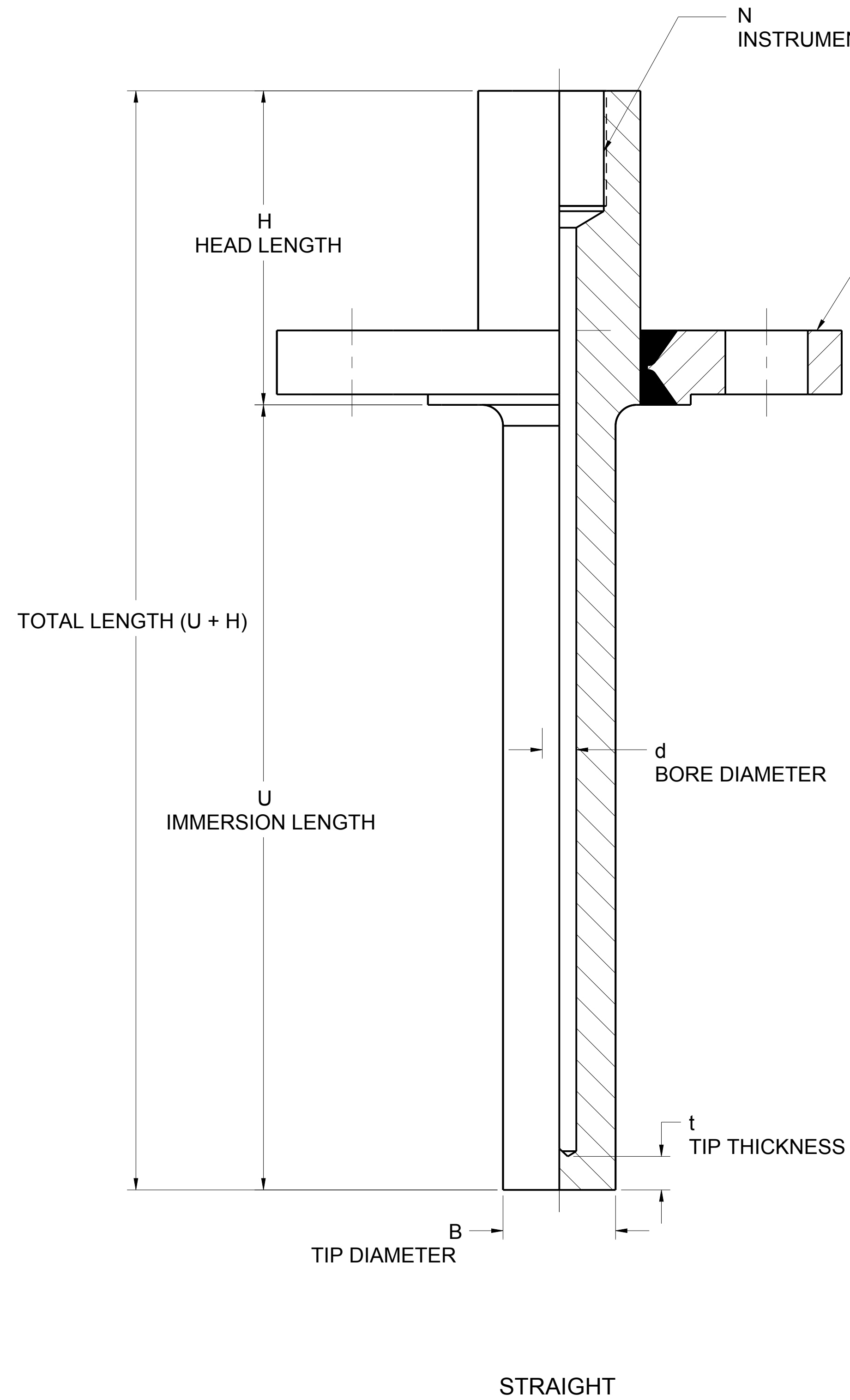
TITLE ROSEMOUNT THERMOWELLS
TYPE I DRAWING

DR. S.MENDULE 5/29/15 DRAWING NO. 00114-7000
APP'D J. REUVERS 7/25/15

CAD MAINTAINED, (PROE) SHEET 4 OF 11

ROSEMOUNT 114C BARSTOCK THERMOWELL

FLANGE MOUNT THERMOWELLS



©2015 ROSEMOUNT INC.
ROSEMOUNT INC. CERTIFIES
THIS DRAWING IS IN
ACCORDANCE WITH
ROSEMOUNT ENGINEERING
SPECIFICATIONS.
UNIT NOTES IN INCHES (mm).

REFERENCE ROSEMOUNT
PRODUCT SPECIFICATIONS.
CLICK HERE

DR. S.MENDULE 5/29/15 DRAWING NO. 00114-7000

APPD J. REUVERS 7/25/15

CAD MAINTAINED, (PROE)

SHEET 5 OF 11

EMERSON

TITLE ROSEMOUNT THERMOWELLS
TYPE I DRAWING


3RD ANGLE

SIZE D SCALE NTS


FLANGE MOUNT THERMOWELLS

CODE	CODE	MOUNTING STYLE	CODE	MOUNTING STYLE	CODE	MOUNTING STYLE	ROOT DIAMETER STEPPED STEM "Ø As"	ROOT DIAMETER TAPERED STEM "Ø At"	TIP DIAMETER TAPERED STEM "Ø Bt"	ROOT DIAMETER STRAIGHT STEM "Ø Astr"	FLANGES PER SPECIFICATION	
	P	FLANGE, PARTIAL PENETRATION WELD	F	FLANGE, FULL PENETRATION WELD	G	FLANGE, SINGLE PIECE FORGING						
	PROCESS CONNECTION											
AA		1" CLASS 150		1" CLASS 150		1" CLASS 150	.75 [19]	.89 [22.5]	.63 [16]	.75 [19]	ASME B16.5	
AB		1 1/2" CLASS 150		1 1/2" CLASS 150		1 1/2" CLASS 150	.85 [21.5]	1.04 [26.5]	.71 [18]	.85 [21.5]		
AC		2" CLASS 150		2" CLASS 150		2" CLASS 150	.85 [21.5]	1.04 [26.5]	.71 [18]	.85 [21.5]		
AD		3" CLASS 150		3" CLASS 150		3" CLASS 150	.85 [21.5]	1.04 [26.5]	.71 [18]	.85 [21.5]		
AE		4" CLASS 150		4" CLASS 150		4" CLASS 150	.85 [21.5]	1.04 [26.5]	.71 [18]	.85 [21.5]		
AF		6" CLASS 150		6" CLASS 150		6" CLASS 150	.85 [21.5]	1.04 [26.5]	.71 [18]	.85 [21.5]		
AG		3/4" CLASS 300		3/4" CLASS 300		3/4" CLASS 300	.67 [17]	.67 [17]	.5 [12.7]	.67 [17]		
AH		1" CLASS 300		1" CLASS 300		1" CLASS 300	.75 [19]	.89 [22.5]	.63 [16]	.75 [19]		
AJ		1 1/2" CLASS 300		1 1/2" CLASS 300		1 1/2" CLASS 300	.85 [21.5]	1.04 [26.5]	.71 [18]	.85 [21.5]		
AK		2" CLASS 300		2" CLASS 300		2" CLASS 300	.85 [21.5]	1.04 [26.5]	.71 [18]	.85 [21.5]		
AL		1" CLASS 400/600		1" CLASS 400/600		1" CLASS 400/600	.75 [19]	.89 [22.5]	.63 [16]	.75 [19]		
AM		1 1/2" CLASS 400/600		1 1/2" CLASS 400/600		1 1/2" CLASS 400/600	.85 [21.5]	1.04 [26.5]	.71 [18]	.85 [21.5]		
AN		2" CLASS 400/600		2" CLASS 400/600		-	.85 [21.5]	1.04 [26.5]	.71 [18]	.85 [21.5]		
FA		DN 20 / PN 2.5/6		DN 20 / PN 2.5/6		-	.67 [17]	.67 [17]	.5 [12.7]	.67 [17]		EN 1092-1
FE		DN 20 / PN 10/16/25/40		DN 20 / PN 10/16/25/40		-	.67 [17]	.67 [17]	.5 [12.7]	.67 [17]		
FG		DN 20 / PN 63/100		DN 20 / PN 63/100		-	.67 [17]	.67 [17]	.5 [12.7]	.67 [17]		
GA		DN 25 / PN 2.5/6		DN 25 / PN 2.5/6		-	.75 [19]	.75 [19]	.5 [12.7]	.75 [19]		
GE		DN 25 / PN 10/16/25/40		DN 25 / PN 10/16/25/40		-	.75 [19]	.75 [19]	.5 [12.7]	.75 [19]		
GG		DN 25 / PN 63/100		DN 25 / PN 63/100		-	.75 [19]	.75 [19]	.5 [12.7]	.75 [19]		
JA		DN 40 / PN 2.5/6		DN 40 / PN 2.5/6		-	.85 [21.5]	1.04 [26.5]	.71 [18]	.85 [21.5]		
JE		DN 40 / PN 10/16/25/40		DN 40 / PN 10/16/25/40		-	.85 [21.5]	1.04 [26.5]	.71 [18]	.85 [21.5]		
JG		DN 40 / PN 63/100		DN 40 / PN 63/100		-	.85 [21.5]	1.04 [26.5]	.71 [18]	.85 [21.5]		
KA		DN 50 / PN 2.5/6		DN 50 / PN 2.5/6		-	.85 [21.5]	1.04 [26.5]	.71 [18]	.85 [21.5]		
KC		DN 50 / PN 10/16		DN 50 / PN 10/16		-	.85 [21.5]	1.04 [26.5]	.71 [18]	.85 [21.5]		
KE		DN 50 / PN 25/40		DN 50 / PN 25/40		-	.85 [21.5]	1.04 [26.5]	.71 [18]	.85 [21.5]		
KF		DN 50 / PN 63		DN 50 / PN 63		-	.85 [21.5]	1.04 [26.5]	.71 [18]	.85 [21.5]		
KG		DN 50 / PN 100		DN 50 / PN 100		-	.85 [21.5]	1.04 [26.5]	.71 [18]	.85 [21.5]		

©2015 ROSEMOUNT INC.
ROSEMOUNT INC. CERTIFIES
THIS DRAWING TO BE IN
ACCORDANCE WITH
ROSEMOUNT ENGINEERING
SPECIFICATIONS.
UNIT NOTES IN INCHES (mm).
REFERENCE ROSEMOUNT
PRODUCT SPECIFICATIONS.
CLICK HERE



EMERSON

3RD ANGLE 

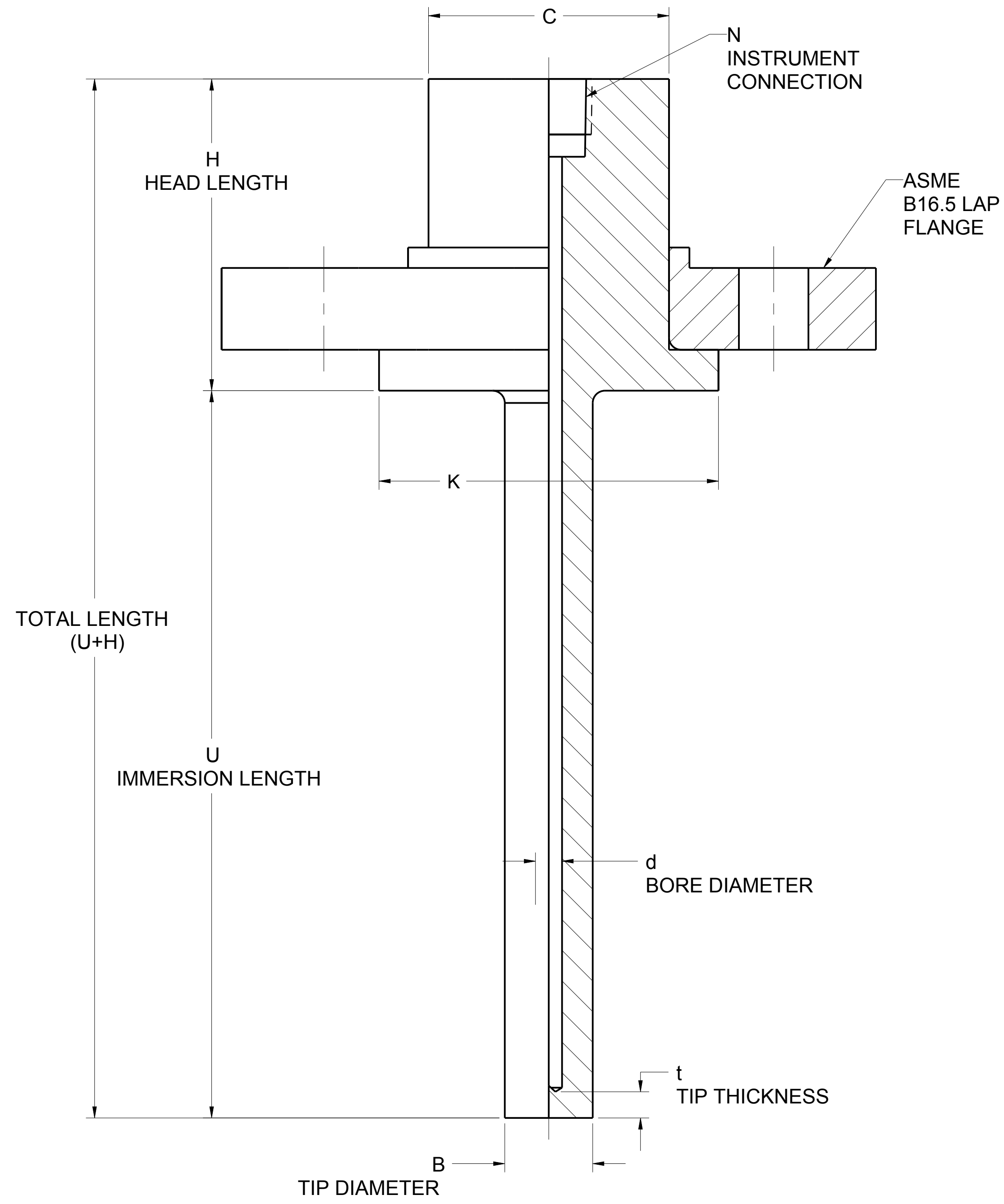
SIZE D SCALE NTS

TITLE ROSEMOUNT THERMOWELLS
TYPE I DRAWING

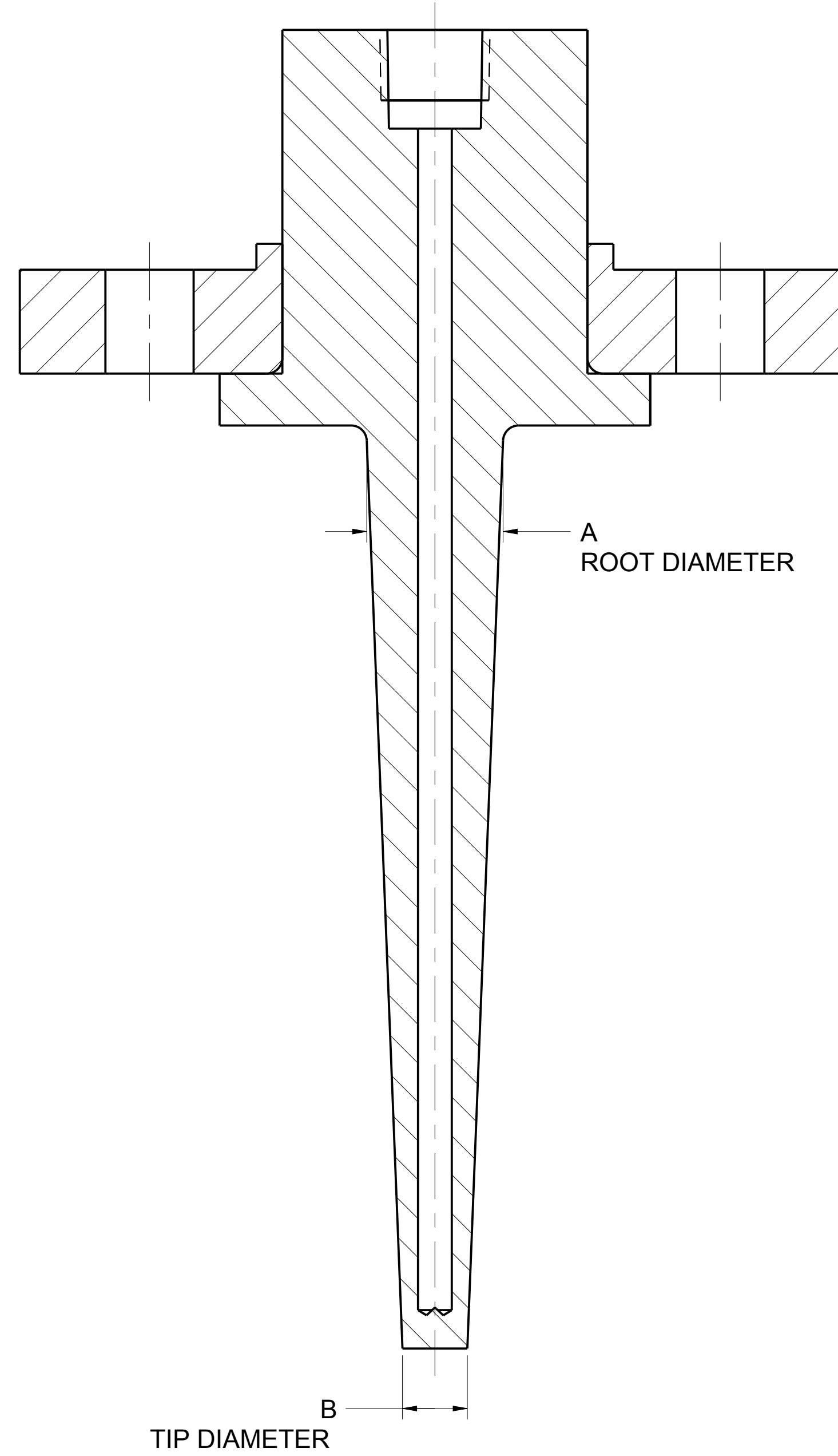
DR. S.MENDULE	5/29/15	DRAWING NO.	
APPD J. REUVERS	7/25/15		00114-7000
CAD MAINTAINED, (PROE)			SHEET 6 OF 11

ROSEMOUNT 114C BARSTOCK THERMOWELL

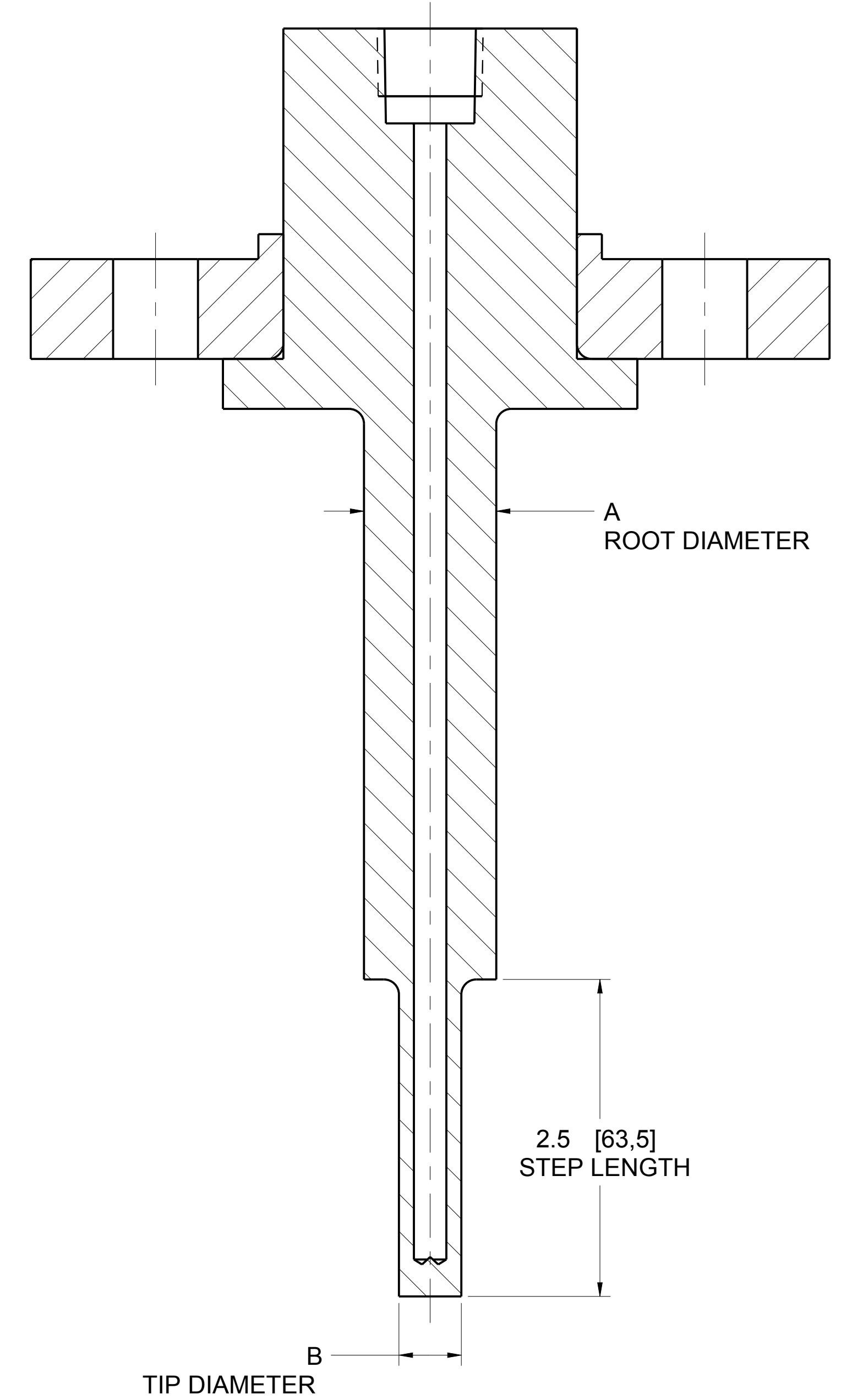
VAN STONE/ LAP FLANGE THERMOWELLS



STRAIGHT



TAPERED



STEPPED

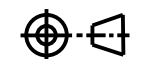
©2015 ROSEMOUNT INC. ROSEMOUNT INC. CERTIFIES THIS DRAWING AS BEING ACCORDANCE WITH ROSEMOUNT ENGINEERING SPECIFICATIONS. UNIT NOTES IN INCHES (mm). REFERENCE ROSEMOUNT PRODUCT SPECIFICATIONS. CLICK HERE	3RD ANGLE	SIZE D	SCALE NTS
	TITLE ROSEMOUNT THERMOWELLS TYPE I DRAWING		
	DR. S.MENDULE 5/29/15 APP'D J. REUVERS 7/25/15	DRAWING NO. 00114-7000	SHEET 7 OF 11

VAN STONE/ LAP FLANGE THERMOWELLS

CODE	CODE	MOUNTING STYLE	LAGGING DIAMETER "Ø C"	STUB DIAMETER "Ø K" STANDARD RAISED FACE	STUB DIAMETER "Ø K" RING TYPE JOINT OPTION R16	STUB THICKNESS "F" STANDARD RAISED FACE	STUB THICKNESS "F" RING TYPE JOINT OPTION R16	ROOT DIAMETER STEPPED STEM "Ø As"	ROOT DIAMETER TAPERED STEM "Ø At"	TIP DIAMETER TAPERED STEM "Ø Bt"	ROOT DIAMETER STRAIGHT STEM "Ø Astr"
	V	VAN STONE , LAP FLANGE									
	PROCESS CONNECTION										
AA		1" CLASS 150	1.31 [33.4]	1.99 [50.8]	2.50 [63.5]	.394 [10]	.644 [16.35]	.75 [19]	.89 [22.5]	.63 [16]	.75 [19]
AB		1 1/2" CLASS 150	1.90 [48.3]	2.87 [73]	3.25 [82.5]		.644 [16.35]	.85 [21.5]	1.04 [26.5]	.71 [18]	.85 [21.5]
AC		2" CLASS 150	2.37 [60.3]	3.62 [92.1]	4 [102]		.644 [16.35]	.85 [21.5]	1.04 [26.5]	.71 [18]	.85 [21.5]
AH		1" CLASS 300	1.31 [33.4]	1.99 [50.8]	2.75 [70]		.644 [16.35]	.75 [19]	.89 [22.5]	.63 [16]	.75 [19]
AJ		1 1/2" CLASS 300	1.90 [48.3]	2.87 [73]	3.56 [90.5]		.644 [16.35]	.85 [21.5]	1.04 [26.5]	.71 [18]	.85 [21.5]
AK		2" CLASS 300	2.37 [60.3]	3.62 [92.1]	4.25 [108]		.707 [17.92]	.85 [21.5]	1.04 [26.5]	.71 [18]	.85 [21.5]
AL		1" CLASS 400/600	1.31 [33.4]	1.99 [50.8]	2.75 [70]		.644 [16.35]	.75 [19]	.89 [22.5]	.63 [16]	.75 [19]
AM		1 1/2" CLASS 400/600	1.90 [48.3]	2.87 [73]	3.56 [90.5]		.644 [16.35]	.85 [21.5]	1.04 [26.5]	.71 [18]	.85 [21.5]
AN		2" CLASS 400/600	2.37 [60.3]	3.62 [92.1]	4.25 [108]		.707 [17.92]	.85 [21.5]	1.04 [26.5]	.71 [18]	.85 [21.5]
AP		1" CLASS 900/1500	1.31 [33.4]	1.99 [50.8]	2.81 [71.5]		.644 [16.35]	.75 [19]	.89 [22.5]	.63 [16]	.75 [19]
AQ		1 1/2" CLASS 900/1500	1.90 [48.3]	2.87 [73]	3.62 [92]		.644 [16.35]	.85 [21.5]	1.04 [26.5]	.71 [18]	.85 [21.5]
AR		2" CLASS 900/1500	2.37 [60.3]	3.62 [92.1]	4.88 [124]		.707 [17.92]	.85 [21.5]	1.04 [26.5]	.71 [18]	.85 [21.5]
AS		1" CLASS 2500	1.31 [33.4]	1.99 [50.8]	3.25 [82.5]		.644 [16.35]	.75 [19]	.89 [22.5]	.63 [16]	.75 [19]
AT		1 1/2" CLASS 2500	1.90 [48.3]	2.87 [73]	4.50 [114]		.707 [17.92]	.85 [21.5]	1.04 [26.5]	.71 [18]	.85 [21.5]
AU		2" CLASS 2500	2.37 [60.3]	3.62 [92.1]	5.25 [133]		.707 [17.92]	.85 [21.5]	1.04 [26.5]	.71 [18]	.85 [21.5]

©2015 ROSEMOUNT INC.
ROSEMOUNT INC. CERTIFIES
THIS DRAWING TO BE IN
ACCORDANCE WITH
ROSEMOUNT ENGINEERING
SPECIFICATIONS.
UNIT NOTES IN INCHES (mm).

REFERENCE ROSEMOUNT
PRODUCT SPECIFICATIONS.
CLICK HERE

3RD ANGLE  SIZE D SCALE NTS

EMERSON

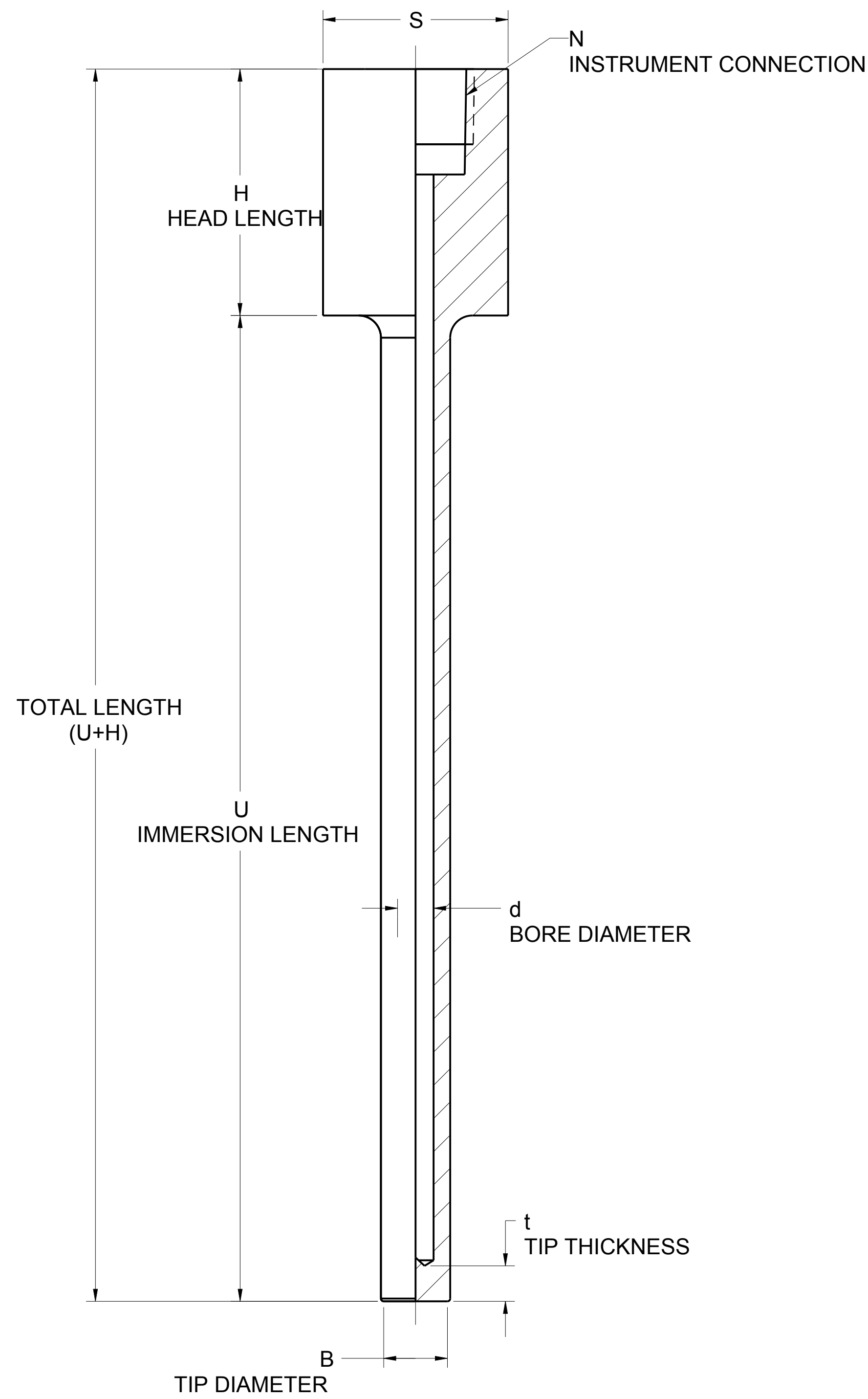
TITLE ROSEMOUNT THERMOWELLS
TYPE I DRAWING

DR. S.MENDULE 5/29/15 DRAWING NO. 00114-7000
APPD J. REUVERS 7/25/15

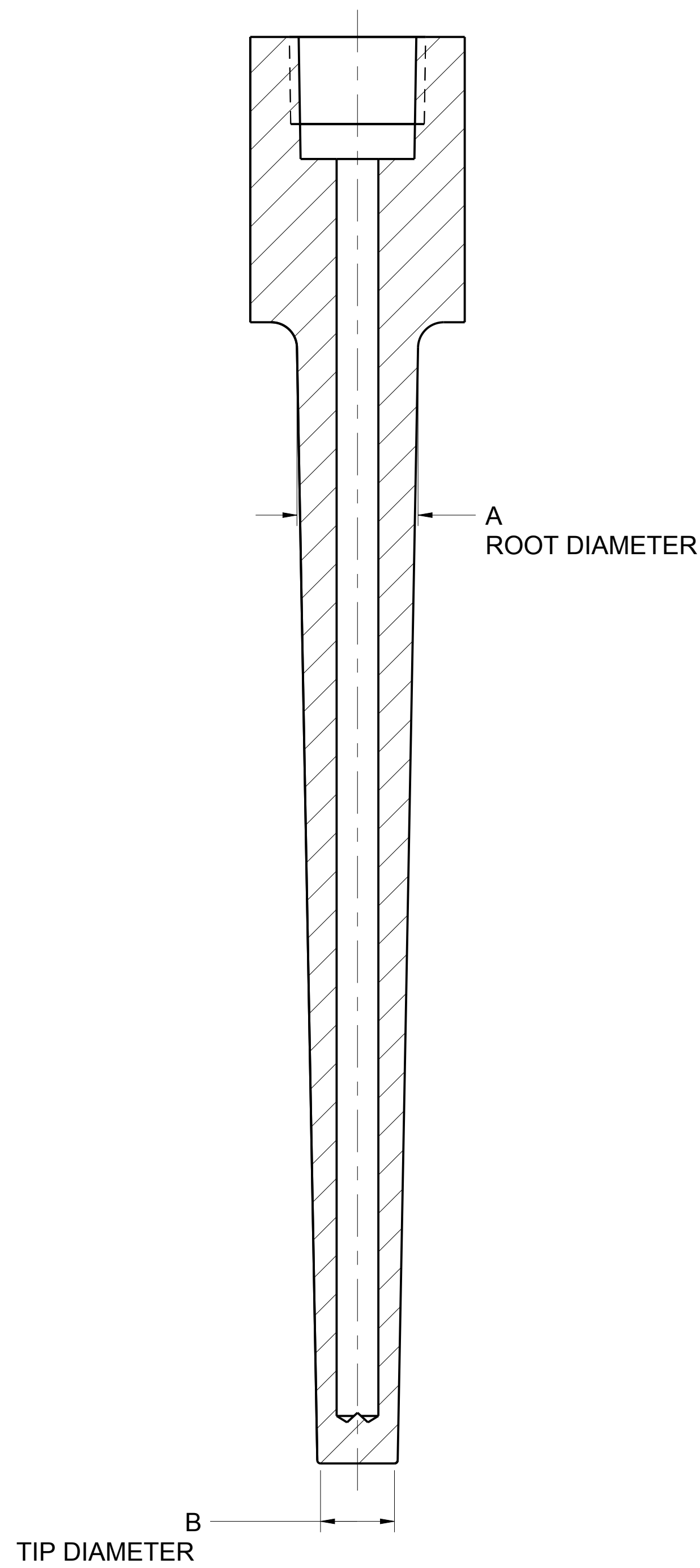
CAD MAINTAINED, (PROE) SHEET 8 OF 11

ROSEMOUNT 114C BARSTOCK THERMOWELL

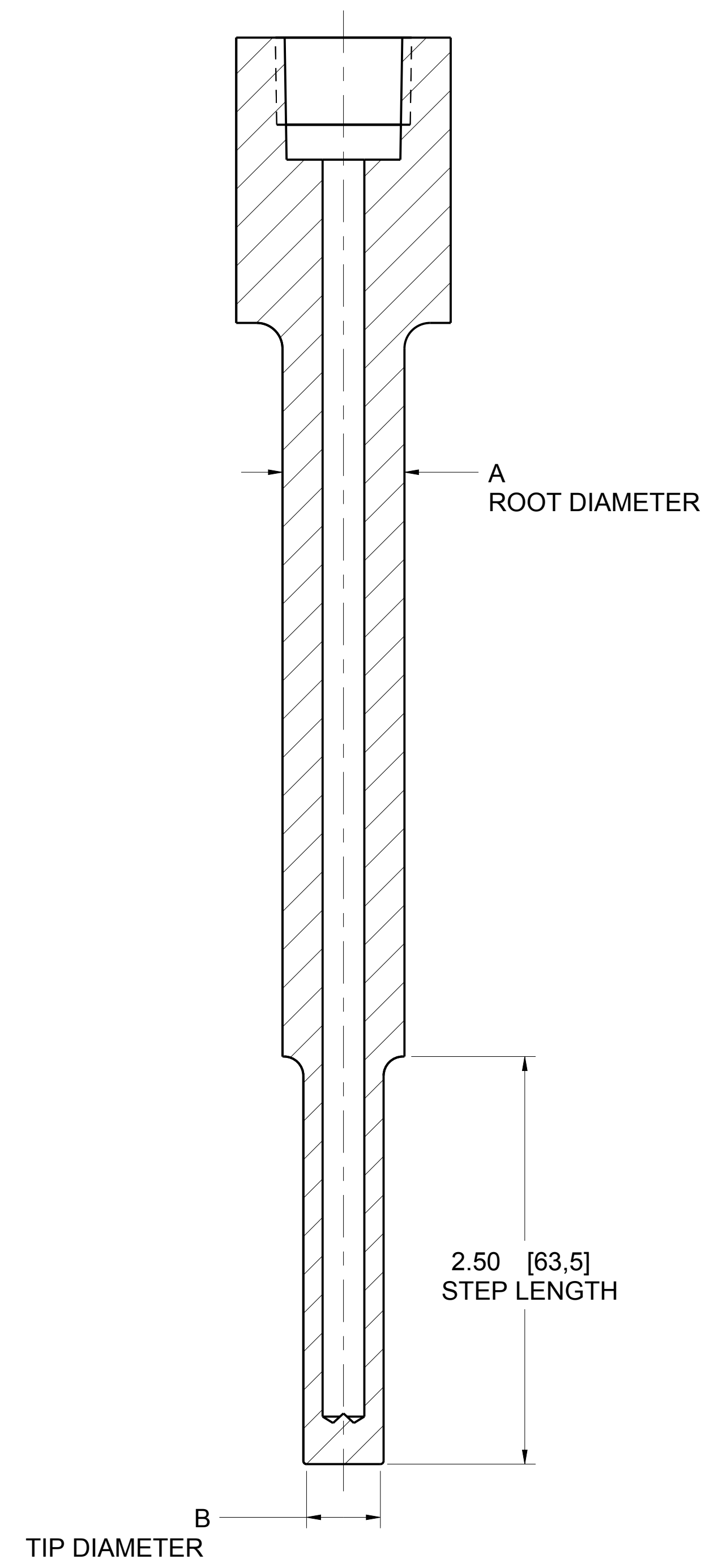
WELD MOUNT THERMOWELLS - SOCKET WELD



STRAIGHT



TAPERED



STEPPED

CODE	CODE	MOUNTING STYLE	SOCKET SIZE "Ø S"	ROOT DIAMETER "Ø A"	TIP DIAMETER "Ø B"
	W	WELDED			
PROCESS CONNECTION					
AA	3/4" PIPE		1.05 [26.67]	.75 [19]	.5 [12.7]
AB	1" PIPE		1.32 [33.40]	.75 [19]	.5 [12.7]
AC	1 1/4" PIPE		1.66 [42.16]	.75 [19]	.5 [12.7]
AD	1 1/2" PIPE		1.90 [48.26]	.75 [19]	.5 [12.7]

©2015 ROSEMOUNT INC.
ROSEMOUNT INC. CERTIFIES
THIS DRAWING IS IN
ACCORDANCE WITH
ROSEMOUNT ENGINEERING
SPECIFICATIONS.
UNIT NOTES IN INCHES (mm).
REFERENCE ROSEMOUNT
PRODUCT SPECIFICATIONS.
CLICK HERE

3RD ANGLE

SIZE D SCALE NTS

EMERSON

TITLE ROSEMOUNT THERMOWELLS
TYPE I DRAWING

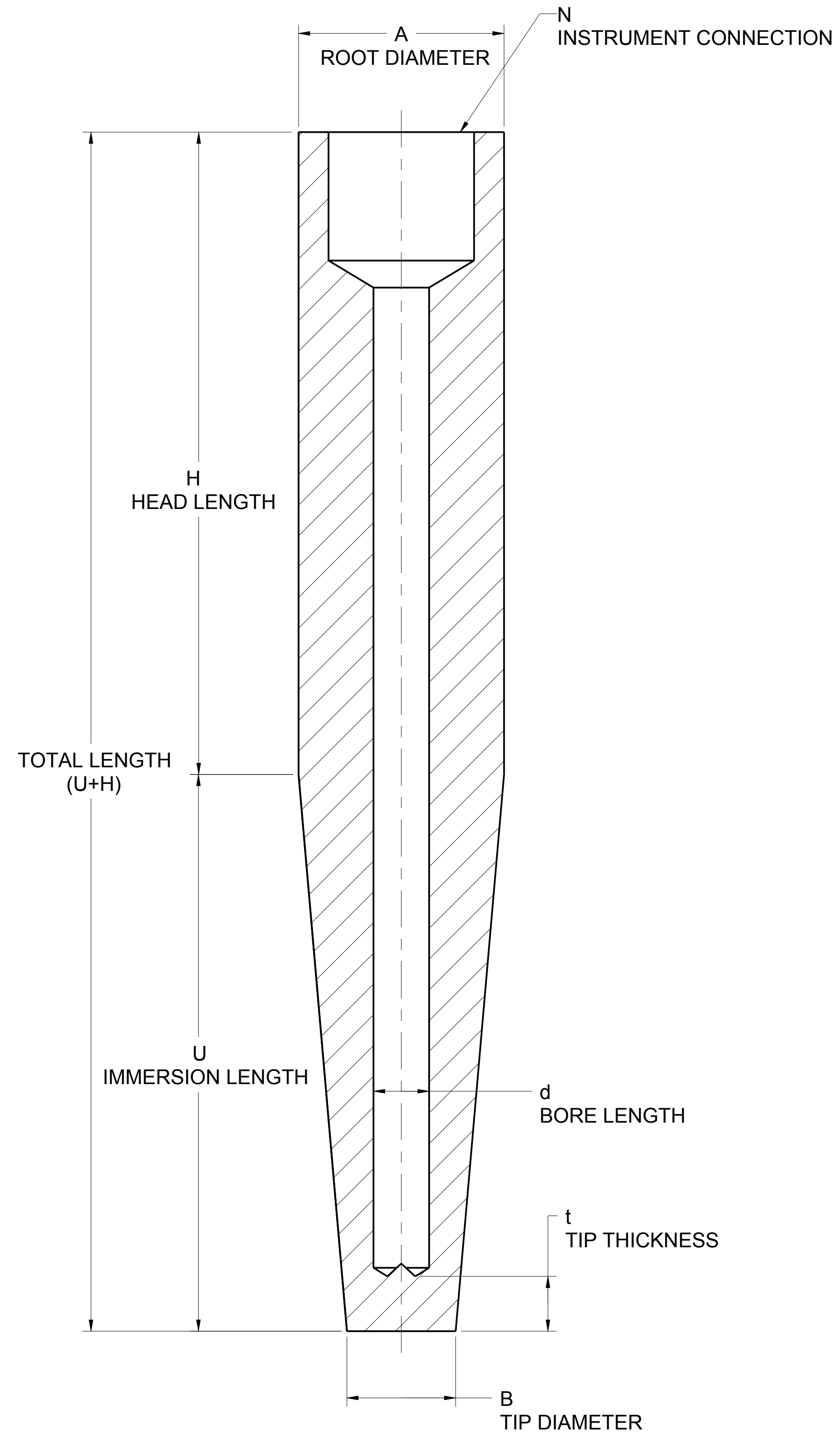
DR. S.MENDULE 5/29/15 DRAWING NO. 00114-7000
APPD J. REUVERS 7/25/15

CAD MAINTAINED, (PROE) SHEET 9 OF 11

ROSEMOUNT 114C BARSTOCK THERMOWELL

WELD MOUNT - WELD-IN THERMOWELLS

CODE	CODE	MOUNTING STYLE	ROOT DIAMETER "Ø A"	TIP DIAMETER "Ø B"
	D	WELDED-WELD-IN PROCESS CONNECTION		
AA		3/4" PIPE	26.67 [1.050]	19 [.748]
AB		1" PIPE	33.40 [1.315]	21.5 [.846]
AC		1 1/4" PIPE	42.16 [1.660]	26.5 [1.043]
AD		1 1/2" PIPE	48.26 [1.900]	31.75 [1.250]
AE		CUSTOM	SPECIFIED BY DESIGN M ODIFIER "AXXX"	SPECIFIED BY DESIGN MODIFIER "BXXX"



©2015 ROSEMOUNT INC.
ROSEMOUNT INC. CERTIFIES
THIS DRAWING TO BE IN
ACCORDANCE WITH
ROSEMOUNT ENGINEERING
SPECIFICATIONS.
UNIT NOTES IN INCHES (mm).
REFERENCE ROSEMOUNT
PRODUCT SPECIFICATIONS.
CLICK HERE

3RD ANGLE

EMERSON

TITLE ROSEMOUNT THERMOWELLS
TYPE I DRAWING

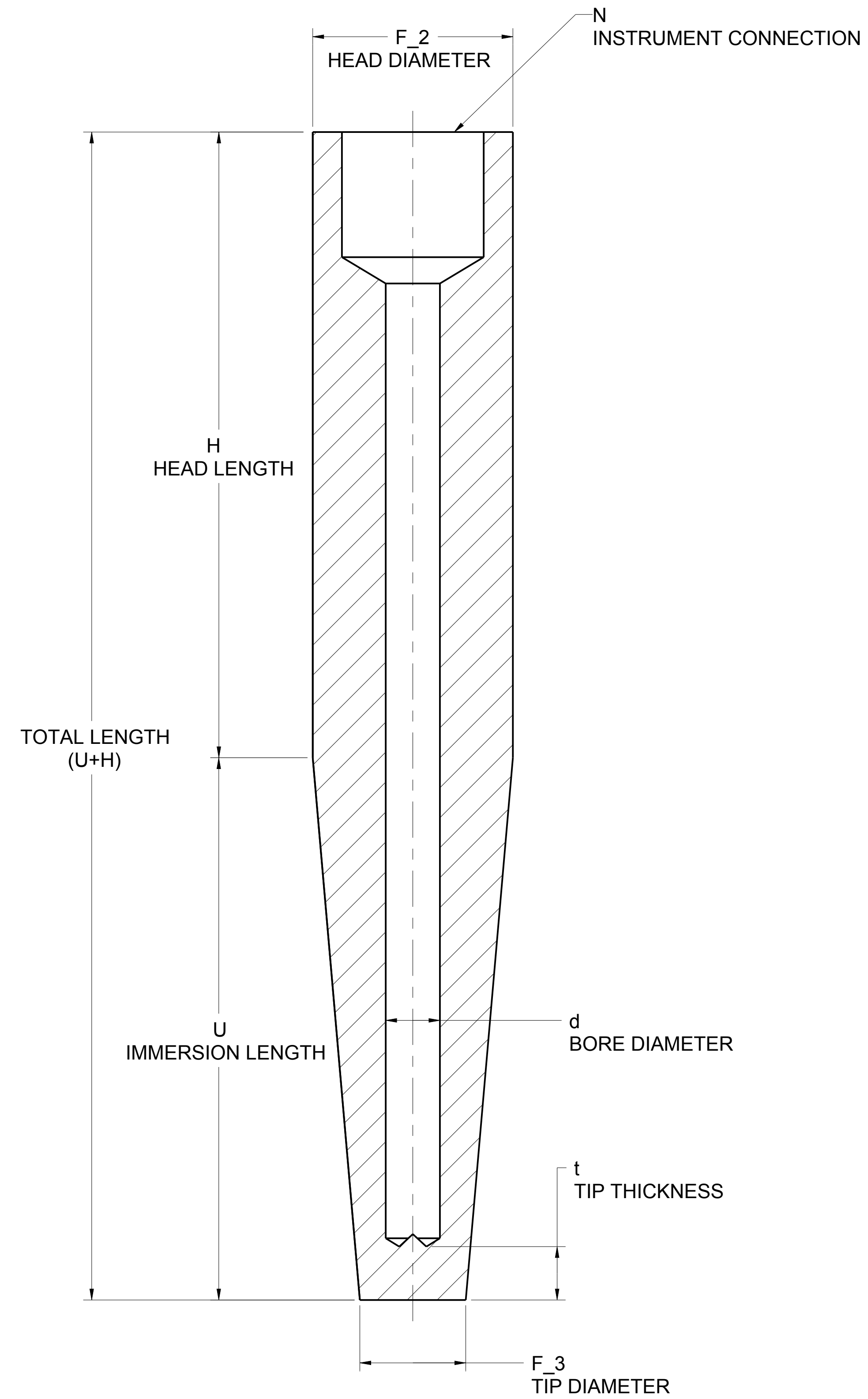
DR. S.MENDULE 5/29/15 DRAWING NO. 00114-7000
APPD J. REUVERS 7/25/15

CAD MAINTAINED, (PROE) SHEET 10 OF 11

ROSEMOUNT 114C BARSTOCK THERMOWELL

WELD MOUNT THERMOWELLS - DIN FORM 4

CODE	CODE	MOUNTING STYLE	HEAD DIAMETER \varnothing F_2"	TIP DIAMETER \varnothing F_3"
	D	WELDED - WELD-IN PROCESS CONNECTION		
DA	DIN 43772-4-7 (18 h7 / 3.5MM BORE / M14)		18 h7 (+0.000/-0.018MM)	9± 0.27
DB	DIN 43772-4-7 (24 h7 / 7MM BORE / M18)		24 h7 (+0.000/-0.021MM)	12.5± 0.38
DC	DIN 43772-4-7 (26 h7 / 7MM BORE / G1/2 OR M20)		26 h7 (+0.000/-0.021MM)	12.5± 0.38
DD	DIN 43772-4-7 (26 h7 / 9MM BORE / G1/2 OR M20)		26 h7 (+0.000/-0.021MM)	15± 0.38
DE	DIN 43772-4-7 (32 h11 / 11MM BORE / G3/4 OR M27)		32 h11 (+0.000/-0.160MM)	17± 0.38



©2015 ROSEMOUNT INC.
ROSEMOUNT INC. CERTIFIES
THIS DRAWING IS MADE IN
ACCORDANCE WITH
ROSEMOUNT ENGINEERING
SPECIFICATIONS.
UNIT NOTES IN INCHES (mm).

REFERENCE ROSEMOUNT
PRODUCT SPECIFICATIONS.
CLICK HERE

3RD ANGLE

SIZE D SCALE NTS

EMERSON

TITLE ROSEMOUNT THERMOWELLS
TYPE I DRAWING

DR. S.MENDULE 5/29/15 DRAWING NO. 00114-7000

APP'D J. REUVERS 7/25/15

CAD MAINTAINED, (PROE) SHEET 11 OF 11