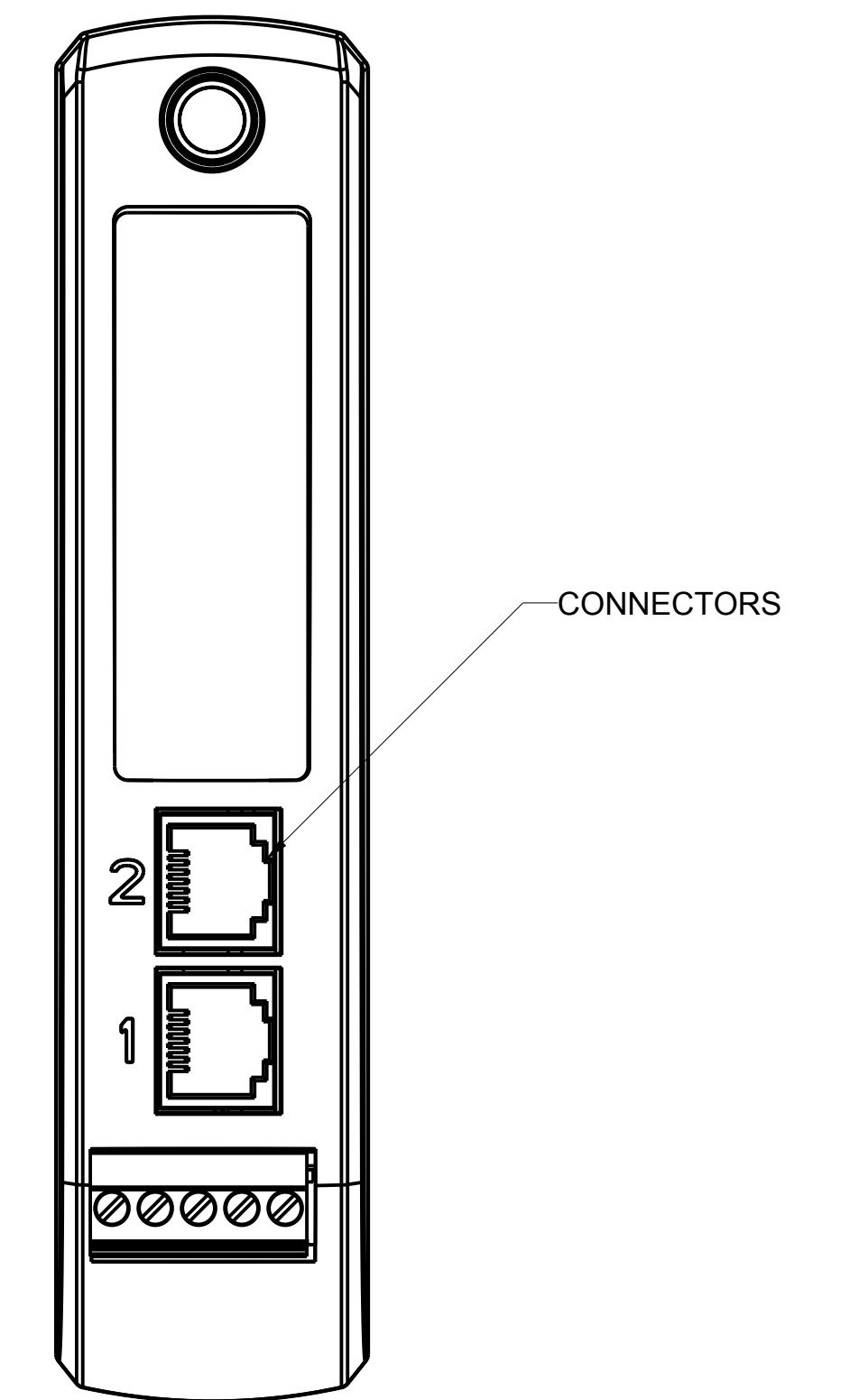
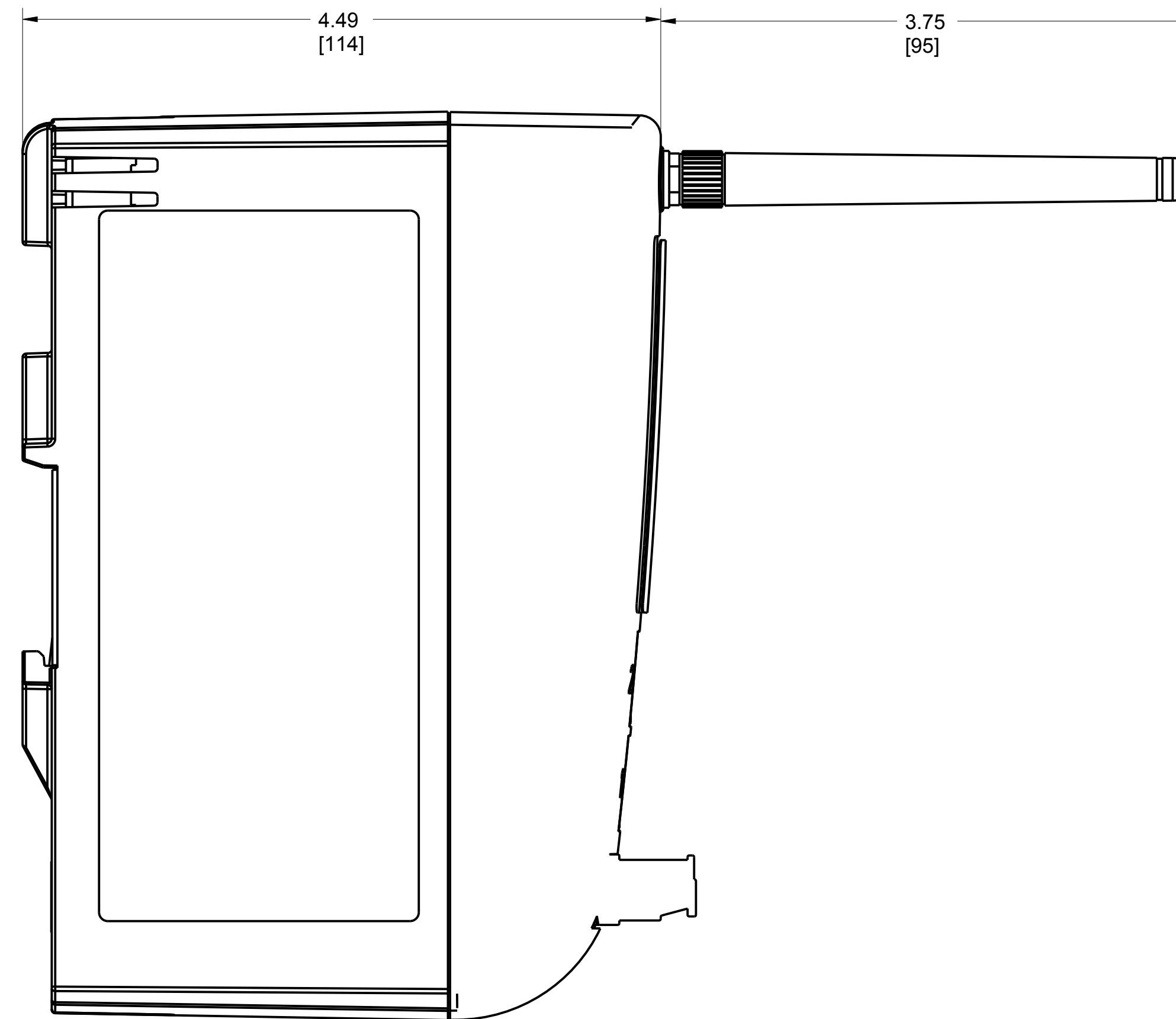
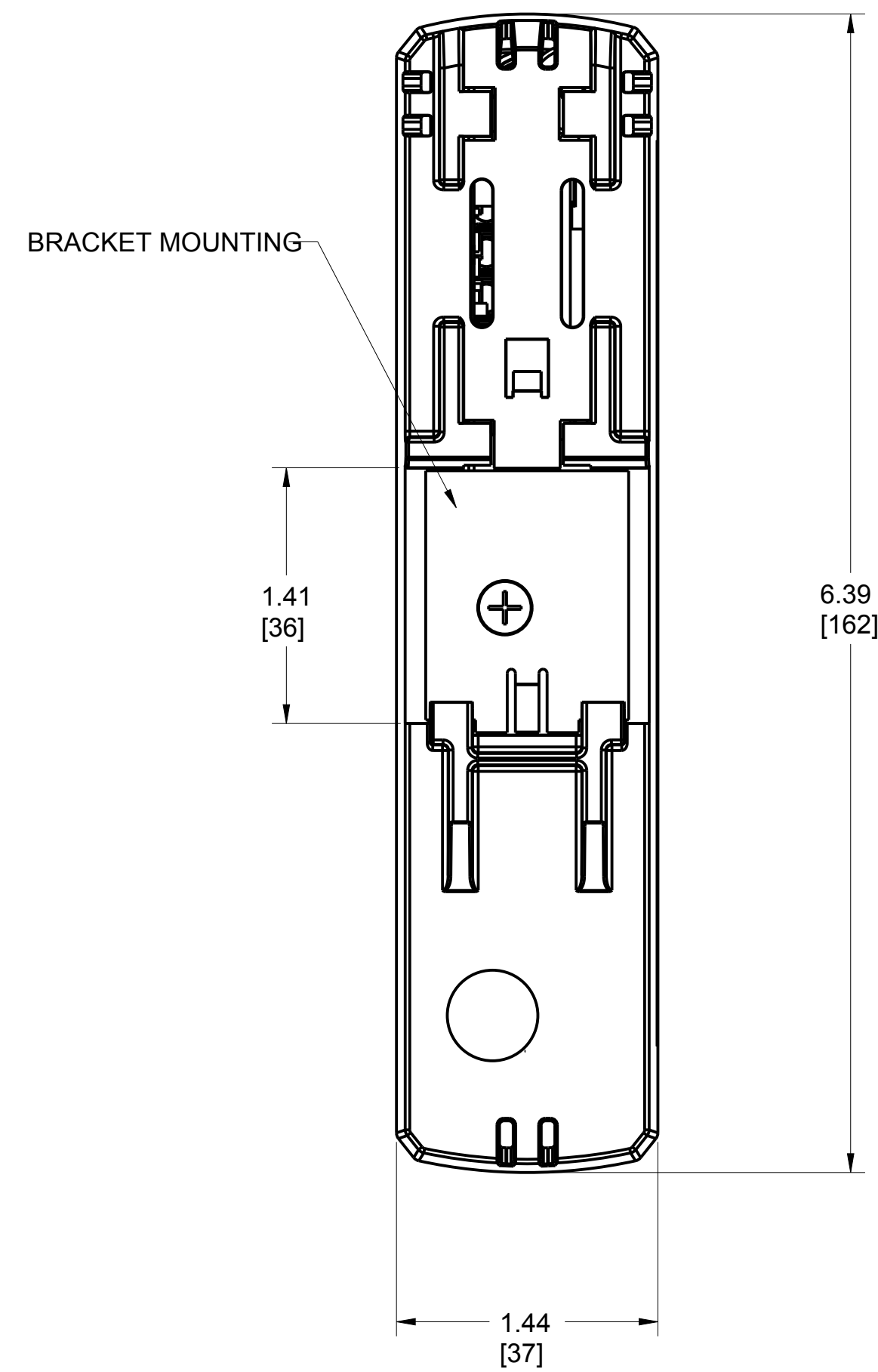


EMERSON SMART WIRELESS GATEWAY 1410

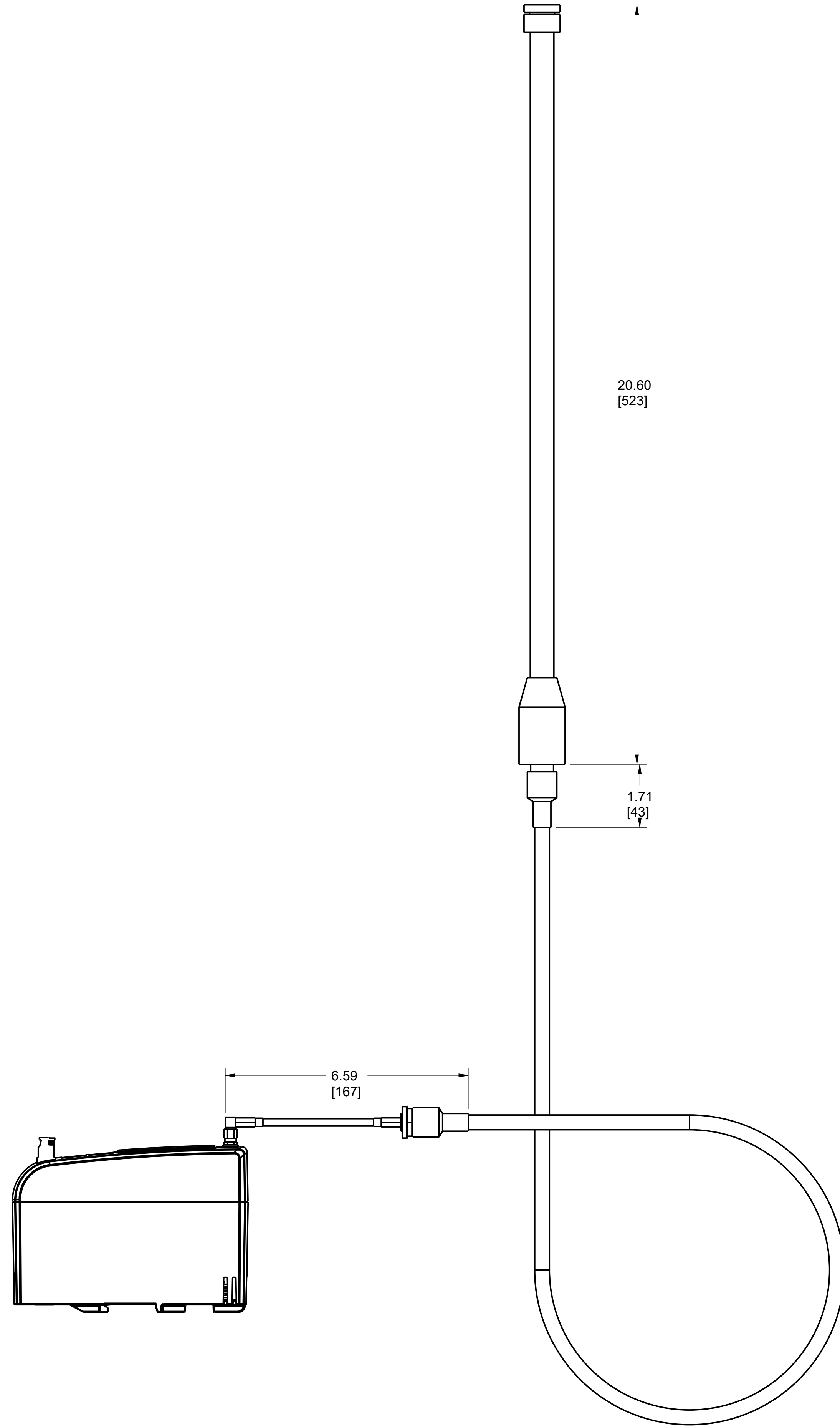
REVISION TABLE			
REVISION	ECO NO.	APP'D	DATE
AB	RTC106XXXX	J.V.	7/11/14
DESCRIPTION			
UPDATE WITH 1410D AND LABEL SIZES			



<small>UNLESS OTHERWISE SPECIFIED DIMENSIONS AND TOLERANCES SHOWN HEREIN ARE IN INCHES UNLESS OTHERWISE SPECIFIED. ALL DIMENSIONS AND TOLERANCES ARE TO BE MAINTAINED ACCORDINGLY. EMERSON</small>	CUSTOMER	***	3RD ANGLE		SIZE	SCALE	REV
	CUSTOMER DWG NO.	***	D	1/6	AB		
	P.O. No.	***					
	S.O. No.	***					
PROJECT NAME	DR. J.ARMSTRONG	8-7-13	DRAWING NO.		01410-7000		
	APP'D J.VANDERAA	8-15-13					
DO NOT SCALE PRINT	CAD MAINTAINED, (PRO/E)	PRODUCT CODE	-	DOC TYPE	-	SHEET 1	OF 3

DRAWING NO. 01410-7000
 TAG NO. GAL

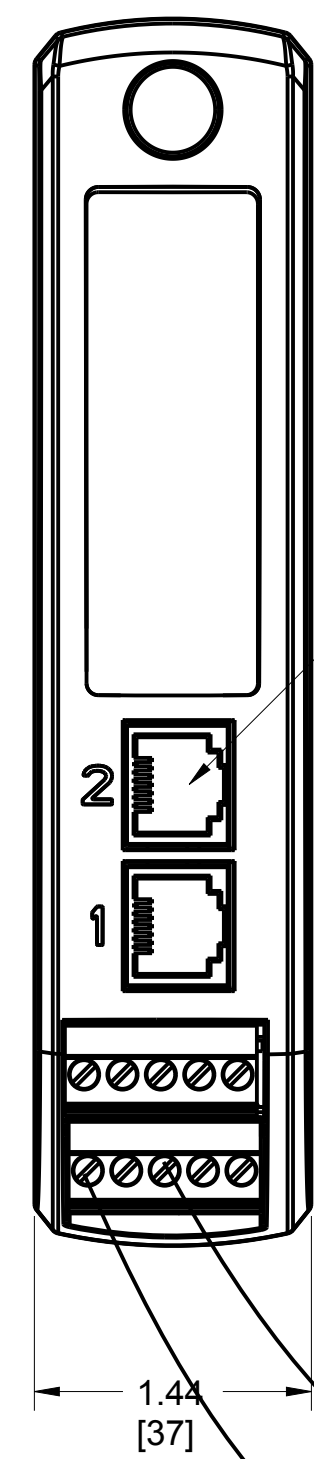
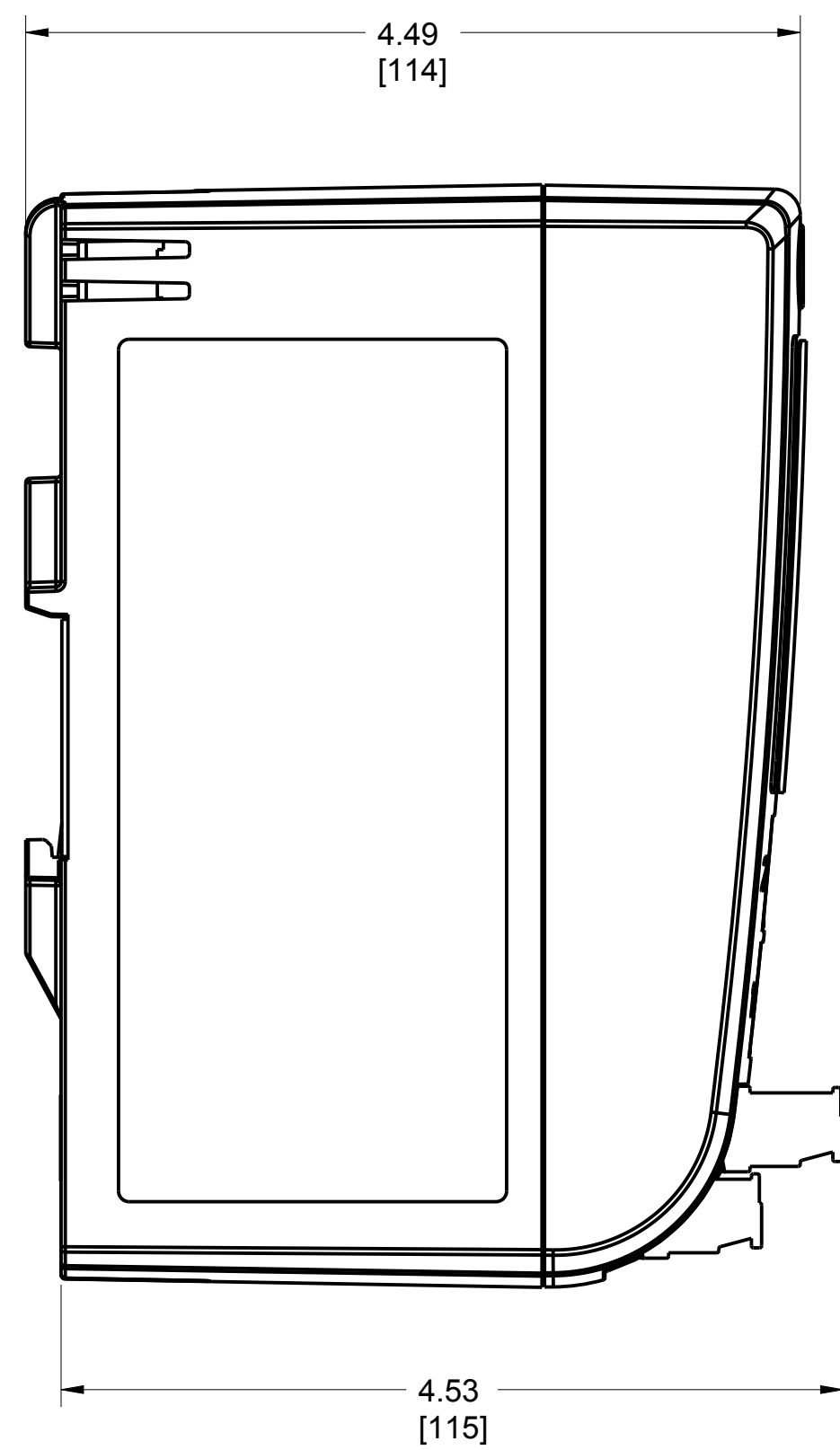
SMART WIRELESS GATEWAY 1410
WITH REMOTE ANTENNA



<small>UNLESS OTHERWISE SPECIFIED DIMENSIONS AND TOLERANCES AND INFORMATION CONTAINED HEREIN MUST BE HANDLED ACCORDINGLY. EMERSON</small>	CUSTOMER	***	3RD ANGLE		SIZE	SCALE	REV
	CUSTOMER DWG NO.	***	D	1/6	AB		
	P.O. No.	***					
	S.O. No.	***	TITLE SMART WIRELESS GATEWAY 1410				
PROJECT NAME	DR. J.ARMSTRONG	8-7-13	DRAWING NO.		01410-7000		
	APP'D J.VANDERAA	8-15-13					
DO NOT SCALE PRINT	CAD MAINTAINED, (PRO/E)	PRODUCT CODE	-	DOC TYPE	-	SHEET 2 OF 3	

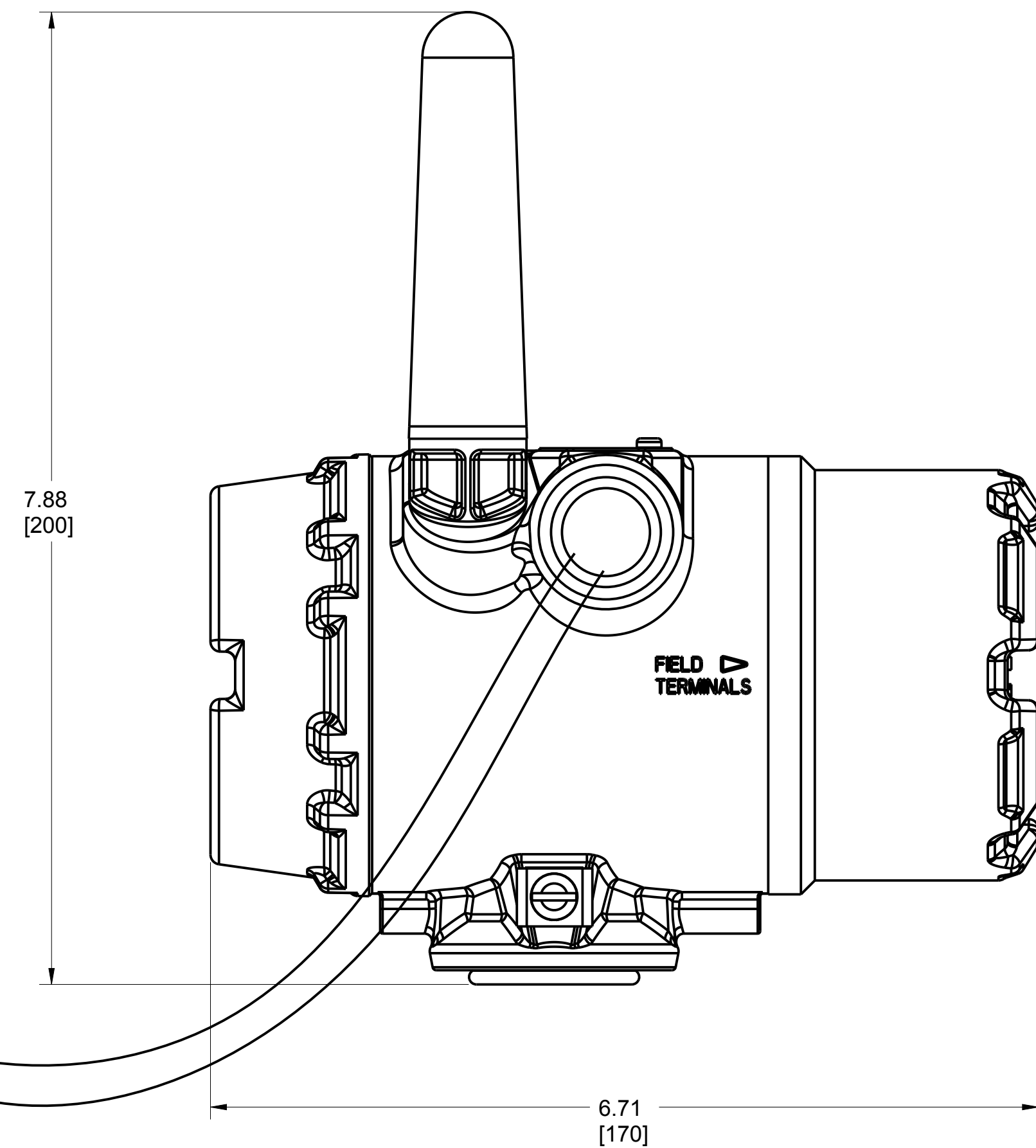
DRAWING NO. 01410-7000
 TAG NO. CAL

GATEWAY 1410D WITH
781 SMART WIRELESS FIELD LINK



CONNECTORS

CABLE NOT PROVIDED



<small>UNLESS OTHERWISE SPECIFIED DIMENSIONS AND TOLERANCES GOVERN OVER ALL OTHERS. ALL DIMENSIONS ARE IN INCHES UNLESS OTHERWISE SPECIFIED. EMERSON INFORMATION WITHIN THIS DRAWING IS UNCLASSIFIED EXCEPT WHERE SHOWN OTHERWISE. NOTICE: NOT INTENDED FOR REPRODUCTION OR FOR ENGINEERING INFORMATION.</small>	CUSTOMER	***	3RD ANGLE	SIZE D	SCALE 1/6	REV AB
	CUSTOMER DWG NO.	***				
	P.O. No.	***				
	S.O. No.	***	TITLE SMART WIRELESS GATEWAY 1410			
PROJECT NAME	DR. J.ARMSTRONG	8-7-13	DRAWING NO.	01410-7000		
	APP'D J.VANDERAA	8-15-13				
DO NOT SCALE PRINT	CAD MAINTAINED, (PRO/E)	PRODUCT CODE	DOC TYPE	SHEET 3 OF 3		

DRAWING NO. 01410-7000
 TAG NO. CAL.