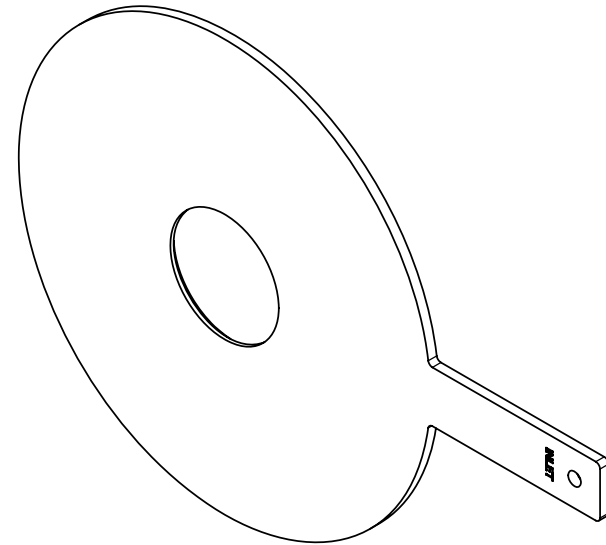



REVISIONS				
REV	DESCRIPTION	CHG.NO.	APP'D	DATE
AB	DIMENSIONAL CHANGES TO TABLE 2	EC006236	JR	01/18/06

NOTES:

- ROSEMOUNT INC. CERTIFIES THIS DRAWING IS IN ACCORDANCE WITH ROSEMOUNT ENGINEERING SPECIFICATIONS AND ACCURATELY REPRESENTS THE EQUIPMENT FURNISHED.
- ORIFICE PLATE ORIENTATION SHOWN FOR DETAIL ONLY. FOR ACTUAL RECOMMENDED LOCATION AND ORIENTATION REFER TO INSTALLATION INSTRUCTION MANUAL 00809-0100-4792 AND PAGE 11 OF THIS DOCUMENT.
- FOR MODEL SELECTIONS, MATERIALS, AND OPTIONS, REFER TO ROSEMOUNT PRODUCT DATA SHEET 00813-0100-4792.
- MODEL 1495 MAXIMUM TEMPERATURE IS 850°F (OBSERVE GASKET MATERIAL TEMPERATURE LIMITATIONS).
- ORIFICE FLANGES, STUDS, NUTS AND GASKETS ARE NOT INCLUDED WITH MODEL 1495.

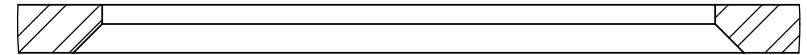
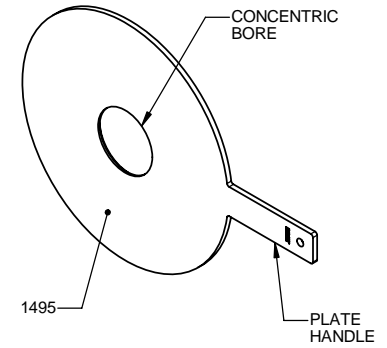
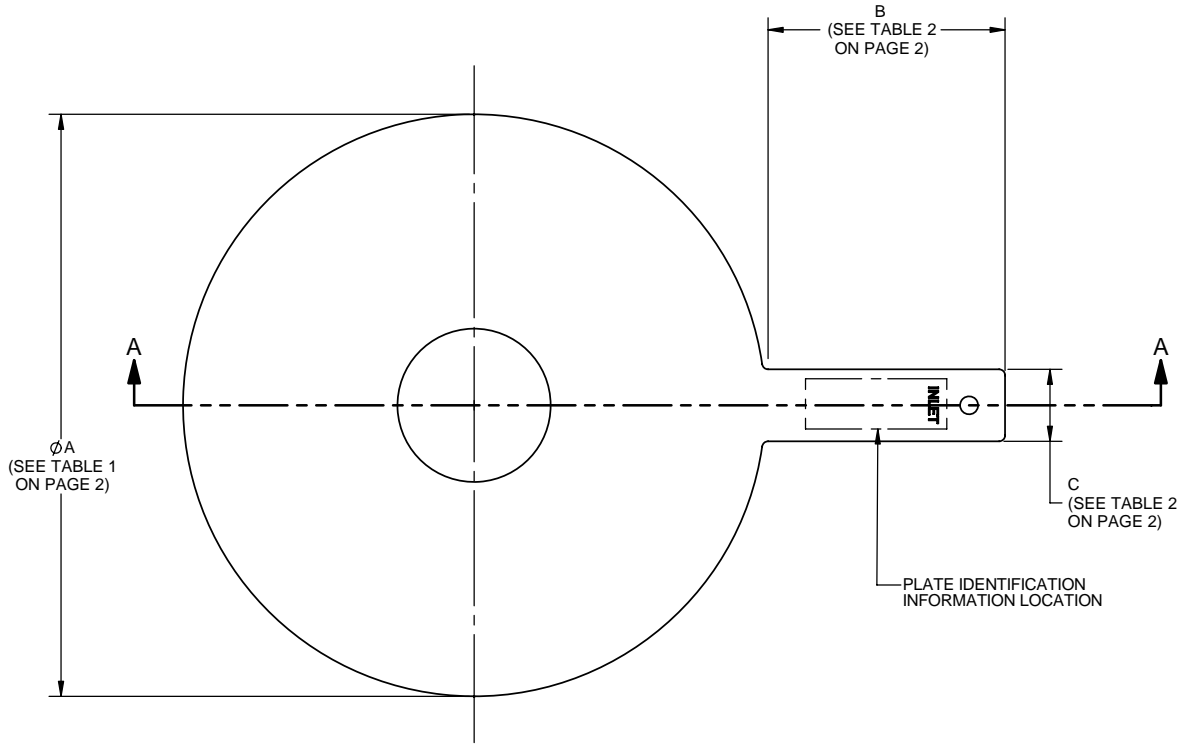


*UNLESS OTHERWISE SPECIFIED DIMENSIONS IN INCHES (MM)  *ALL DIMENSIONS ARE NOMINAL AND ARE FOR REFERENCE ONLY		<b>TYPE I</b>		<b>ROSEMOUNT®</b> <small>BOULDER, COLORADO</small>		
		DR.	DMK	11/13/03	TITLE	
		APPROVAL		DEMINSIONAL DRAWING FOR MODEL 1495 PADDLE STYLE ORIFICE PLATE PRIMARY		
		DRAWING	K. GREEN	12/20/03	SIZE	DRAWING NO.
		TAGGING			C	01495-1001
SPECIALS				SCALE: NONE	SHEET 1 OF 12	

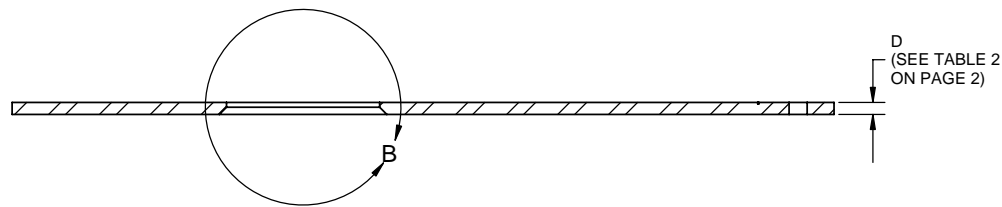
LINE SIZE	'A' DIMENSION (PADDLE TYPE PLATE DIAMETER)											
	150#	300#	600#	900#	1500#	2500#	PN10	PN16	PN25	PN40	PN63	PN100
2" (DN 50)	4.13	4.38		5.63		5.75	4.21				4.45	4.69
2-1/2" (DN 65)	4.88	5.13		6.50		6.63	5.00				5.43	5.67
3" (DN 80)	5.38	5.88		6.63	6.88	7.75	5.59				5.83	6.06
3-1/2"	6.38	6.50	6.38	N/A								
4" (DN 100)	6.88	7.13	7.63	8.13	8.25	9.25	6.38		6.61		6.85	7.09
6" (DN 150)	8.75	9.88	10.50	11.38	11.13	12.50	8.58		8.82		9.72	10.12
8" (DN 200)	11.00	12.13	12.63	14.13	13.88	15.25	10.75		11.18	11.42	12.17	12.76
10" (DN 250)	13.38	14.25	15.75	17.13	17.13	18.75	12.91	12.95	13.39	13.86	14.33	15.39
12" (DN 300)	16.13	16.63	18.00	19.63	20.50	21.63	14.88	15.12	15.75	16.42	16.69	18.03
14" (DN 350)	17.75	19.13	19.38	20.50	22.75	N/A	17.24	17.48	17.99	18.66	19.13	20.16
16" (DN 400)	20.25	21.25	22.25	22.63	25.25	N/A	19.25	19.49	20.24	21.50	21.38	22.52
18" (DN 450)	21.50	23.38	24.00	25.00	27.63	N/A	21.22	21.85	22.24	22.48	N/A	
20" (DN 500)	23.75	25.63	26.75	27.38	29.63	N/A	23.39	24.29	24.57	24.72	25.87	27.72
22" (DN 550)	26.00	27.75	29.00	N/A								
24" (DN 600)	28.13	30.38	31.00	32.88	35.50	N/A						

LINE SIZE	'B' (HANDLE LENGTH)		'C' (HANDLE WIDTH)		'D' (DEFAULT THICKNESS)	
	ANSI FLANGES	DIN FLANGES	ANSI FLANGES	DIN FLANGES	ANSI FLANGES	DIN FLANGES
	2" (DN 50)	4.00	4.75	1.00	1.20	0.13
2-1/2" (DN 65)	4.00	4.75	1.00	1.20	0.13	0.12
3" (DN 80)	4.00	4.75	1.00	1.20	0.13	0.16
3-1/2"	4.00	N/A	1.00	N/A	0.13	N/A
4" (DN 100)	4.00	5.50	1.00	1.60	0.13	0.16
6" (DN 150)	4.00	5.50	1.00	1.60	0.13	0.16
8" (DN 200)	6.00	5.50	1.50	1.60	0.25	0.16
10" (DN 250)	6.00	5.50	1.50	1.60	0.25	0.16
12" (DN 300)	6.00	5.50	1.50	1.60	0.38	0.16
14" (DN 350)	6.00	5.50	1.50	1.60	0.38	0.16
16" (DN 400)	6.00	5.50	1.50	1.60	0.38	0.16
18" (DN 450)	6.00	5.50	1.50	1.60	0.38	0.16
20" (DN 500)	6.00	6.30	1.50	2.35	0.38	0.25
22" (DN 550)	6.00	N/A	1.50	N/A	0.38	N/A
24" (DN 600)	6.00	N/A	1.50	N/A	0.38	N/A

<b>ROSEMOUNT®</b>			
BOULDER, COLORADO			
SIZE A	FSCM.NO.	DRAWING NO.	01495-1001
SCALE: 1:2	WT.	SHEET: 2 of 12	



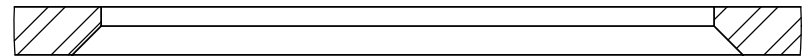
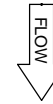
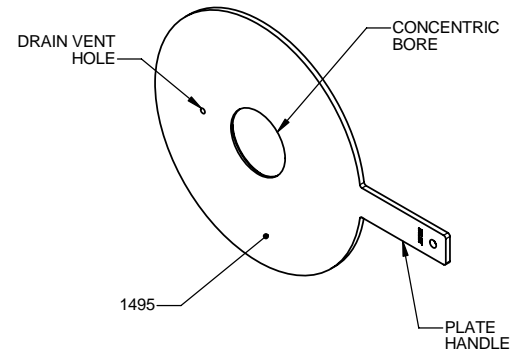
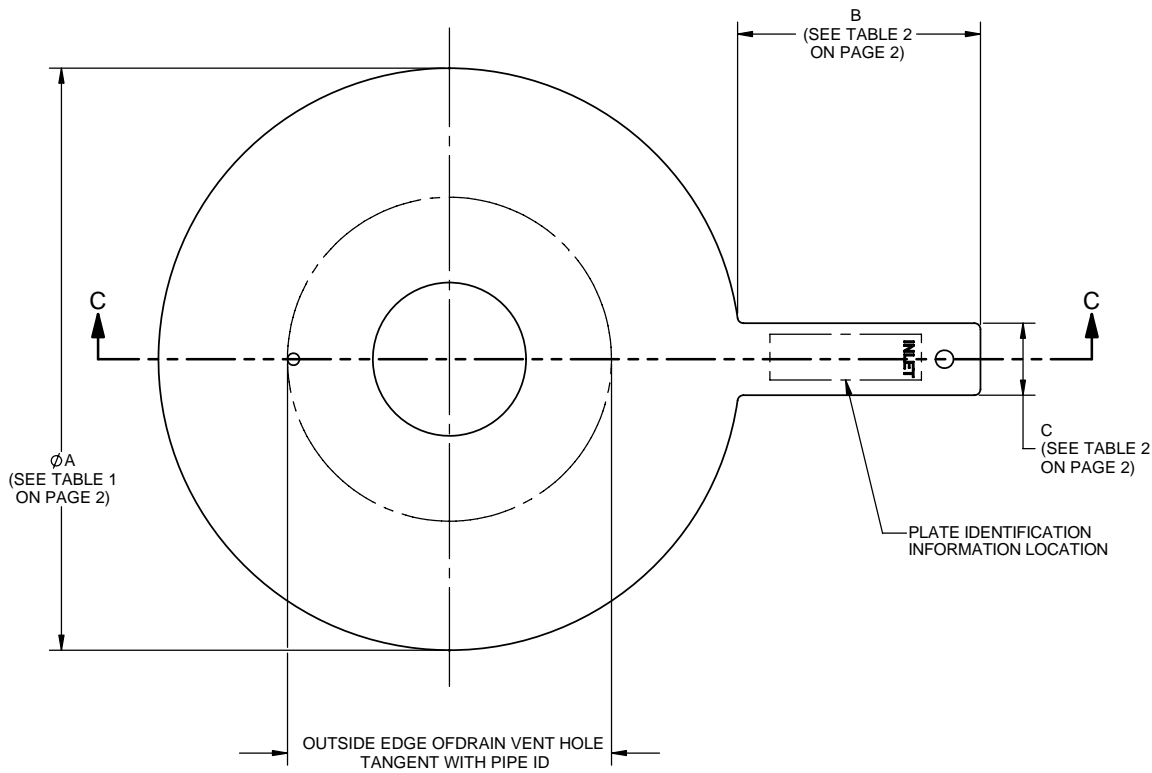
DETAIL B  
 SCALE 2 : 1



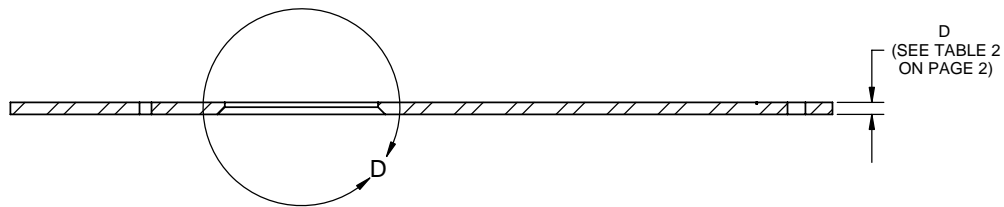
SECTION A-A

**CONCENTRIC BORE**

<b>ROSEMOUNT<sup>®</sup></b>			
<small>BOULDER, COLORADO</small>			
SIZE A	FSCM.NO.	DRAWING NO.	01495-1001
SCALE: 1:2	WT.	SHEET: 3 of 12	



DETAIL D  
SCALE 2 : 1



SECTION C-C

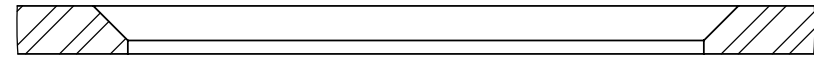
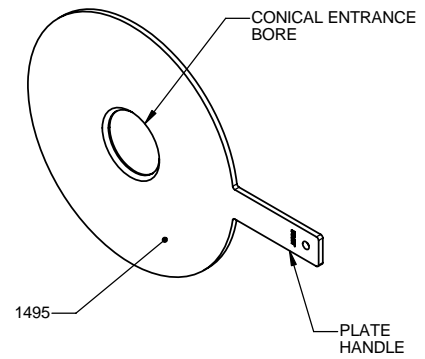
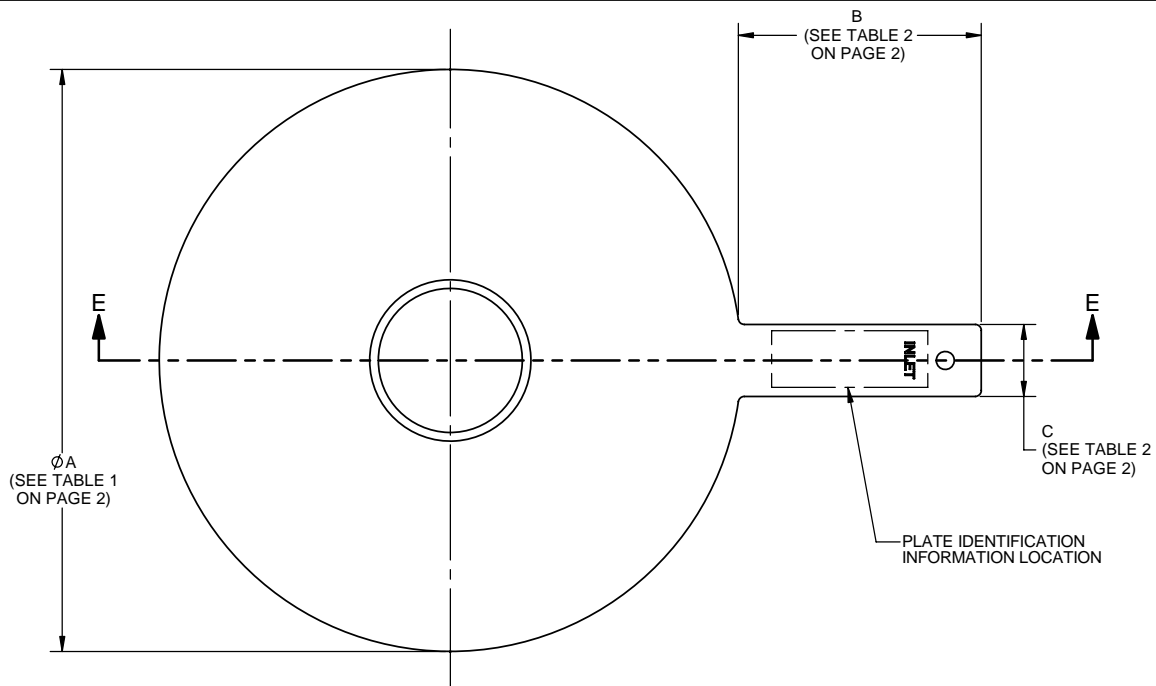
**CONCENTRIC BORE  
WITH DRAIN VENT HOLE**

**ROSEMOUNT®**

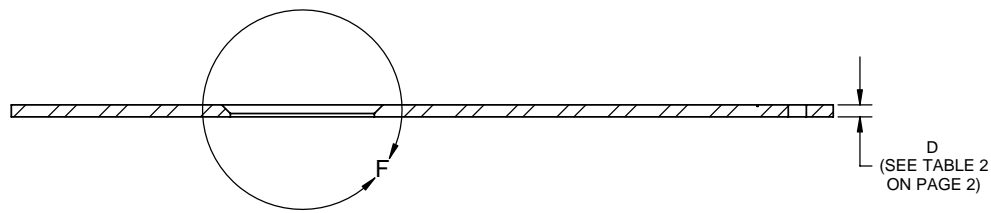
BOULDER, COLORADO

SIZE A	FSCM.NO.	DRAWING NO. 01495-1001
-----------	----------	---------------------------

SCALE: 1:2	WT.	SHEET: 4 of 12
------------	-----	----------------



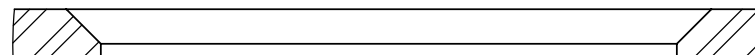
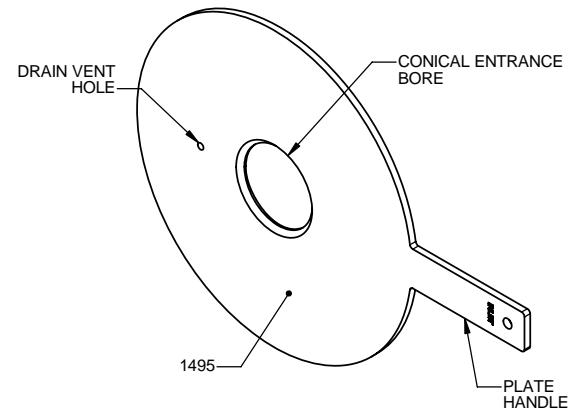
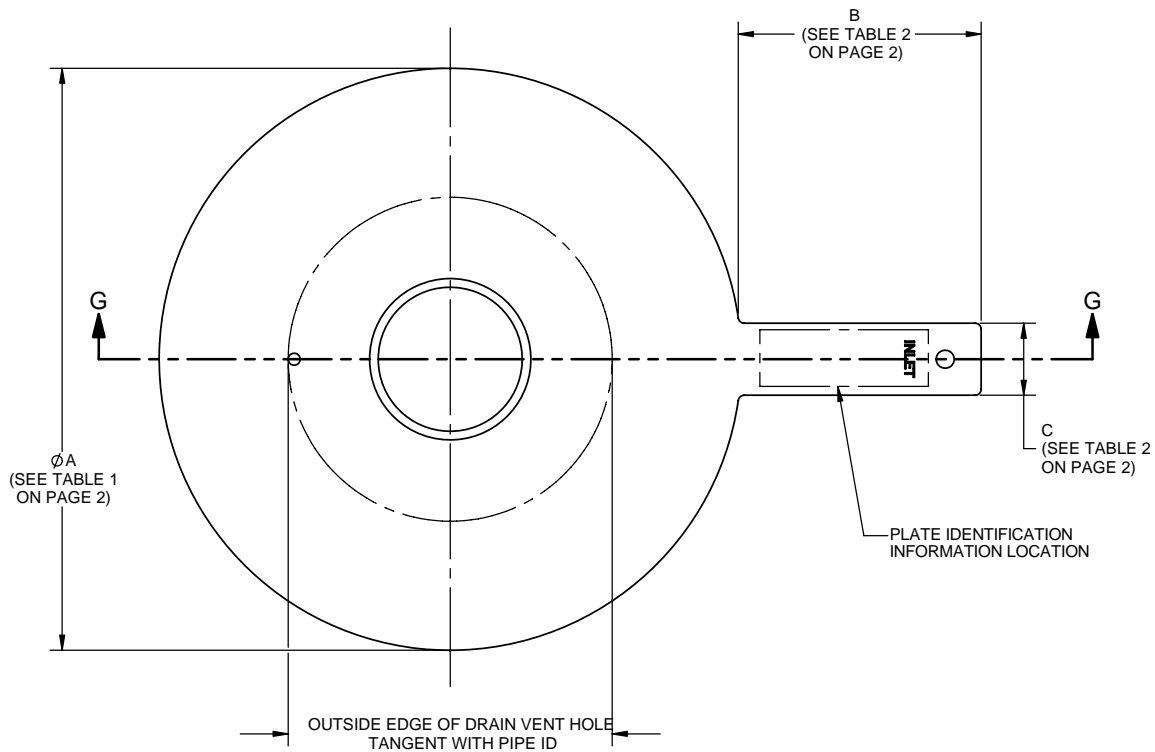
DETAIL F  
 SCALE 2 : 1



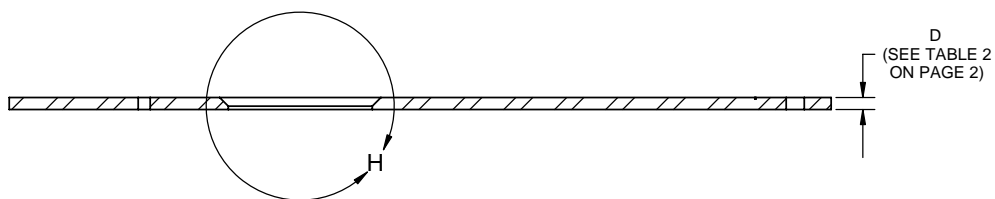
SECTION E-E

CONICAL ENTRANCE BORE

<b>ROSEMOUNT®</b>			
<small>BOULDER, COLORADO</small>			
SIZE A	FSCM.NO.	DRAWING NO.	01495-1001
SCALE: 1:2	WT.	SHEET: 5 of 12	



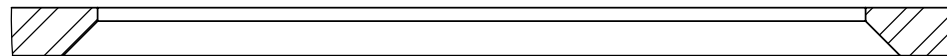
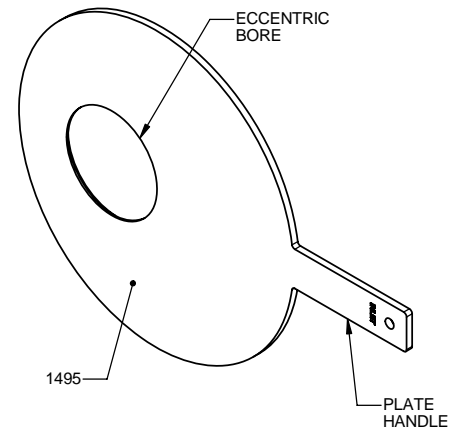
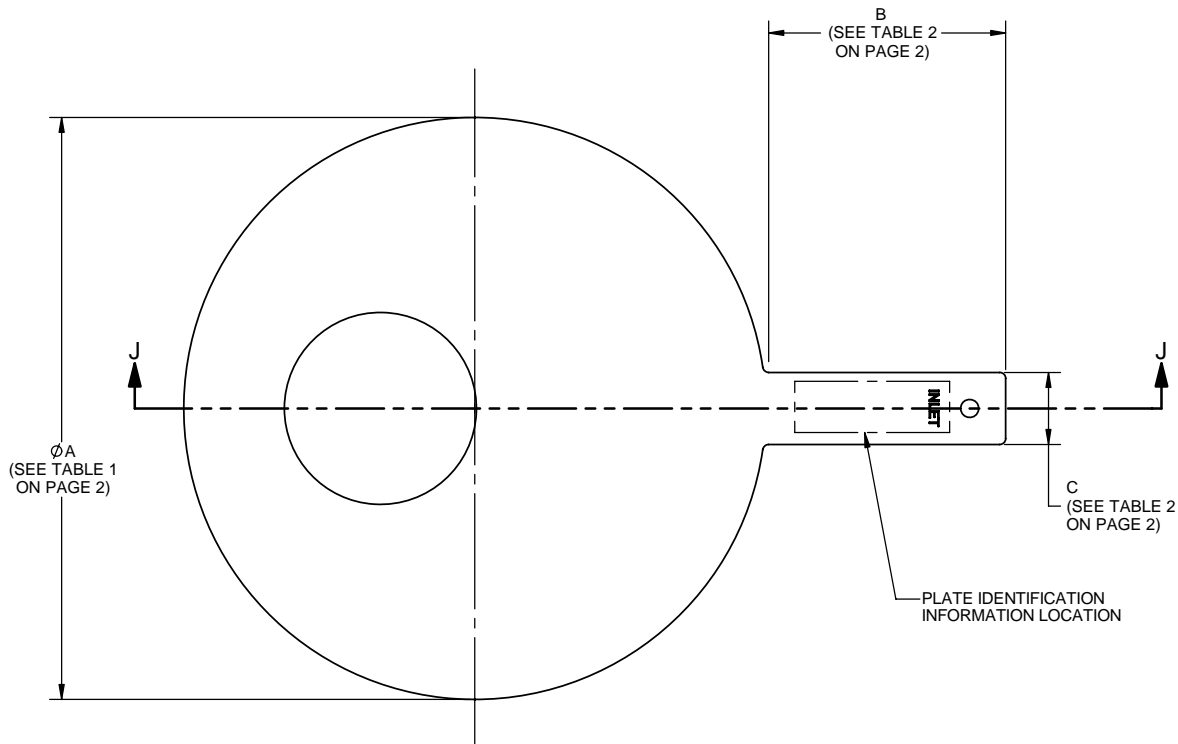
DETAIL H  
SCALE 2 : 1



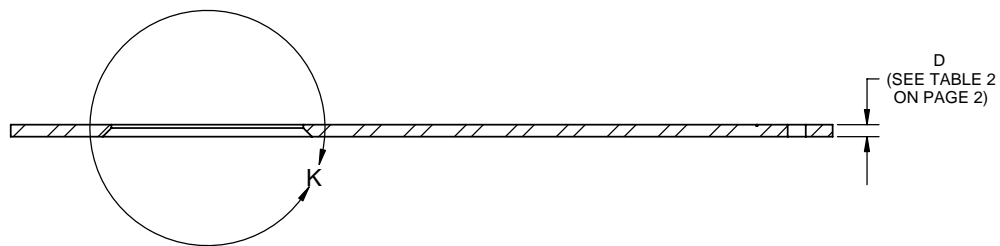
SECTION G-G

**CONICAL ENTRANCE BORE  
WITH DRAIN VENT HOLE**

<b>ROSEMOUNT®</b>			
BOULDER, COLORADO			
SIZE A	FSCM.NO.	DRAWING NO.	01495-1001
SCALE: 1:2	WT.	SHEET: 6 of 12	



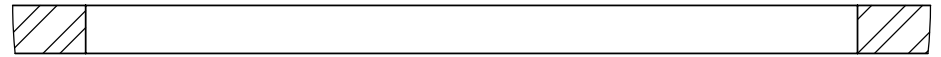
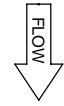
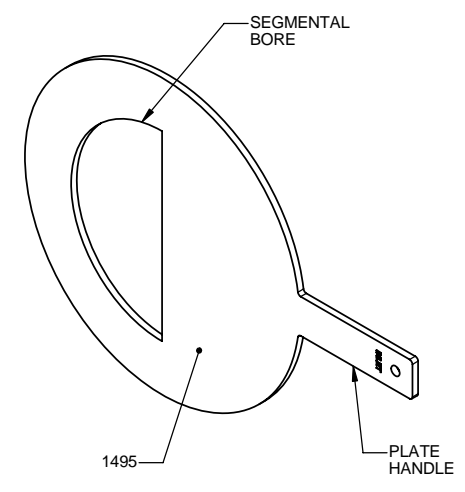
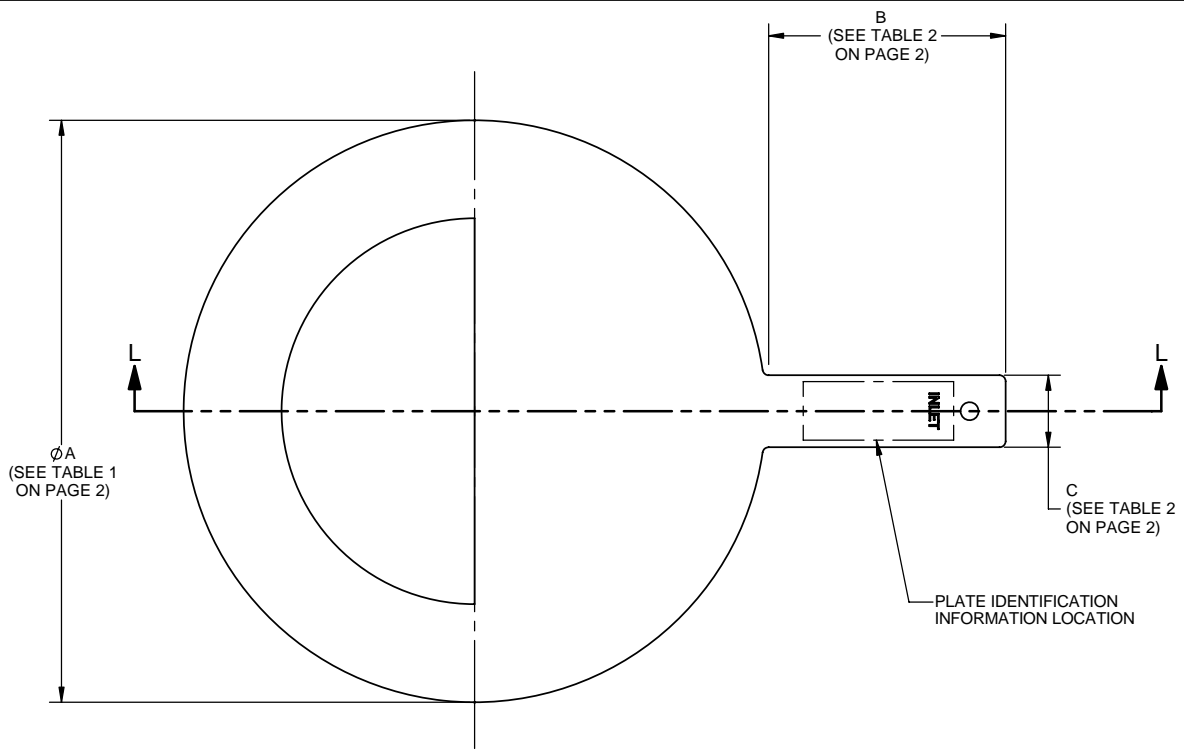
DETAIL K  
SCALE 2 : 1



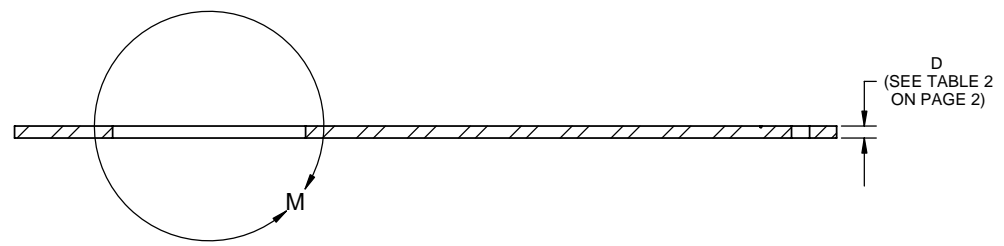
SECTION J-J

***ECCENTRIC BORE***

<b>ROSEMOUNT®</b>			
BOULDER, COLORADO			
SIZE A	FSCM.NO.	DRAWING NO.	01495-1001
SCALE: 1:2	WT.	SHEET: 7 of 12	



DETAIL M  
 SCALE 2 : 1

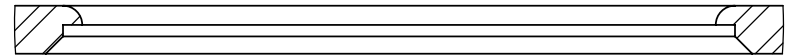
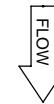
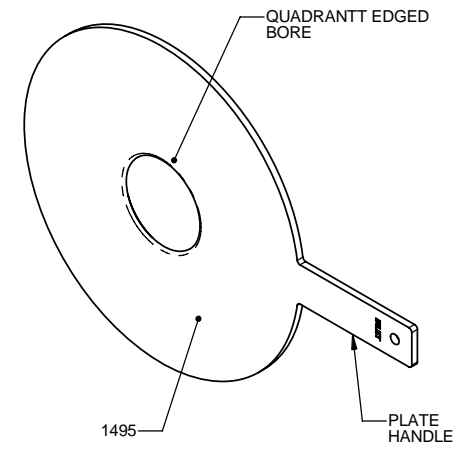
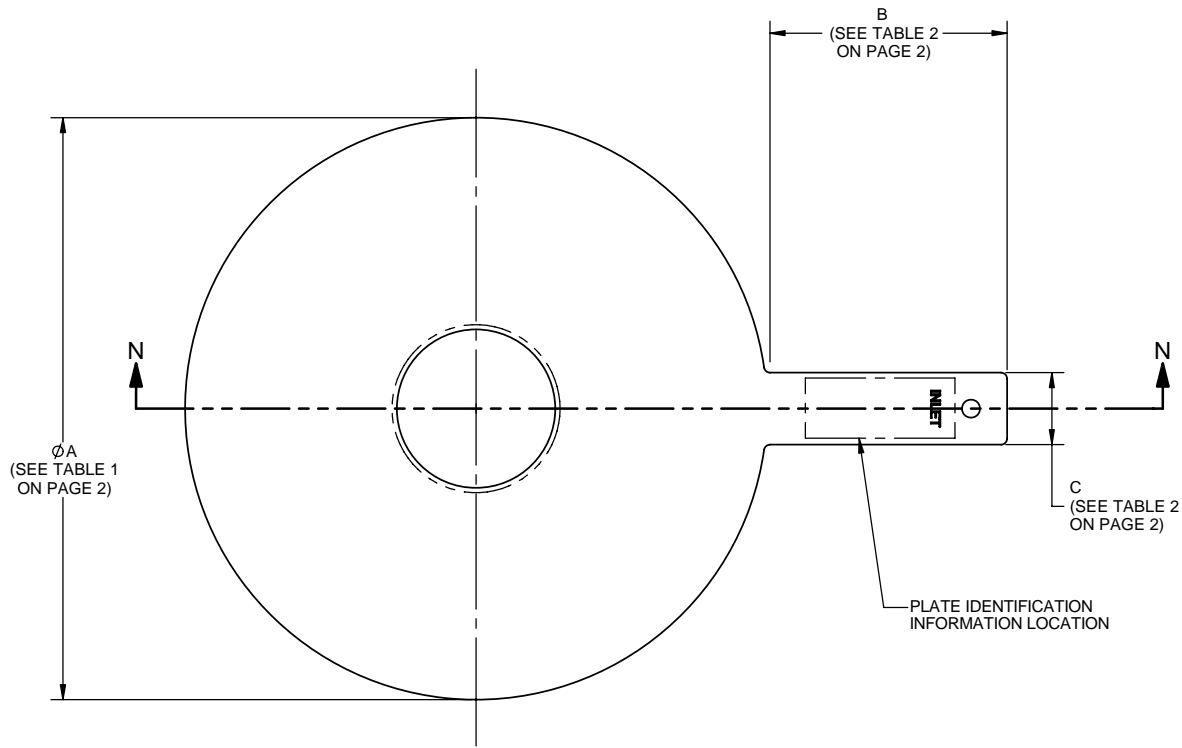


SECTION L-L

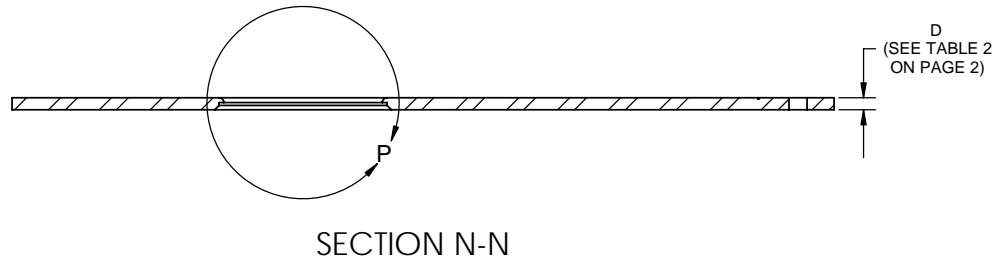
**SEGMENTAL BORE**

<b>ROSEMOUNT®</b>			
<small>BOULDER, COLORADO</small>			
SIZE A	FSCM.NO.	DRAWING NO.	01495-1001
SCALE: 1:2	WT.	SHEET: 8 of 12	



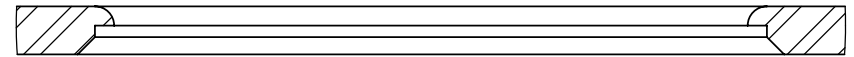
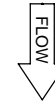
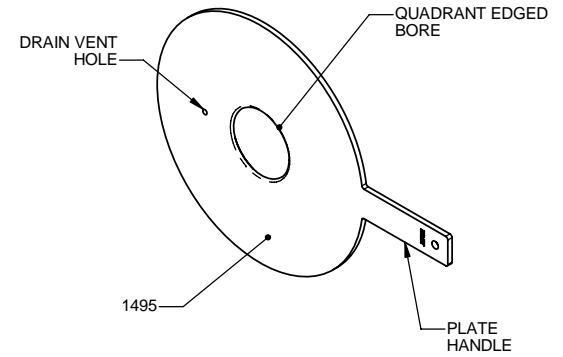
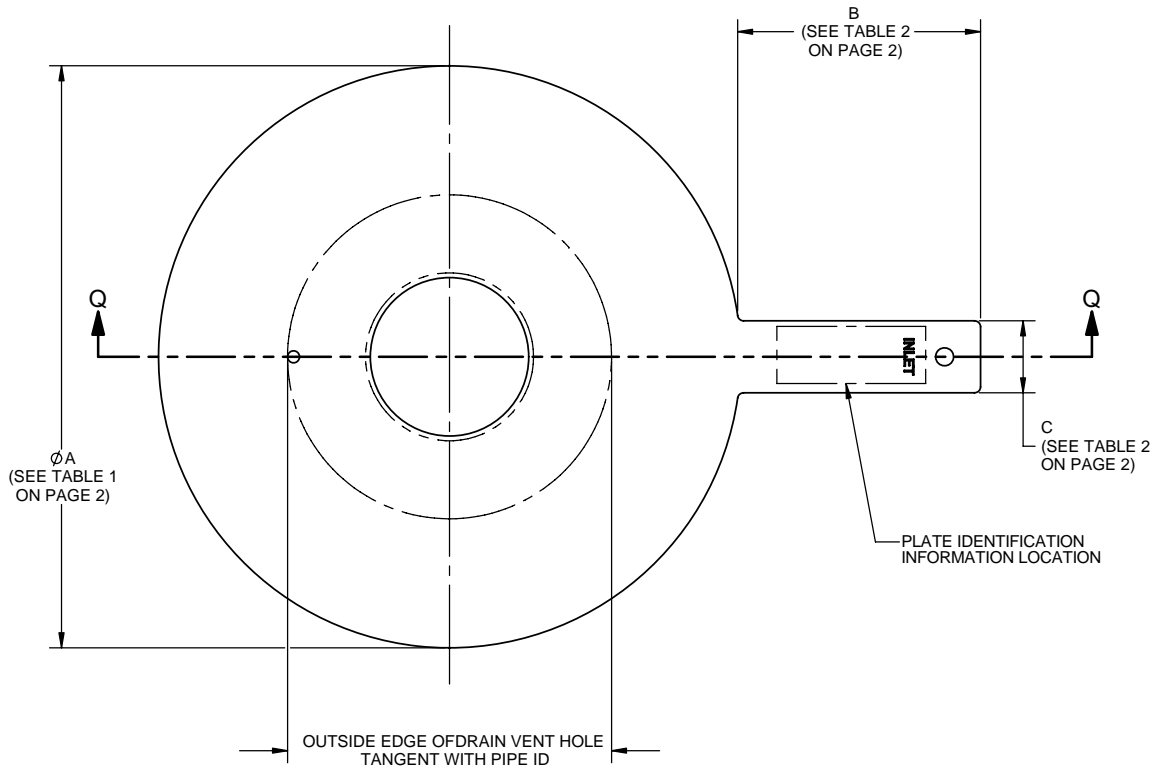


DETAIL P  
 SCALE 2 : 1

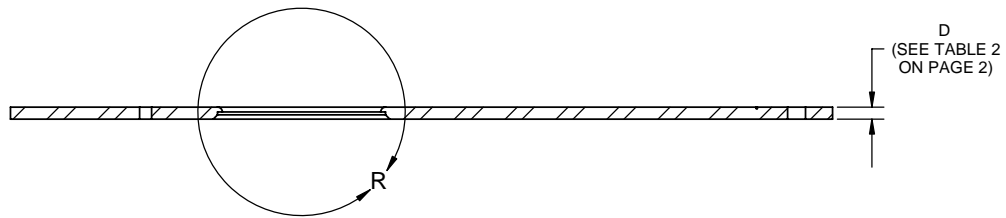


**QUADRANT EDGED BORE**

<b>ROSEMOUNT®</b>			
BOULDER, COLORADO			
SIZE A	FSCM.NO.	DRAWING NO.	01495-1001
SCALE: 1:2	WT.	SHEET: 9 of 12	



DETAIL R  
SCALE 2 : 1



SECTION Q-Q

**QUADRANT EDGED BORE  
WITH DRAIN VENT HOLE**

**ROSEMOUNT®**

BOULDER, COLORADO

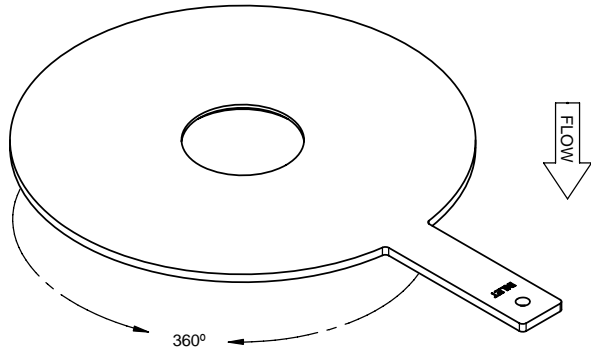
SIZE A	FSCM.NO.	DRAWING NO. 01495-1001
-----------	----------	---------------------------

SCALE: 1:2

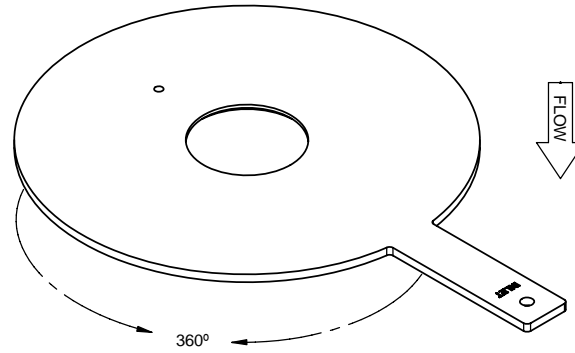
WT.

SHEET: 10 of 12

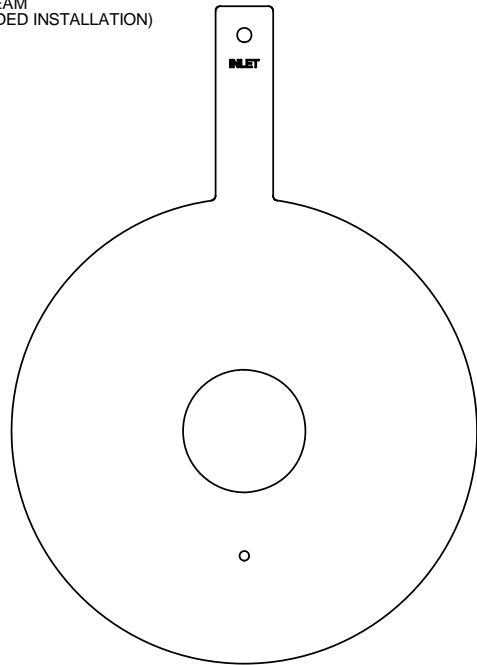
HORIZONTAL / VERTICAL GAS, LIQUID AND STEAM  
(RECOMMENDED INSTALLATION)



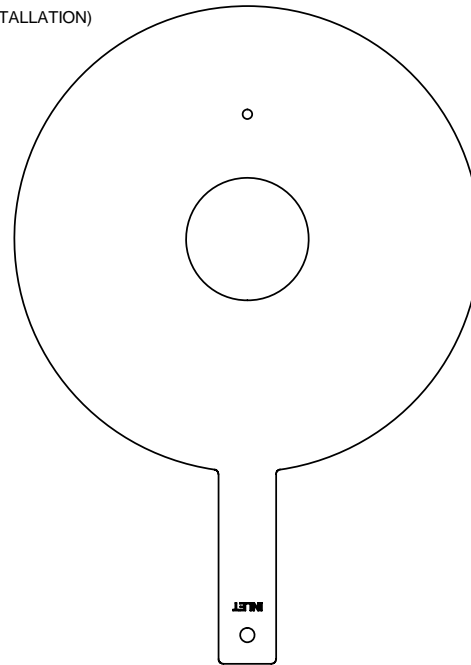
VERTICAL WITH DRAIN VENT HOLE  
GAS, LIQUID AND STEAM  
(RECOMMENDED INSTALLATION)



HORIZONTAL WITH DRAIN VENT HOLE  
GAS AND STEAM  
(RECOMMENDED INSTALLATION)



HORIZONTAL WITH DRAIN VENT HOLE  
LIQUID  
(RECOMMENDED INSTALLATION)



**ORIENTATION VIEW**

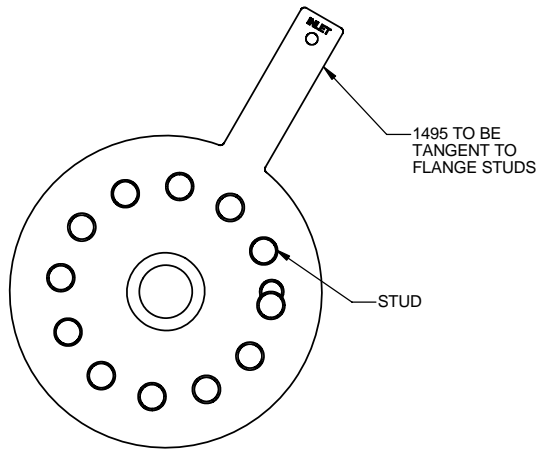
**ROSEMOUNT®**

BOULDER, COLORADO

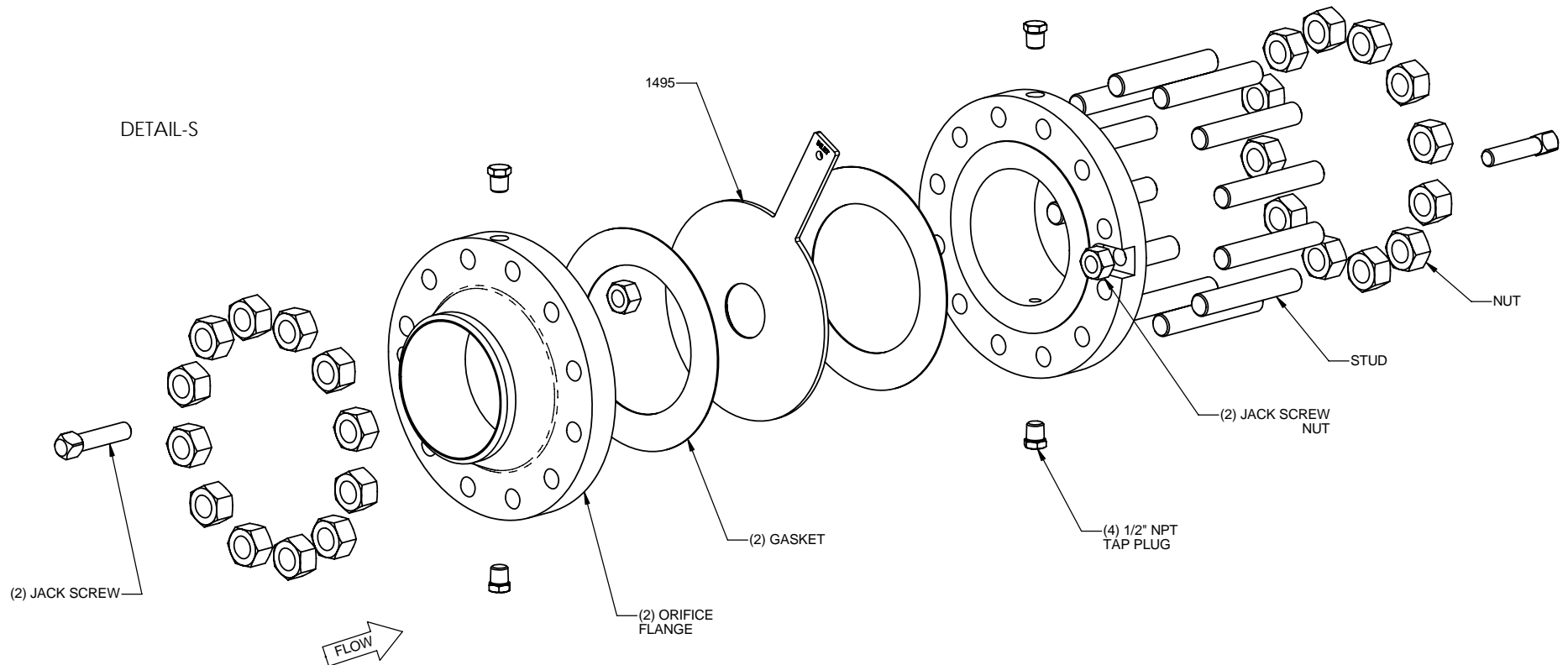
SIZE A	FSCM.NO.	DRAWING NO. 01495-1001
-----------	----------	---------------------------

SCALE: 1:2.5 WT.

SHEET: 11 of 12



DETAIL-S



**EXPLODED INSTALLATION VIEW**

<b>ROSEMOUNT<sup>®</sup></b>			
BOULDER, COLORADO			
SIZE A	FSCM.NO.	DRAWING NO.	01495-1001
SCALE: 1:3	WT.	SHEET: 12 of 12	