
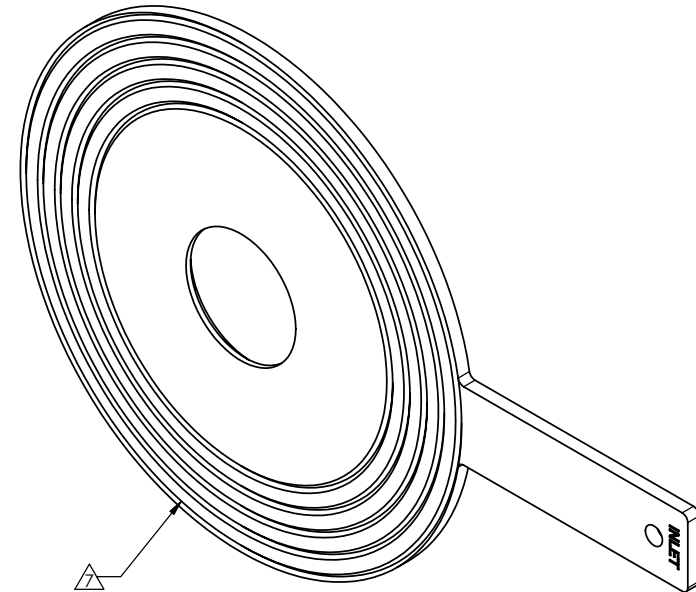


REVISIONS				
REV	DESCRIPTION	CHG.NO.	APP'D	DATE
AB	MATCH HANDLE DIM.'S 01495-1001.	EC006462	MH	5/8/06

NOTES:

- ROSEMOUNT INC. CERTIFIES THIS DRAWING IS IN ACCORDANCE WITH ROSEMOUNT ENGINEERING SPECIFICATIONS AND ACCURATELY REPRESENTS THE EQUIPMENT FURNISHED.
- ORIFICE PLATE ORIENTATION SHOWN FOR DETAIL ONLY. FOR ACTUAL RECOMMENDED LOCATION AND ORIENTATION REFER TO INSTALLATION INSTRUCTION MANUAL 00809-0100-4792 AND PAGE 11 OF THIS DOCUMENT.
- FOR MODEL SELECTIONS, MATERIALS, AND OPTIONS, REFER TO ROSEMOUNT PRODUCT DATA SHEET 00813-0100-4792.
- MODEL 1495 MAXIMUM TEMPERATURE IS 850°F (OBSERVE GASKET MATERIAL TEMPERATURE LIMITATIONS).
- ORIFICE FLANGES, STUDS, NUTS AND GASKETS ARE NOT INCLUDED WITH MODEL 1495.
- SPIRAL FINISH PLATES ARE AVAILABLE ONLY TO 12" LINE SIZE, AND ARE NOT AVAILABLE IN DIN SIZES.
-  SPIRAL FINISH 125-250 MICROINCH RMS, 45-55 GROOVES PER INCH




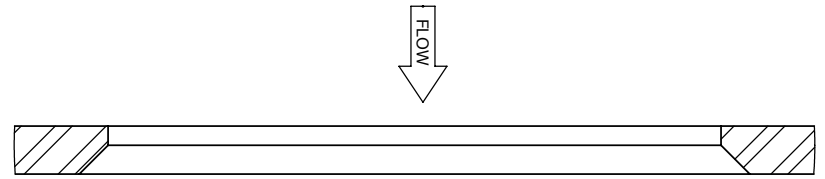
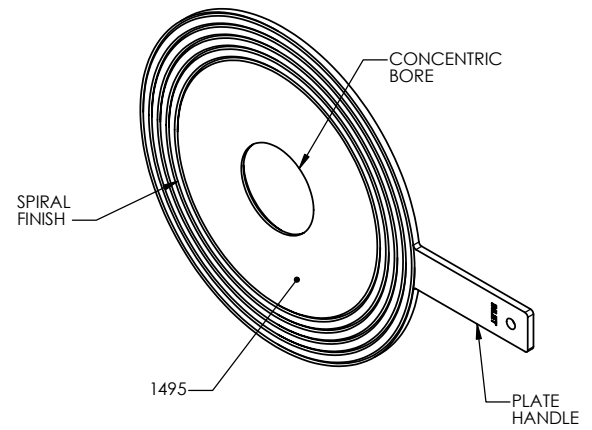
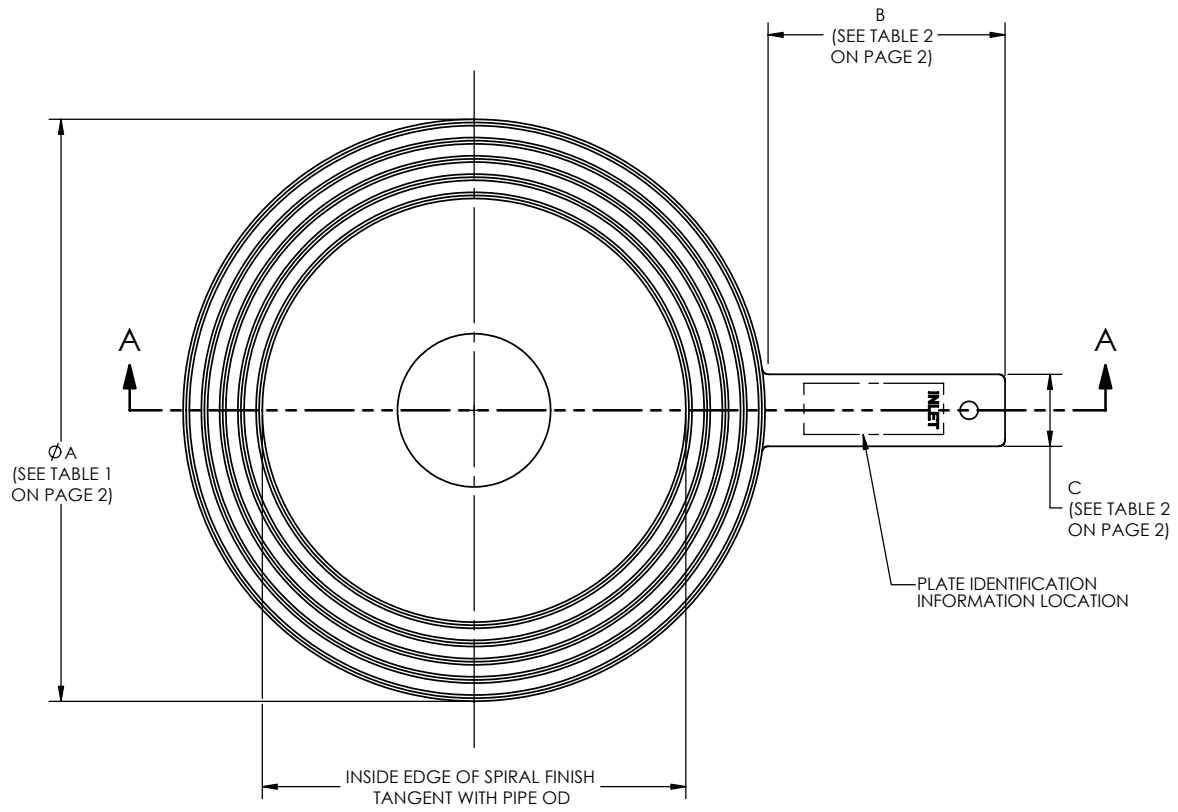
*UNLESS OTHERWISE SPECIFIED DIMENSIONS IN INCHES (MM)		TYPE I		ROSEMOUNT® BOULDER, COLORADO		
*ALL DIMENSIONS ARE NOMINAL AND ARE FOR REFERENCE ONLY						
		DR.	DMK	11/17/03	TITLE	
		APPROVAL				DIMENSIONAL DRAWING FOR MODEL 1495 PADDLE STYLE SPIRAL FINISH ORIFICE PLATE PRIMARY
		DRAWING	K. GREEN	12/20/03		
		TAGGING			SIZE	DRAWING NO.
SPECIALS			C	01495-1002		
SCALE: NONE				SHEET 1 OF 12		

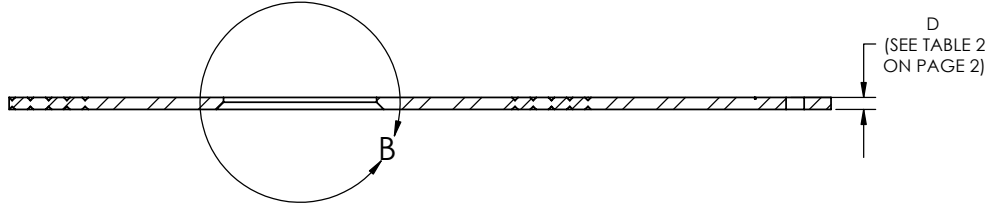
TABLE 1						
LINE SIZE	'A' DIMENSION (PADDLE TYPE PLATE DIAMETER)					
	150#	300#	600#	900#	1500#	2500#
2" (DN 50)	4.13	4.38		5.63		5.75
2-1/2" (DN 65)	4.88	5.13		6.50		6.63
3" (DN 80)	5.38	5.88		6.63	6.88	7.75
3-1/2"	6.38	6.50	6.38	N/A		
4" (DN 100)	6.88	7.13	7.63	8.13	8.25	9.25
6" (DN 150)	8.75	9.88	10.50	11.38	11.13	12.50
8" (DN 200)	11.00	12.13	12.63	14.13	13.88	15.25
10" (DN 250)	13.38	14.25	15.75	17.13	17.13	18.75
12" (DN 300)	16.13	16.63	18.00	19.63	20.50	21.63

TABLE 2			
LINE SIZE	'B' (HANDLE LENGTH)	'C' (HANDLE WIDTH)	'D' (DEFAULT THICKNESS)
2" (DN 50)	4.00	1.00	0.13
2-1/2" (DN 65)			
3" (DN 80)			
3-1/2"			
4" (DN 100)			
6" (DN 150)	6.00	1.50	0.25
8" (DN 200)			
10" (DN 250)			
12" (DN 300)			0.38

ROSEMOUNT®		
BOULDER, COLORADO		
SIZE A	FSCM.NO.	DRAWING NO. 01495-1002
SCALE: NONE	WT.	SHEET 2 OF 12



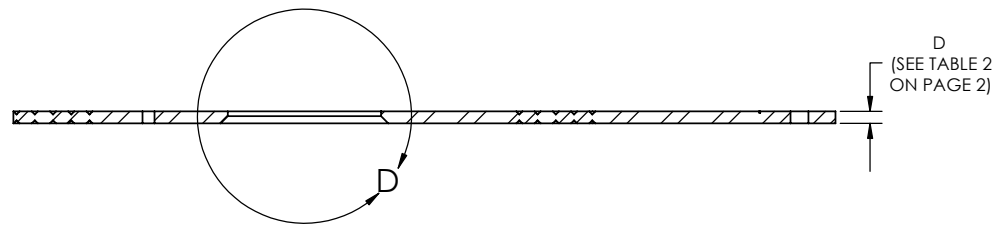
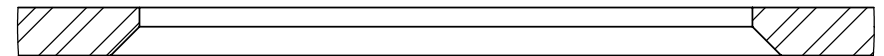
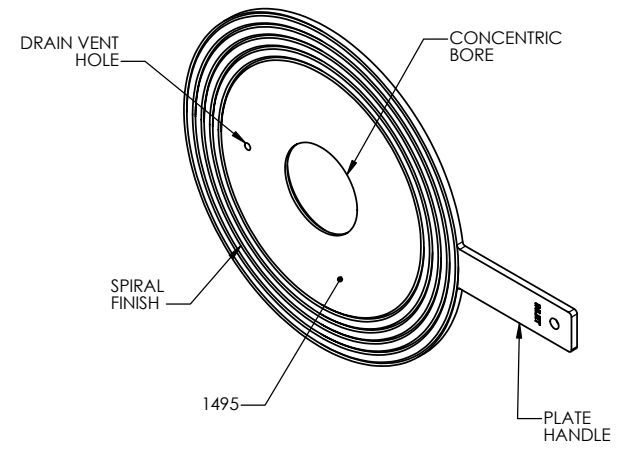
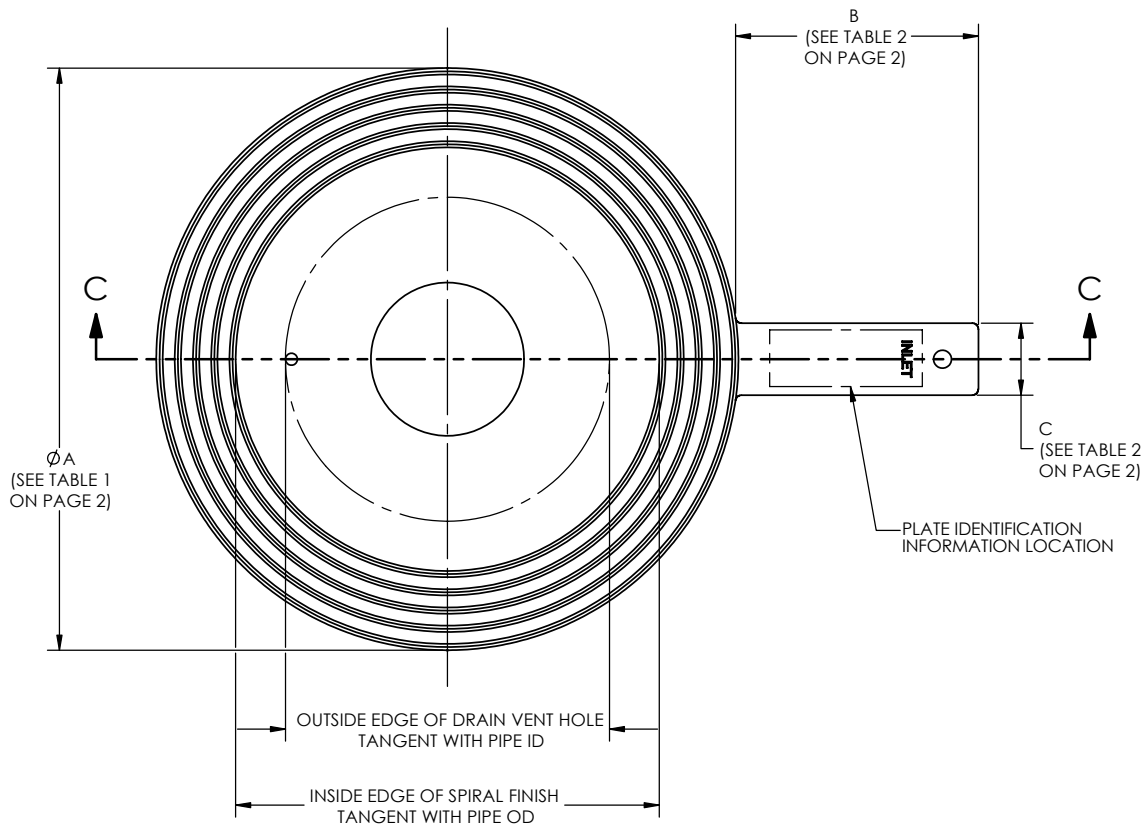
DETAIL B
SCALE 2 : 1



SECTION A-A

CONCENTRIC BORE

ROSEMOUNT®		
BOULDER, COLORADO		
SIZE A	FSCM.NO.	DRAWING NO. 01495-1002
SCALE: NONE	WT.	SHEET 3 OF 12

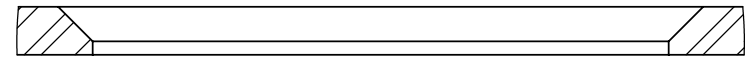
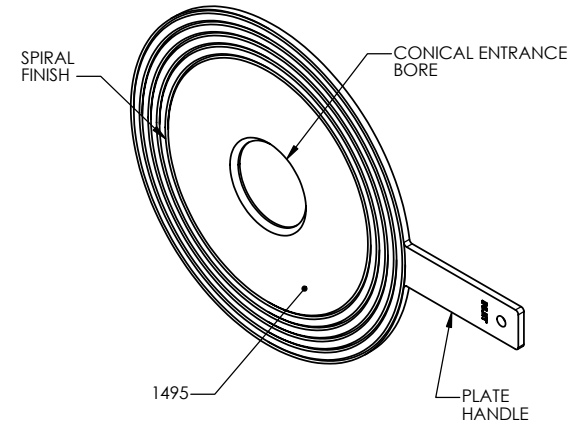
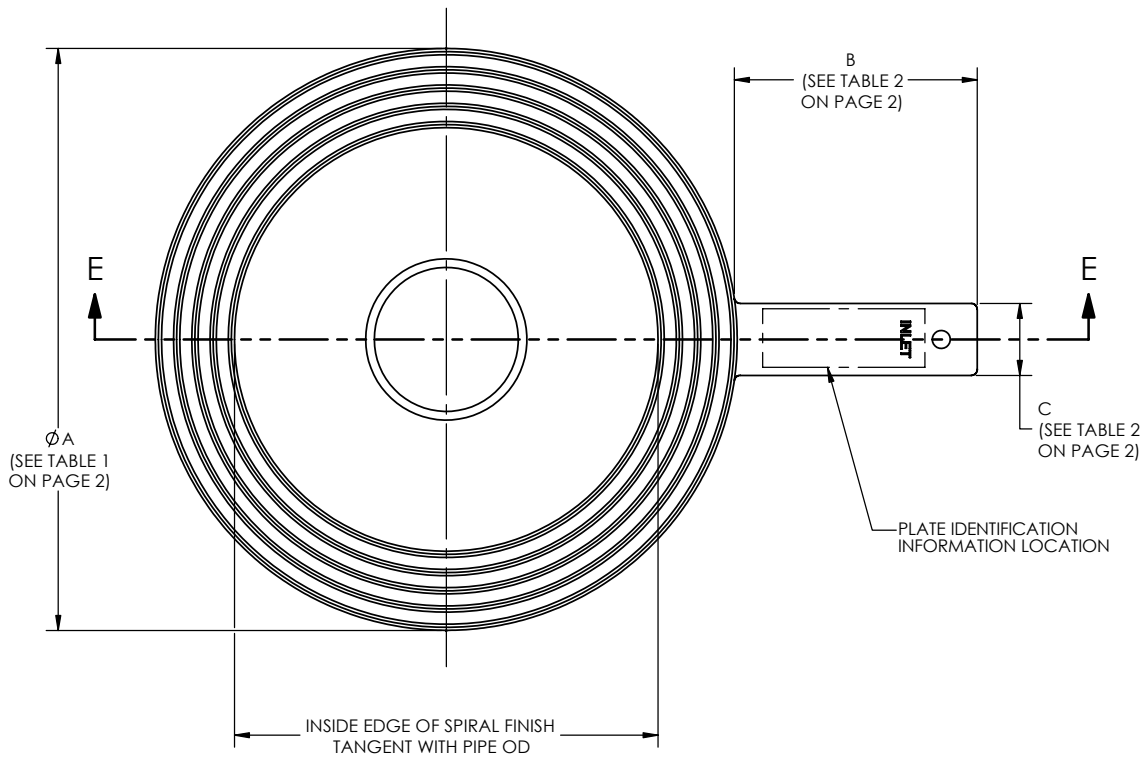


SECTION C-C

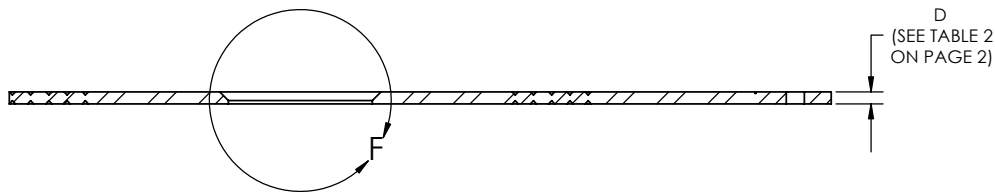
DETAIL D
SCALE 2 : 1

**CONCENTRIC BORE
WITH DRAIN VENT HOLE**

ROSEMOUNT®		
BOULDER, COLORADO		
SIZE A	FSCM.NO.	DRAWING NO. 01495-1002
SCALE: NONE	WT.	SHEET 4 OF 12



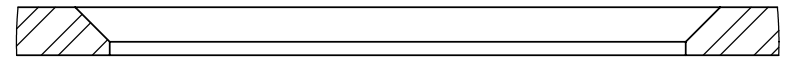
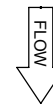
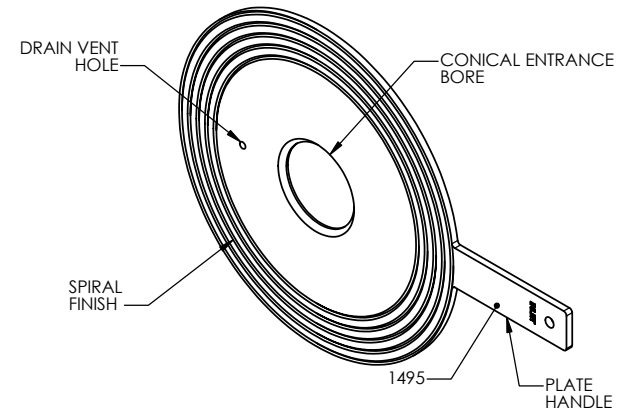
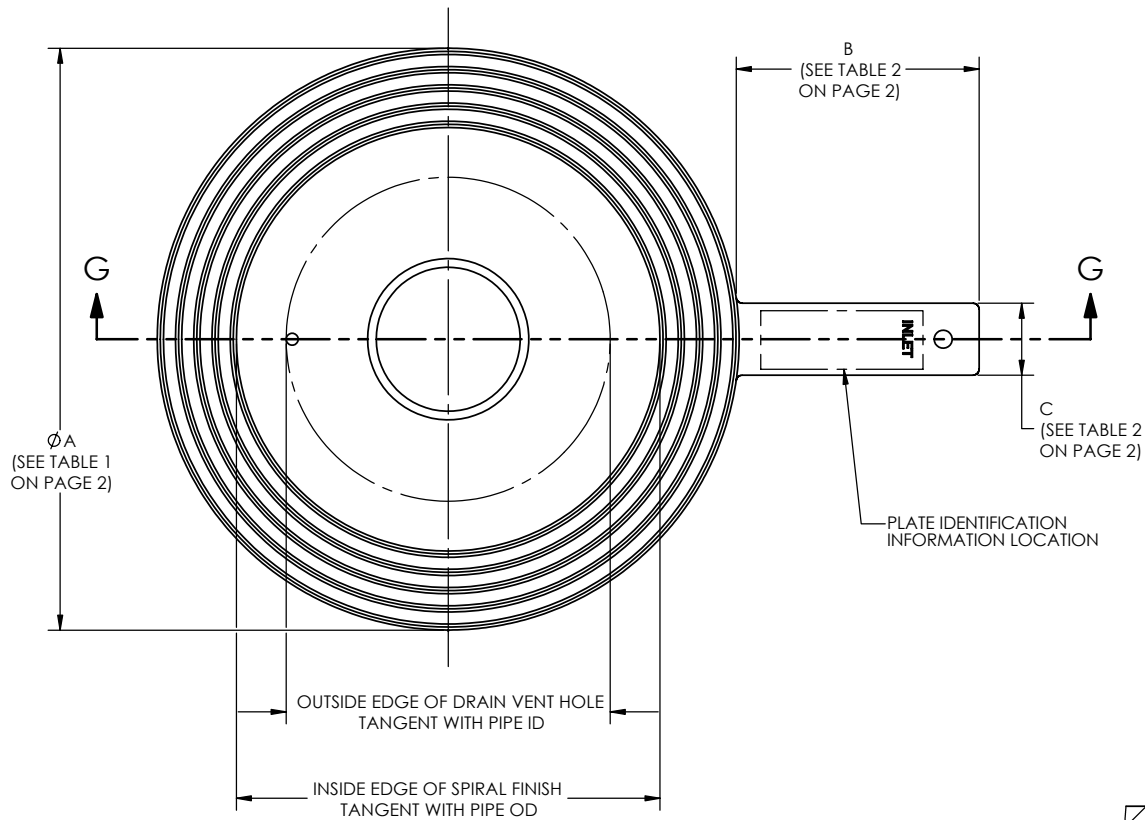
DETAIL F
 SCALE 2 : 1



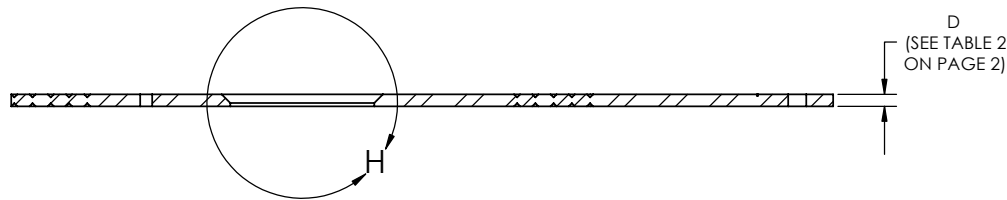
SECTION E-E

CONICAL ENTRANCE BORE

ROSEMOUNT®		
<small>BOULDER, COLORADO</small>		
SIZE A	FSCM.NO.	DRAWING NO. 01495-1002
SCALE: NONE	WT.	SHEET 5 OF 12



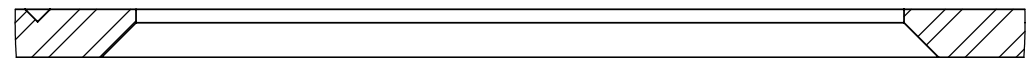
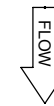
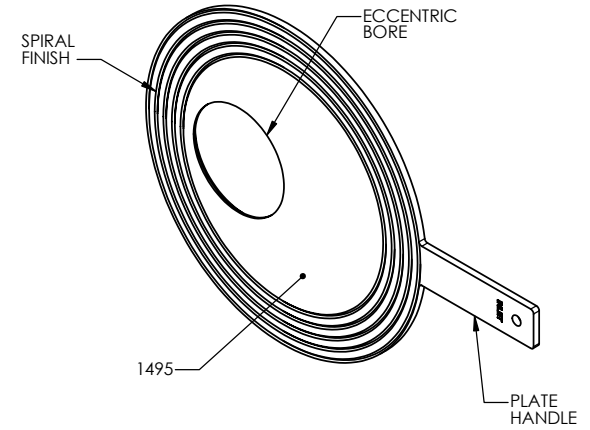
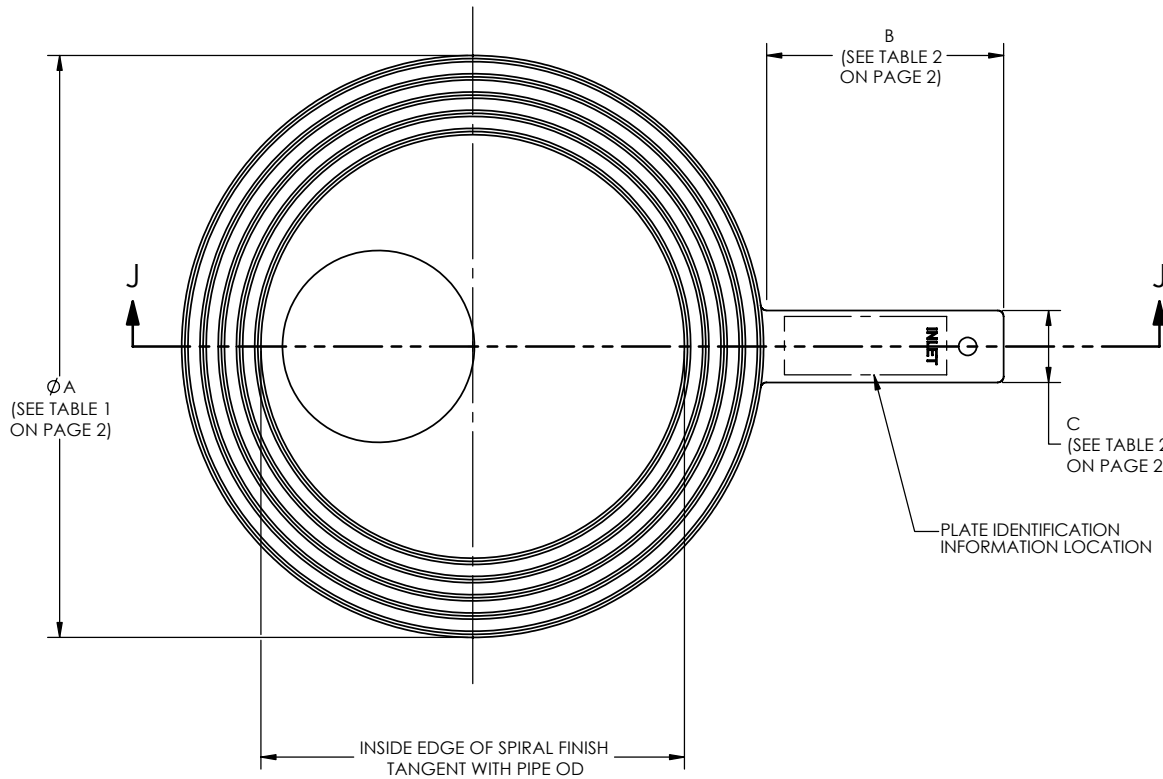
DETAIL H
SCALE 2 : 1



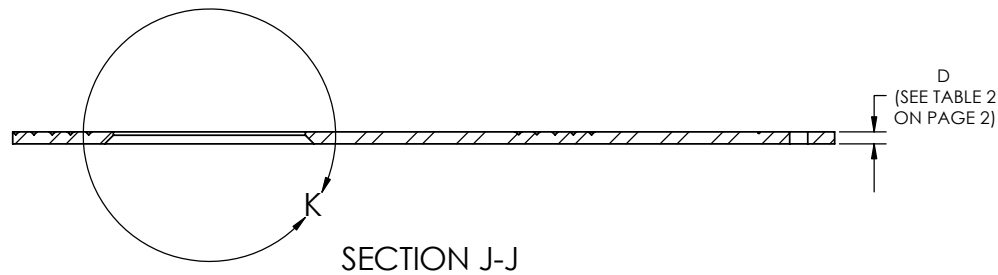
SECTION G-G

**CONICAL ENTRANCE BORE
WITH DRAIN VENT HOLE**

ROSEMOUNT®			
BOULDER, COLORADO			
SIZE A	FSCM.NO.	DRAWING NO.	01495-1002
SCALE: NONE	WT.	SHEET	6 OF 12

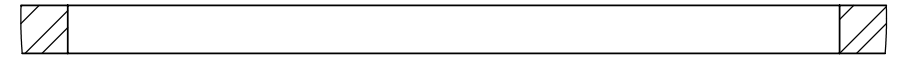
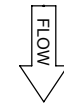
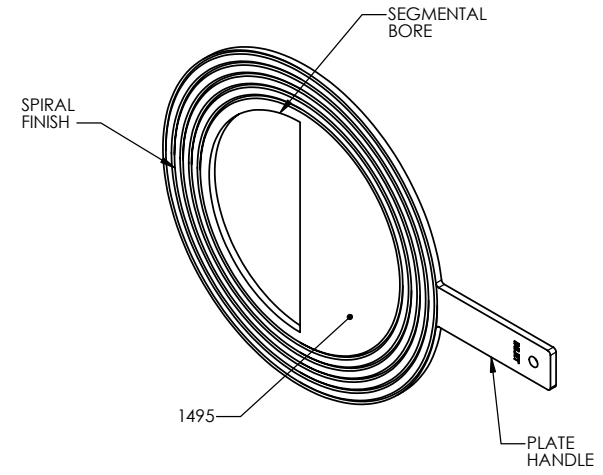
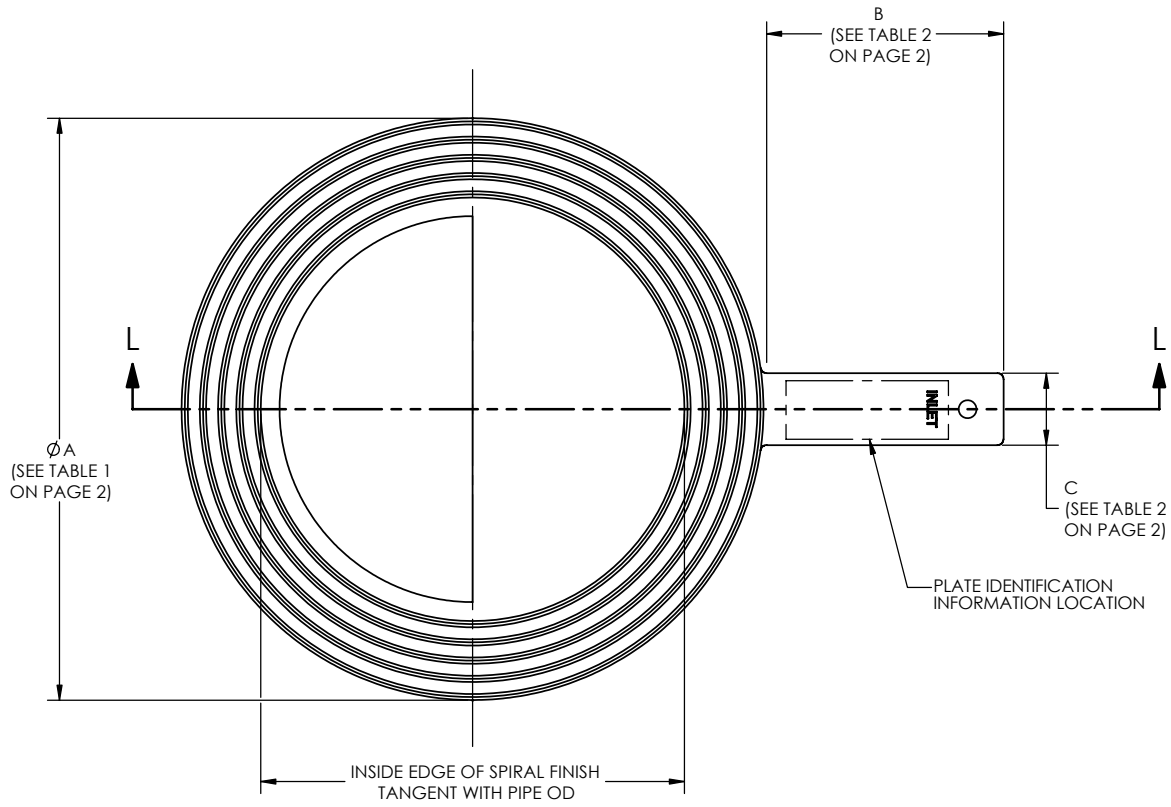


DETAIL K
SCALE 2 : 1

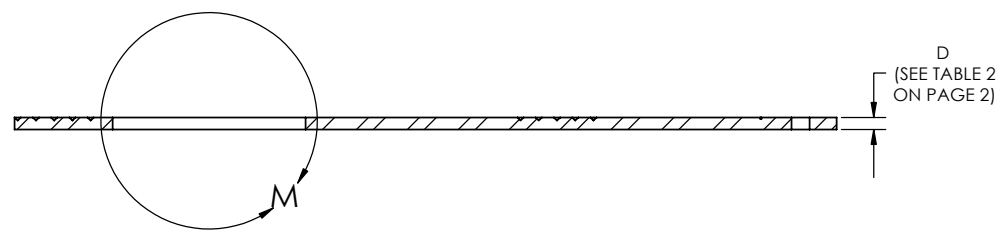


ECCENTRIC BORE

ROSEMOUNT®		
BOULDER, COLORADO		
SIZE A	FSCM.NO.	DRAWING NO. 01495-1002
SCALE: NONE	WT.	SHEET 7 OF 12



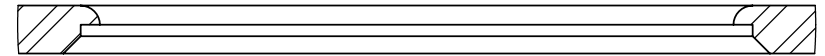
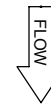
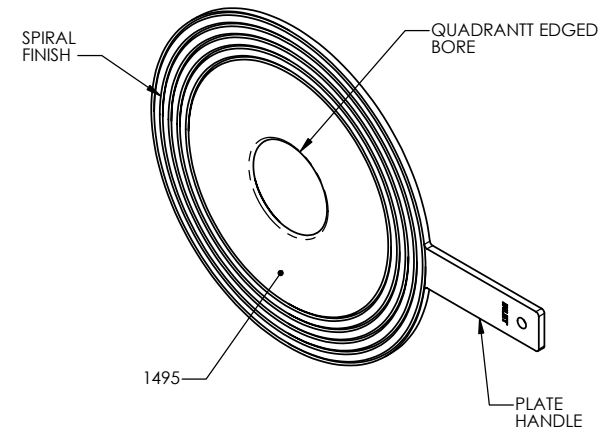
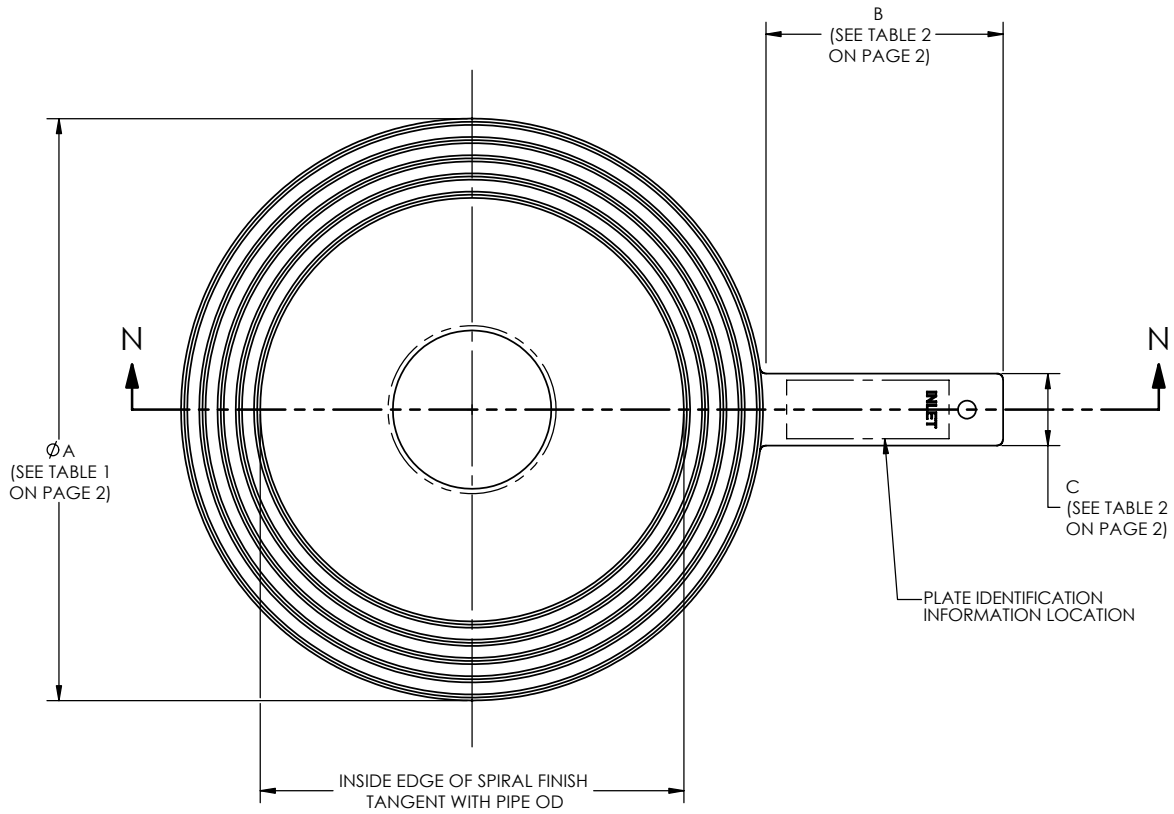
DETAIL M
SCALE 2 : 1



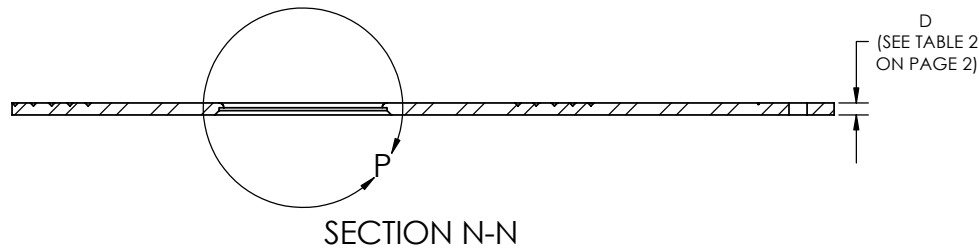
SECTION L-L

SEGMENTAL BORE

ROSEMOUNT [®]		
BOULDER, COLORADO		
SIZE A	FSCM.NO.	DRAWING NO. 01495-1002
SCALE: NONE	WT.	SHEET 8 OF 12

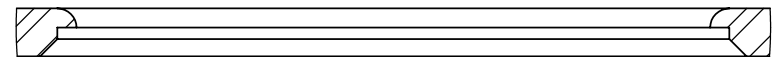
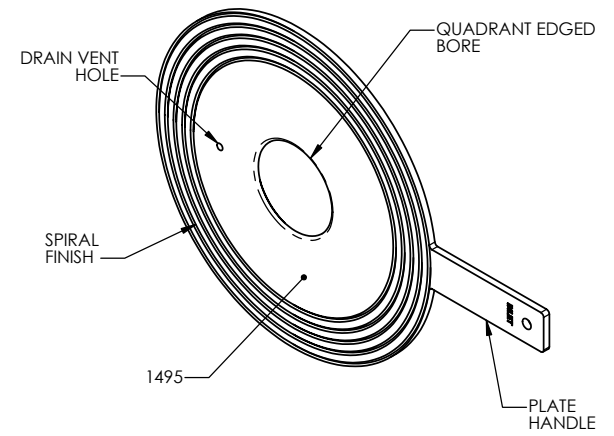
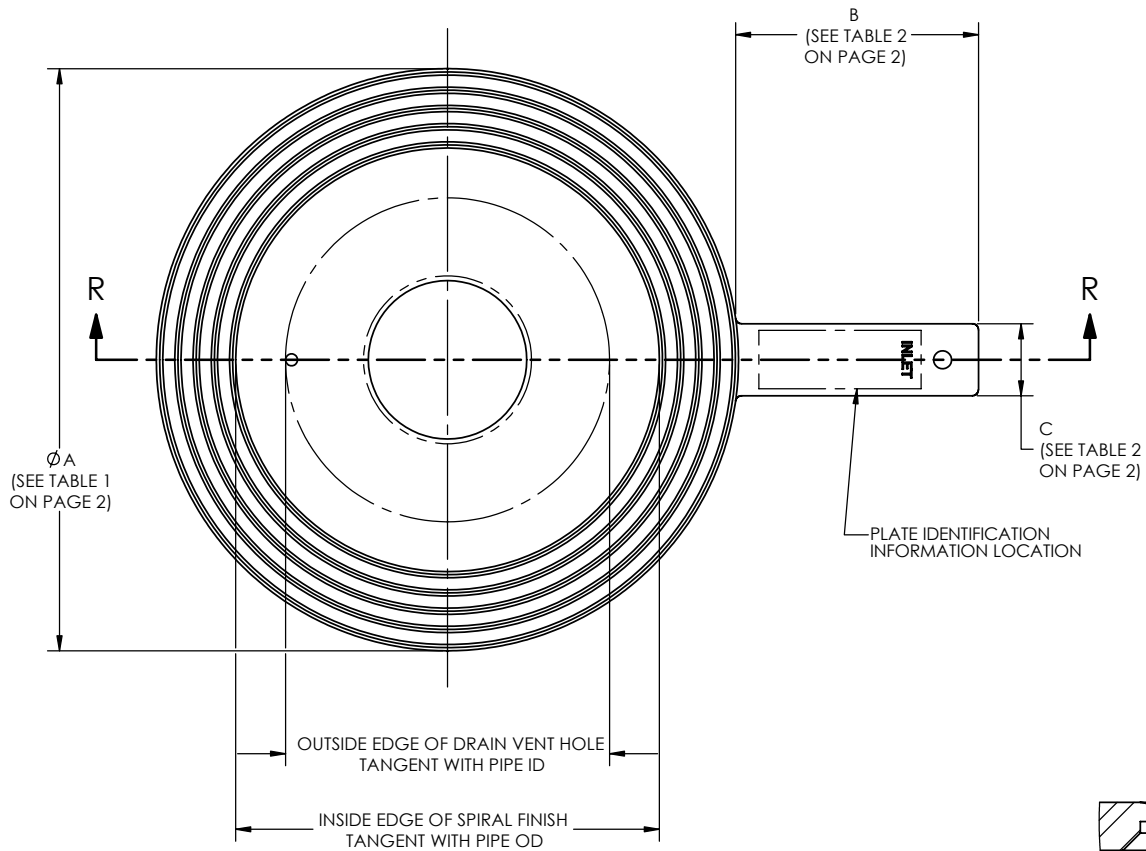


DETAIL P
 SCALE 2 : 1

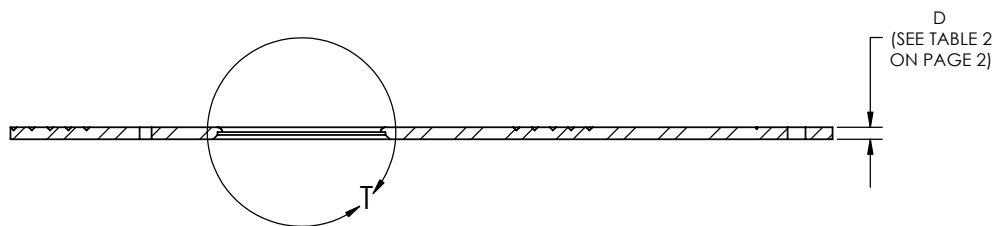


QUADRANT EDGED BORE

ROSEMOUNT®		
<small>BOULDER, COLORADO</small>		
SIZE A	FSCM.NO.	DRAWING NO. 01495-1002
SCALE: NONE	WT.	SHEET 9 OF 12



DETAIL T
 SCALE 2 : 1

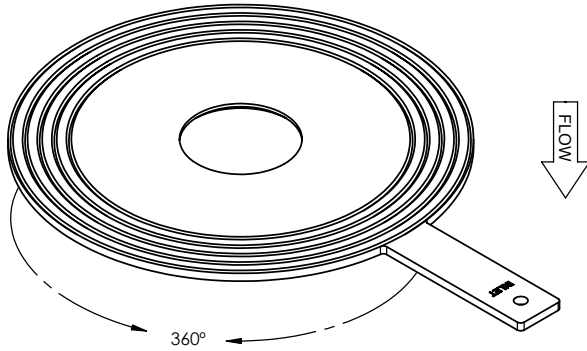


SECTION R-R

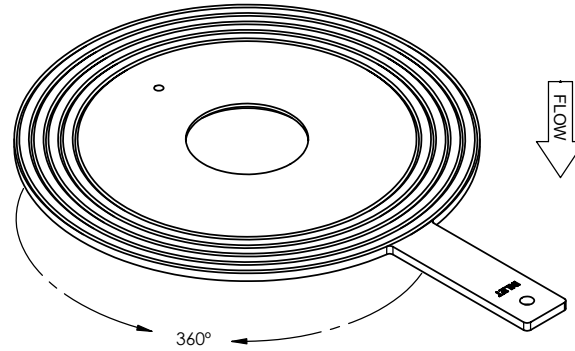
**QUADRANT EDGED BORE
 WITH DRAIN VENT HOLE**

ROSEMOUNT®		
<small>BOULDER, COLORADO</small>		
SIZE A	FSCM.NO.	DRAWING NO. 01495-1002
SCALE: NONE	WT.	SHEET 10 OF 12

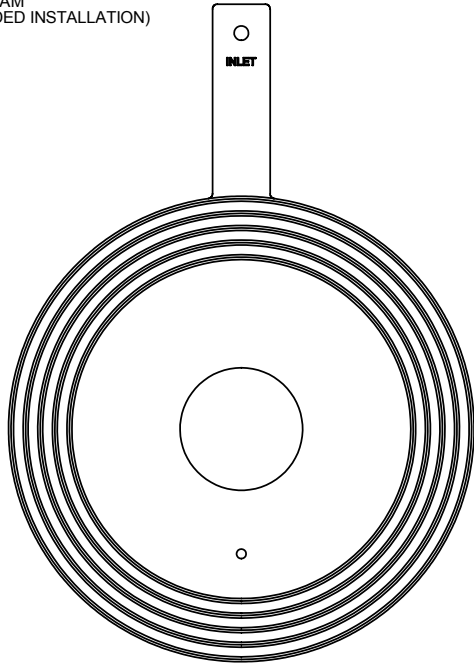
HORIZONTAL / VERTICAL GAS, LIQUID AND STEAM
(RECOMMENDED INSTALLATION)



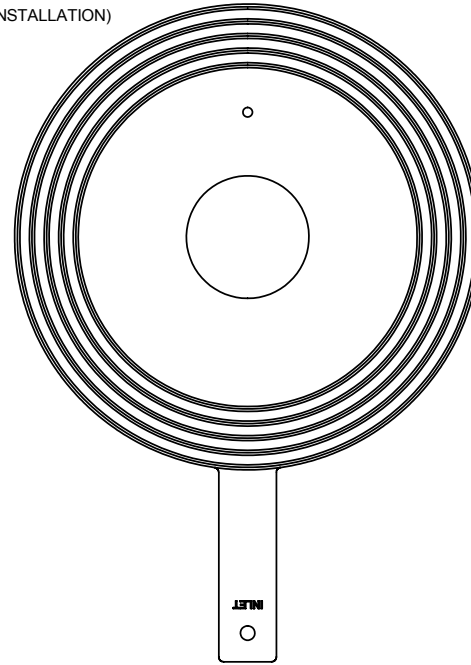
VERTICAL WITH DRAIN VENT HOLE
GAS, LIQUID AND STEAM
(RECOMMENDED INSTALLATION)



HORIZONTAL WITH DRAIN VENT HOLE
GAS AND STEAM
(RECOMMENDED INSTALLATION)



HORIZONTAL WITH DRAIN VENT HOLE
LIQUID
(RECOMMENDED INSTALLATION)



ORIENTATION OPTION

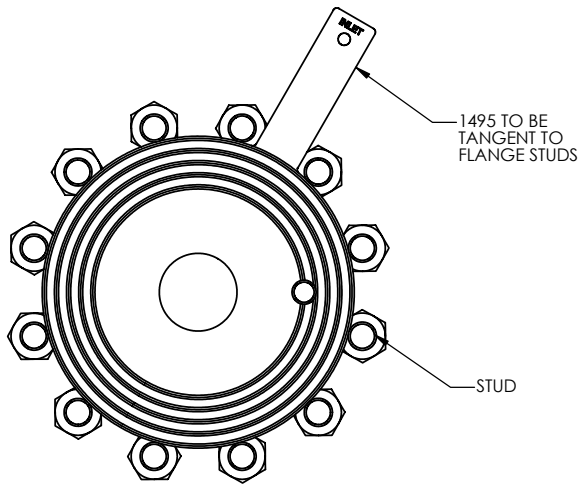
ROSEMOUNT[®]

BOULDER, COLORADO

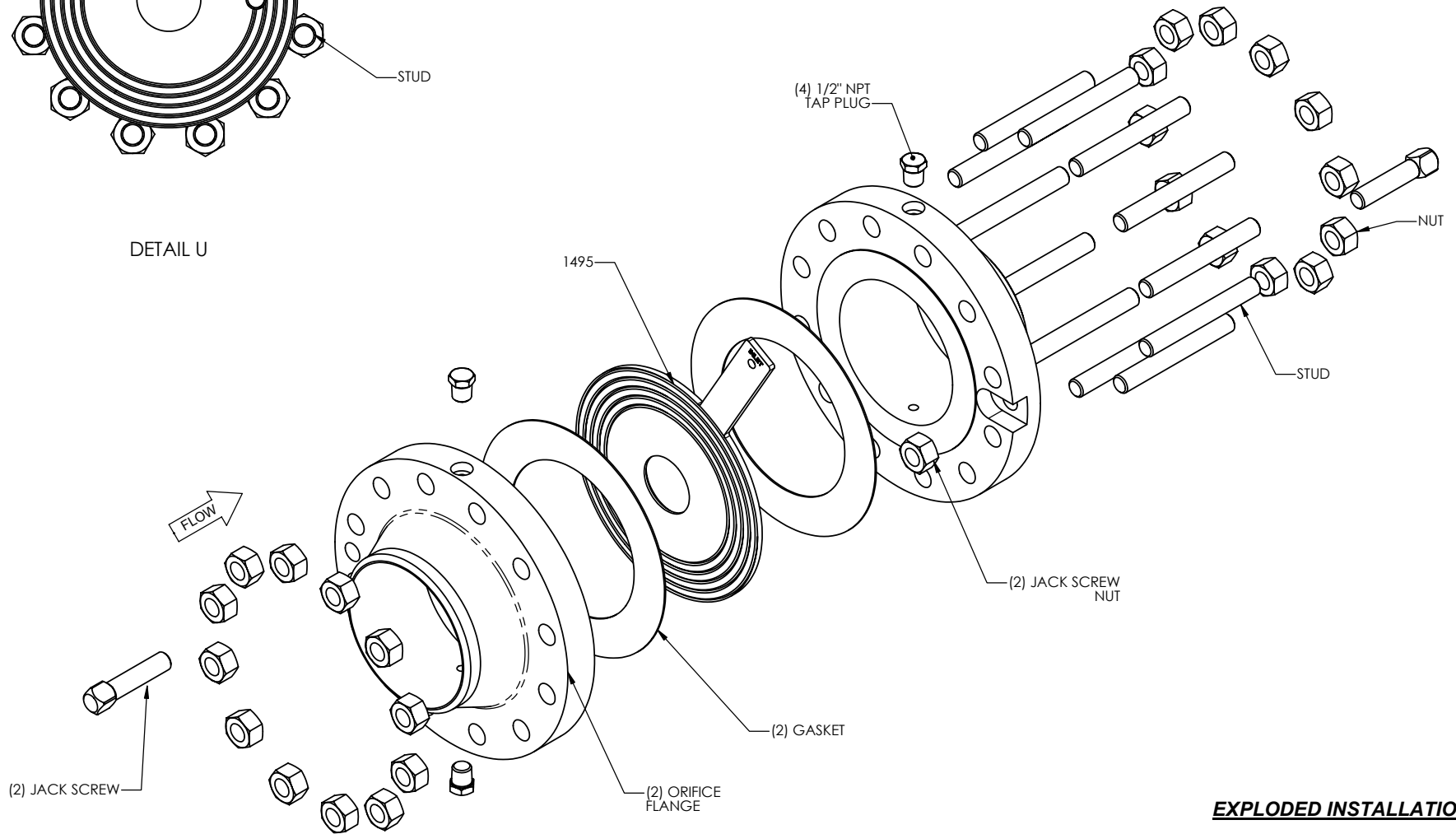
SIZE A	FSCM.NO.	DRAWING NO. 01495-1002
-----------	----------	---------------------------

SCALE: NONE WT.

SHEET 11 OF 12



DETAIL U



EXPLODED INSTALLATION VIEW

ROSEMOUNT [®]		
BOULDER, COLORADO		
SIZE A	FSCM.NO.	DRAWING NO. 01495-1002
SCALE: NONE	WT.	SHEET 12 OF 12