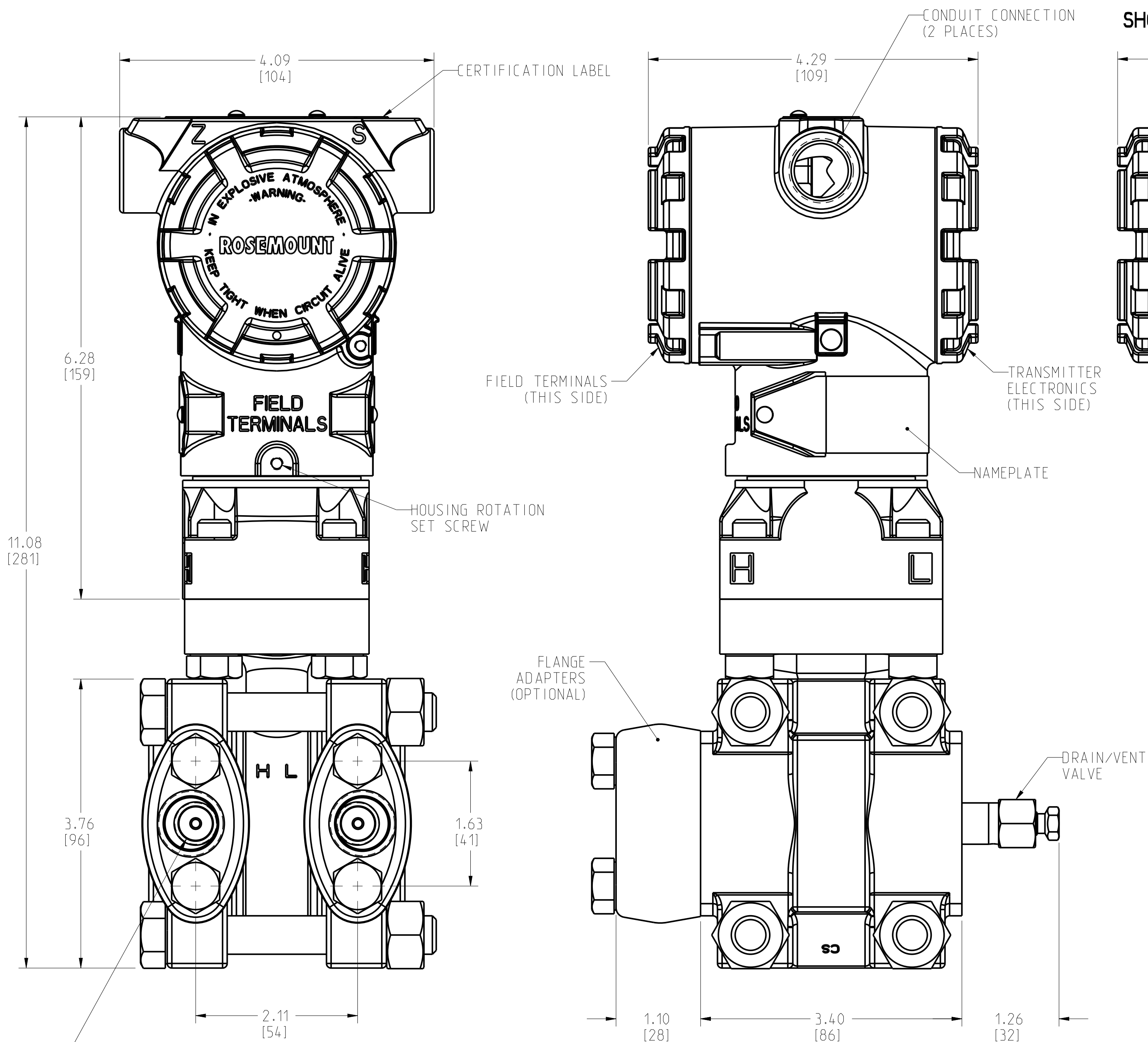
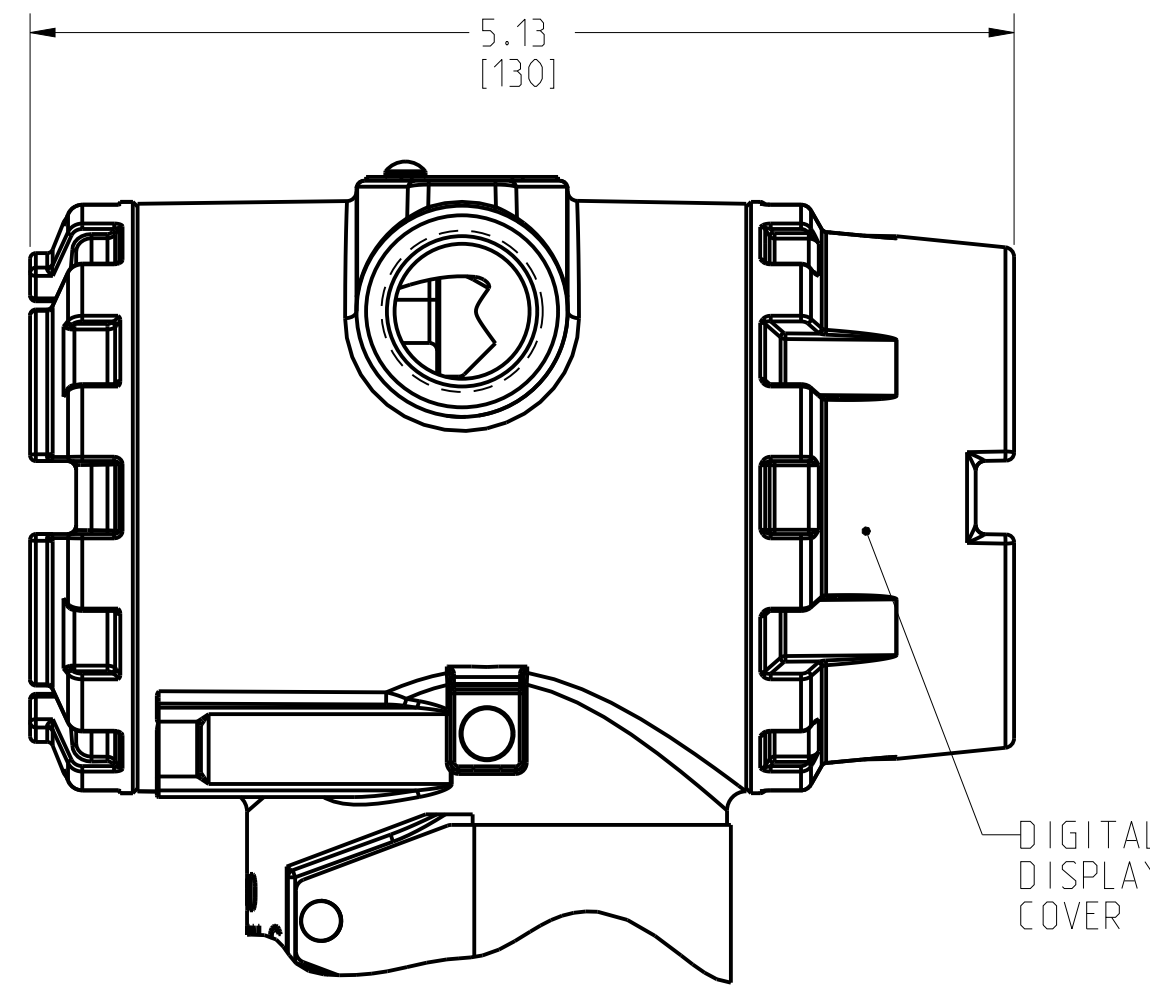


ROSEMOUNT 3051H PRESSURE TRANSMITTER FOR HIGH-TEMPERATURE PROCESSES

OUTPUT CODE (A) AND (M) ALUMINUM/SST HOUSING

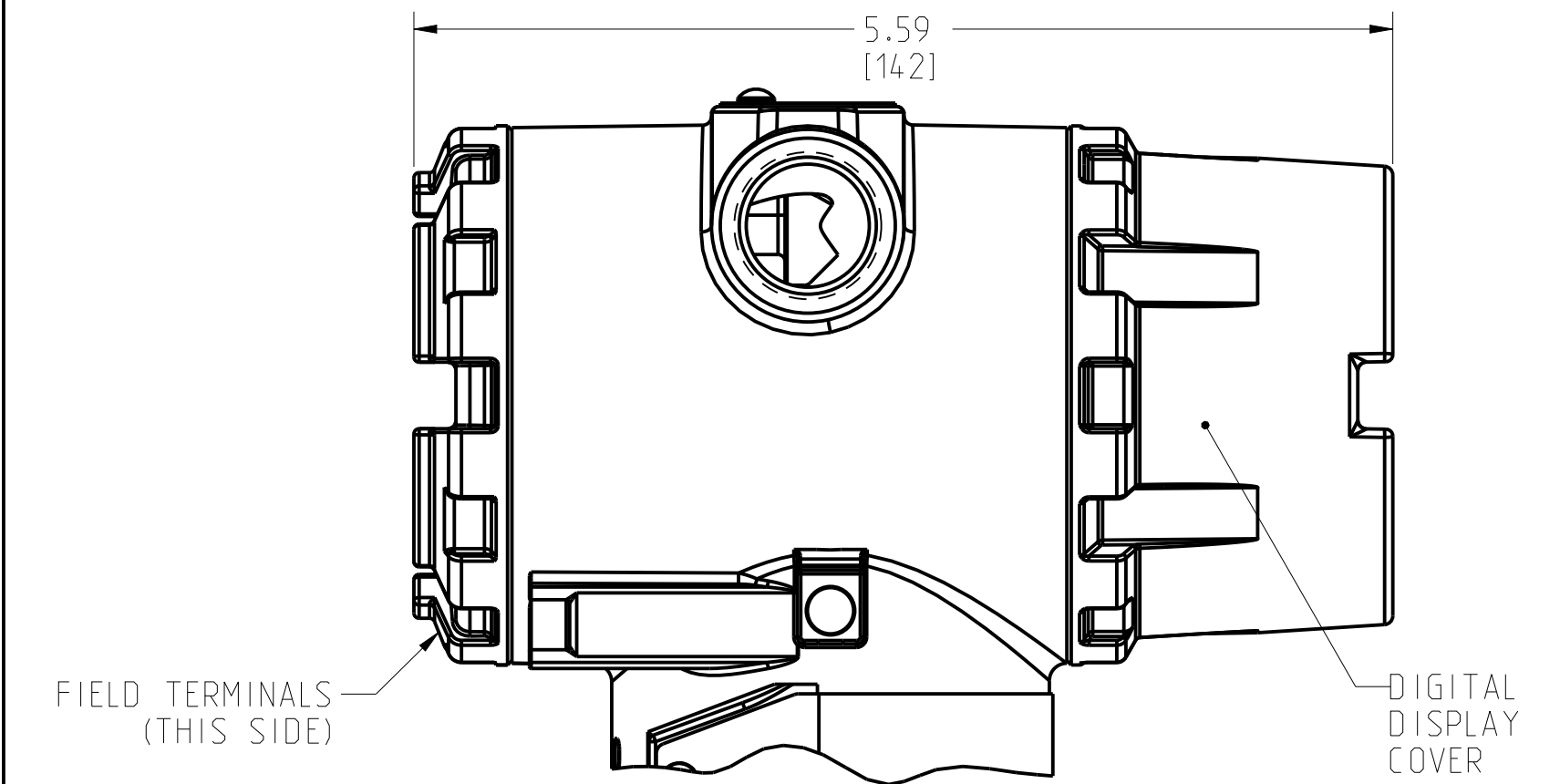


SHOWN WITH OPTIONAL DIGITAL DISPLAY

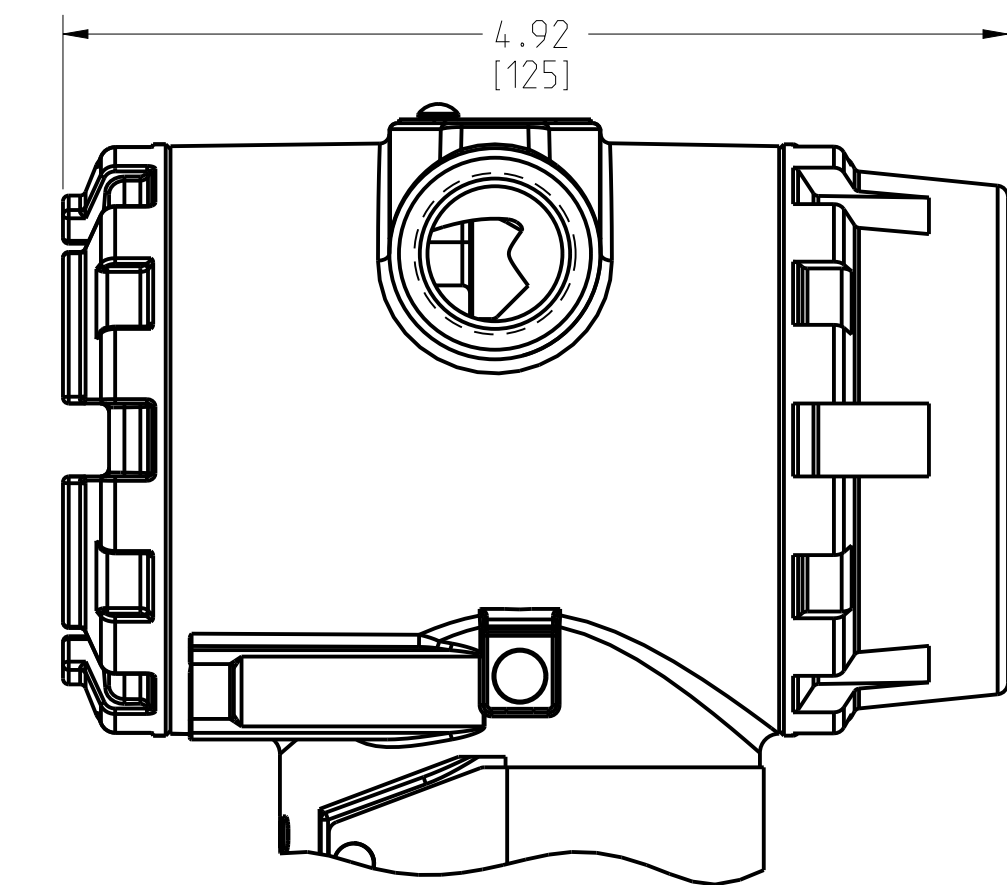


OUTPUT CODE (F) AND (W)

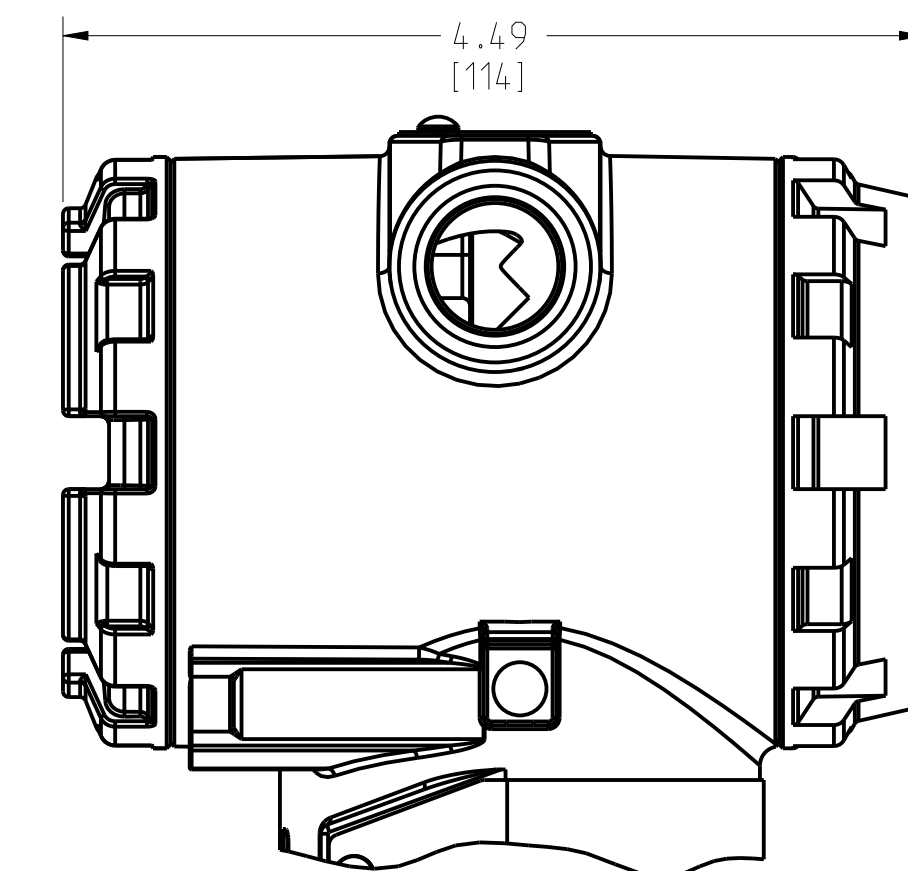
ALUMINUM/SST HOUSING SHOWN WITH OPTIONAL DIGITAL DISPLAY



ALUMINUM HOUSING



SST HOUSING



1/4-18 NPT PROCESS CONNECTION OR 1/2-14 NPT WITH OPTIONAL FLANGE ADAPTERS. ADAPTERS CAN BE ROTATED TO PROVIDE CONNECTION CENTERS OF 2.00 [51], 2.125 [54], OR 2.25 [57]

2. .75 [19] CLEARANCE REQUIRED TO REMOVE COVERS

1. ROSEMOUNT INC. CERTIFIES THESE DRAWINGS ARE IN ACCORDANCE WITH ROSEMOUNT ENGINEERING SPECIFICATIONS AND ACCURATELY REPRESENT THE EQUIPMENT FURNISHED.

NOTES:

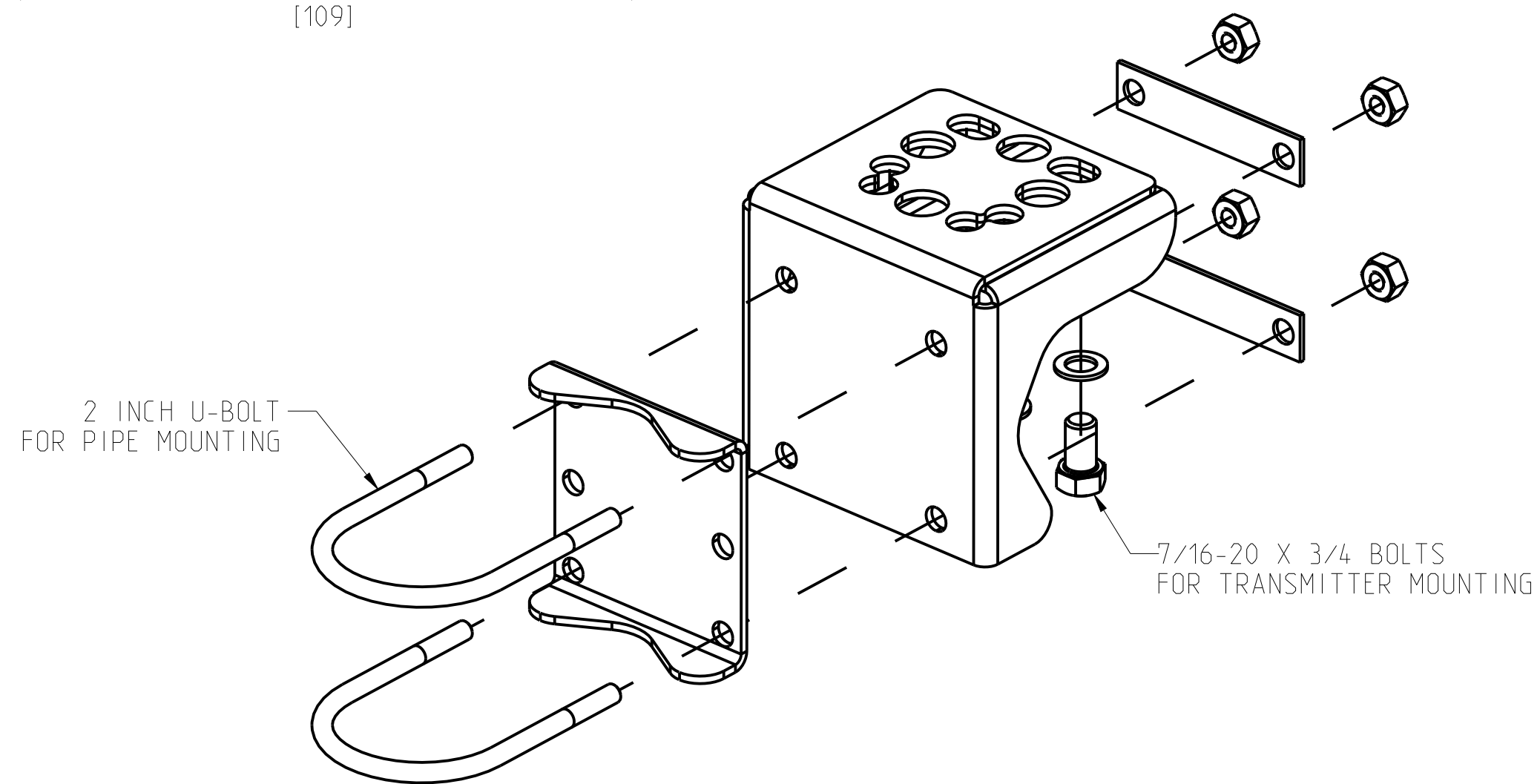
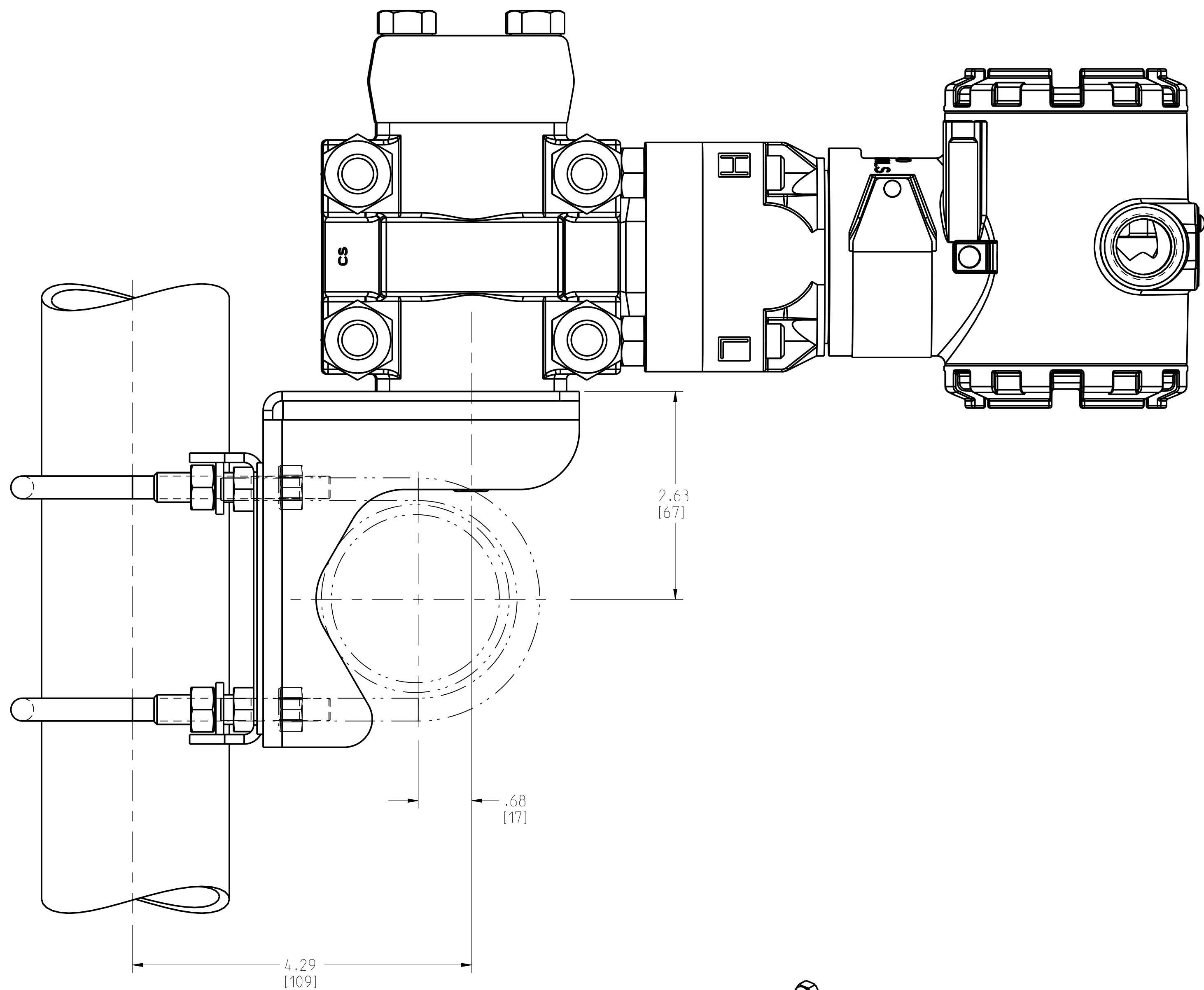
REVISION TABLE			
REVISION	ECO NO.	APP'D	DATE
AC	-	-	-
DESCRIPTION			
CONVERT TO PRO/E			

UNLESS OTHERWISE SPECIFIED CONNECTIONS AND DIMENSIONS INFORMATION IS CONTAINED HEREIN AND MUST BE HANDLED ACCORDINGLY. EMERSON	CUSTOMER	3RD ANGLE	SIZE	SCALE	REV
	CUSTOMER DWG NO.		D	1/1	AC
	P.O. No.	EMERSON ROSEMOUNT Process Management			
	S.O. No.	TITLE ROSEMOUNT 3051H PRESSURE TRANSMITTER FOR HIGH-TEMPERATURE PROCESSES			
PROJECT NAME	DR. NV-LRB 10/26/10	DRAWING NO.	03031-1033		
APP'D			03031-1033		
DO NOT SCALE PRINT CAD MAINTAINED. (PRO/E) PRODUCT CODE - DOC TYPE - SHEET 1 OF 2					

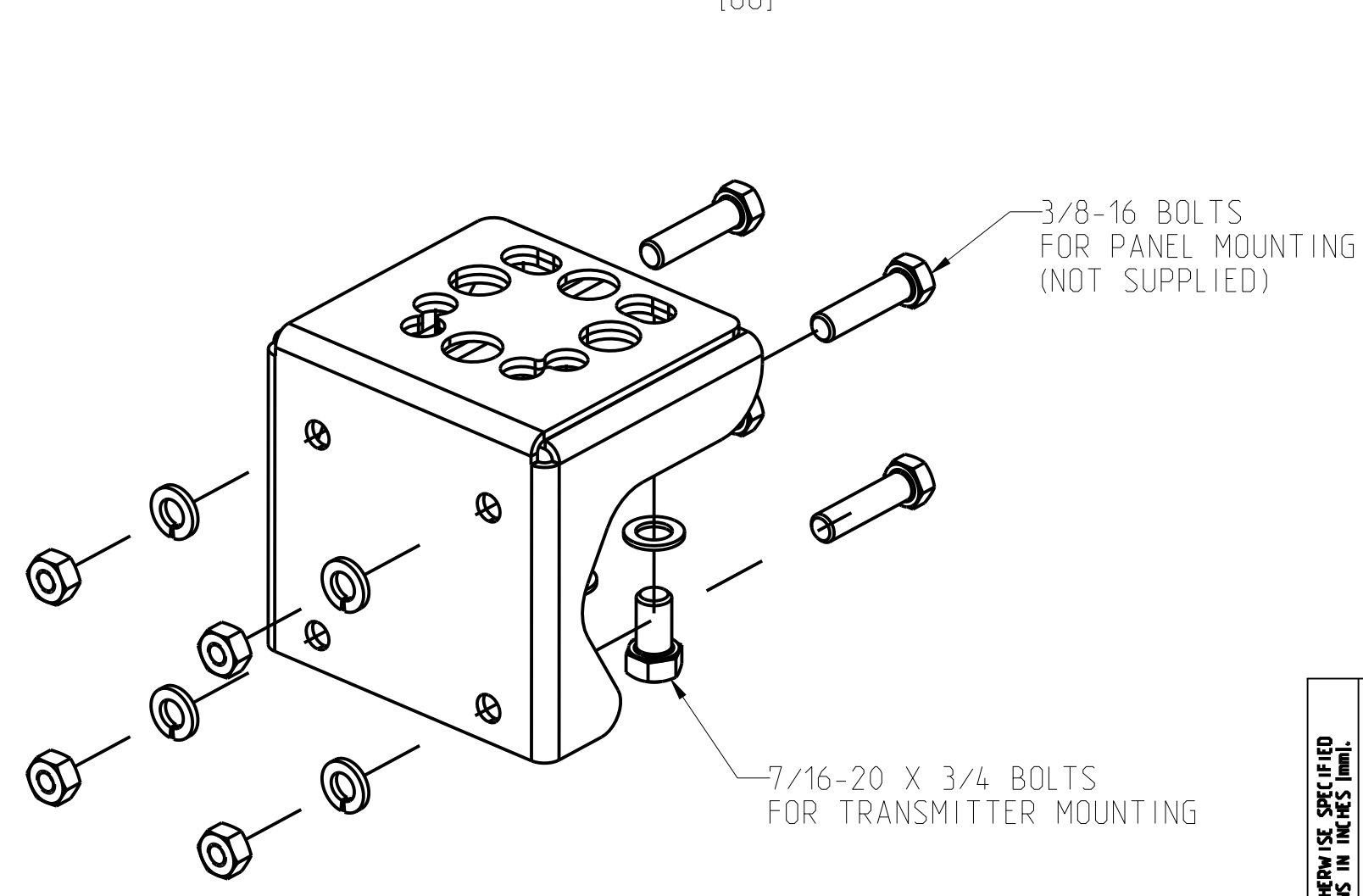
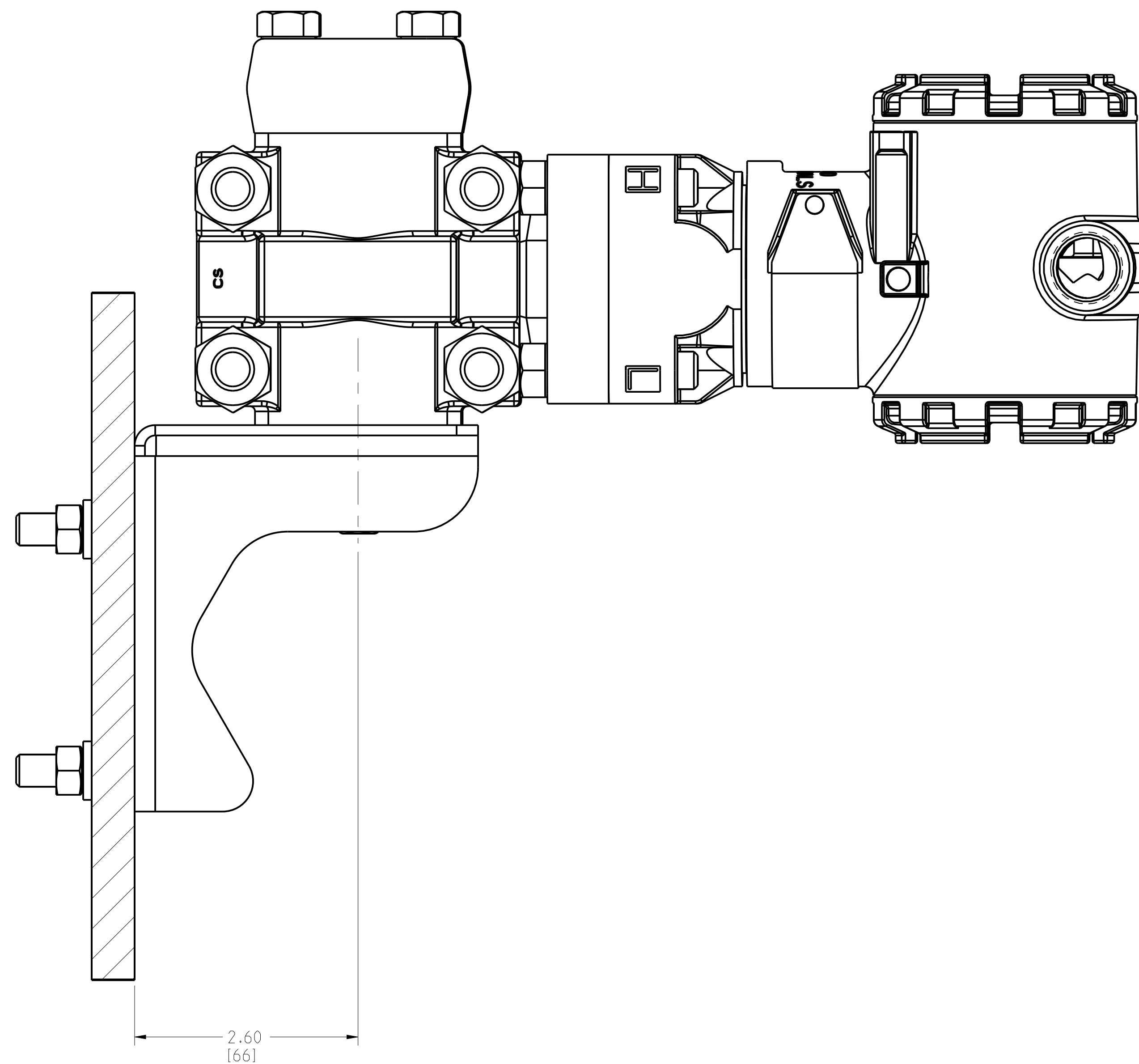
DRAWING NO. 03031-1033 TAG NO. CAL.

ROSEMOUNT 3051H PRESSURE TRANSMITTER FOR HIGH-TEMPERATURE PROCESSES
MOUNTING CONFIGURATIONS WITH OPTIONAL MOUNTING BRACKET

PIPE MOUNTING



PANEL MOUNTING



<small>UNLESS OTHERWISE SPECIFIED CONNECTIONS AND PRESSURE RATING INFORMATION IS CONTAINED HEREIN AND MUST BE HANDLED ACCORDINGLY. EMERSON</small>	CUSTOMER	3RD ANGLE	SIZE	SCALE	REV
	CUSTOMER DWG NO.		D	1/1	AC
	P.O. No.	...	EMERSON Process Management ROSEMOUNT®		
	S.O. No.	...	TITLE ROSEMOUNT 3051H PRESSURE TRANSMITTER FOR HIGH-TEMPERATURE PROCESSES		
	PROJECT NAME	DR. NV-LRB 10/26/10	DRAWING NO.	03031-1033	
	APP'D	-	-	- DOC TYPE - SHEET 2 OF 2	
	DO NOT SCALE PRINT	CAD MAINTAINED. (PRO/E)	PRODUCT CODE		

DRAWING NO. 03031-1033
 TAG NO. CAL.