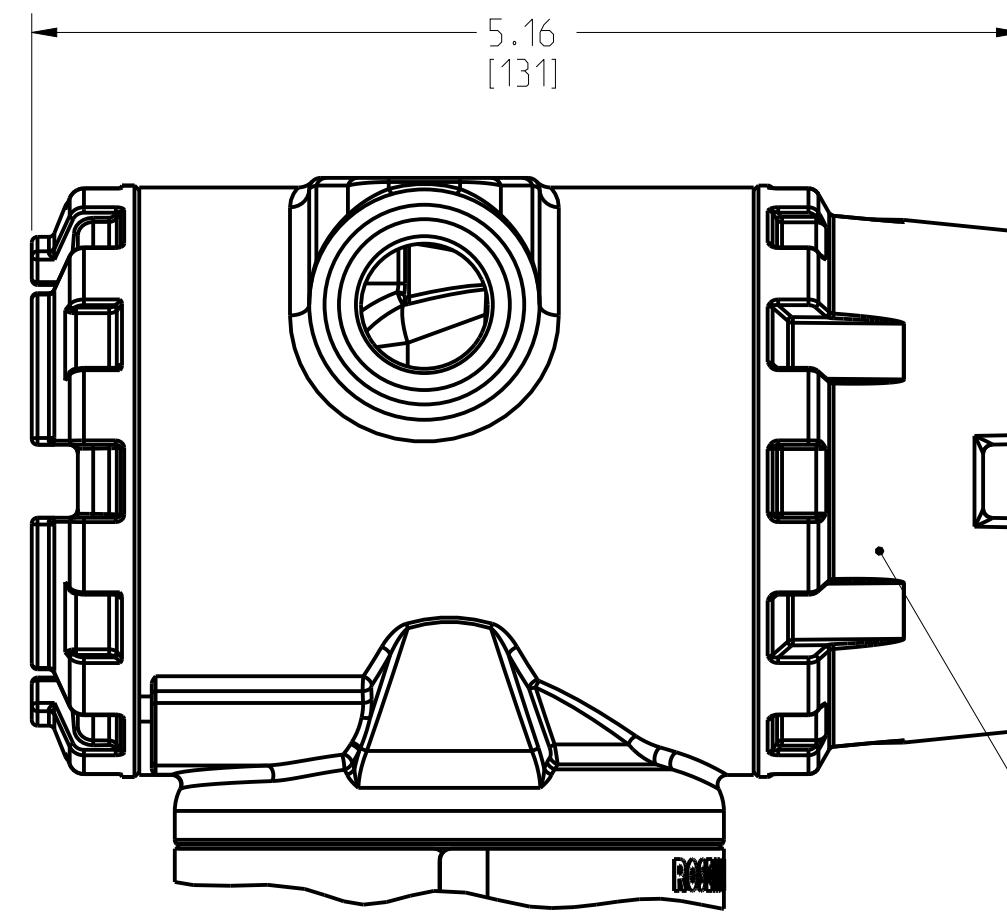


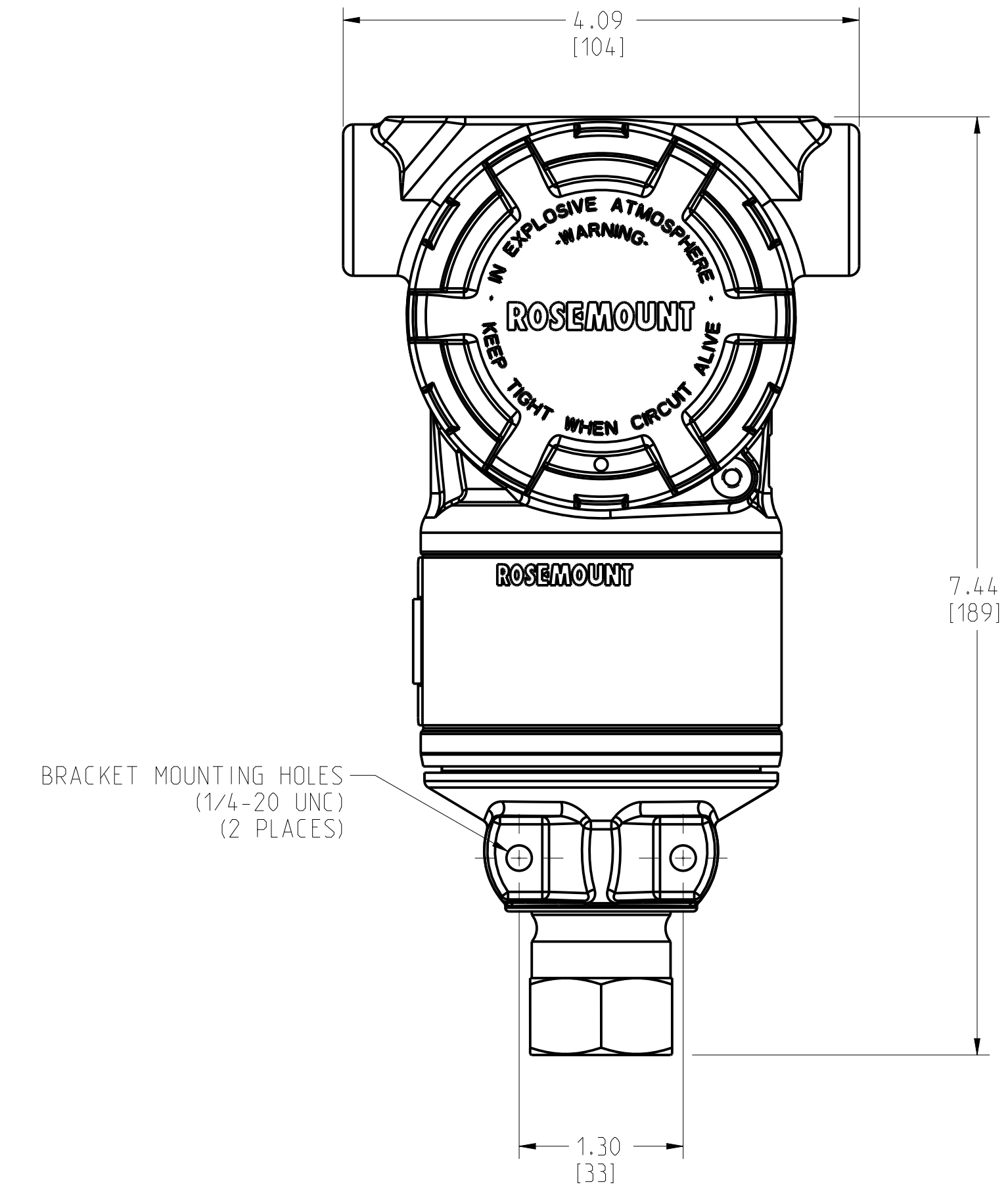
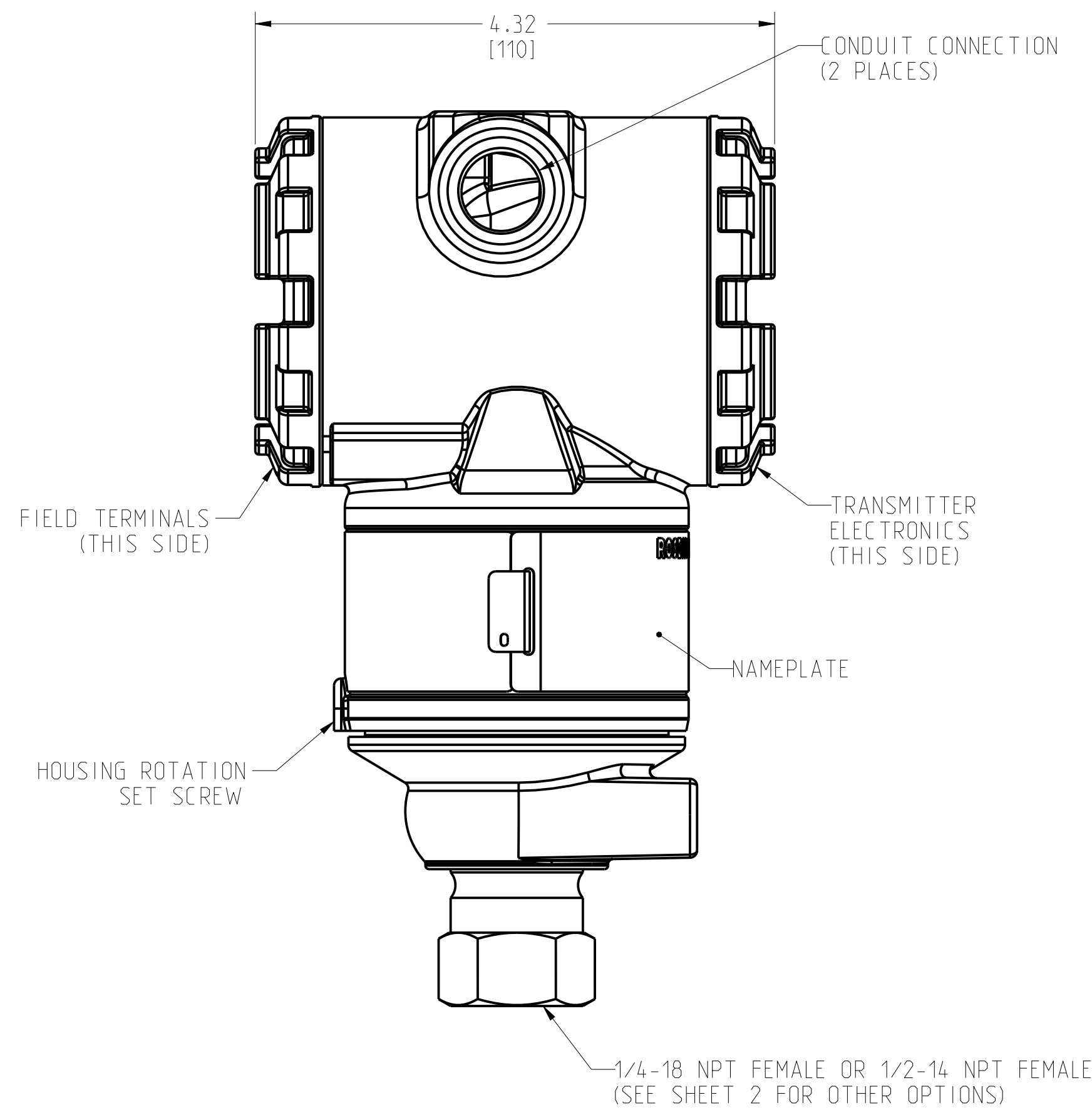
ROSEMOUNT 3051T REV. 5 PRESSURE TRANSMITTER

REVISION TABLE			
REVISION	ECO NO.	APP'D	DATE
AC	-	-	-
DESCRIPTION			
CONVERT TO PRO/E			

SHOWN WITH OPTIONAL DIGITAL DISPLAY



DIGITAL DISPLAY COVER



2. .75 [19] CLEARANCE REQUIRED TO REMOVE COVERS

1. ROSEMOUNT INC. CERTIFIES THESE DRAWINGS ARE IN ACCORDANCE WITH ROSEMOUNT ENGINEERING SPECIFICATIONS AND ACCURATELY REPRESENT THE EQUIPMENT FURNISHED.

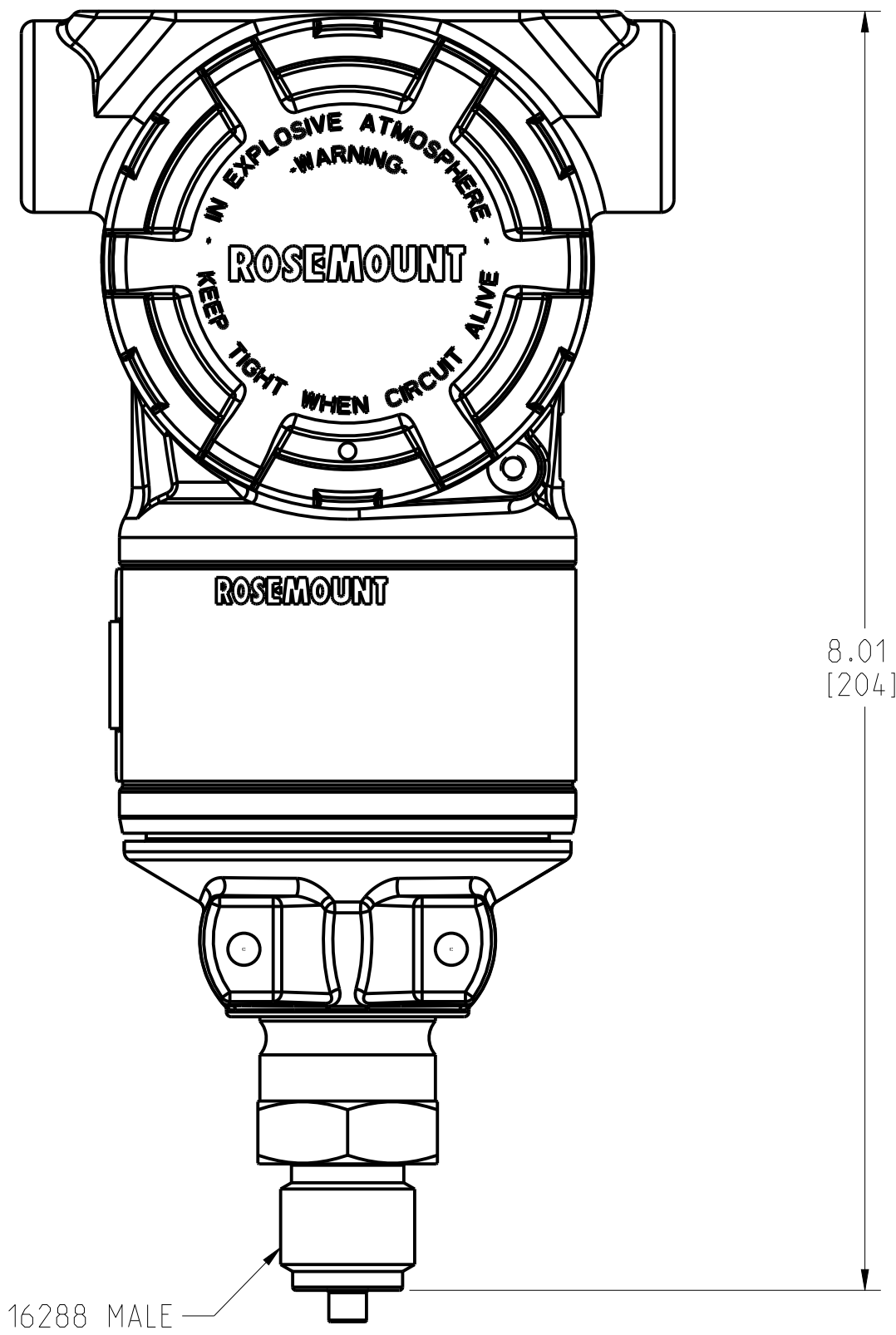
NOTES:

DRAWING NO. 03151-6004 TAG NO. CAL.

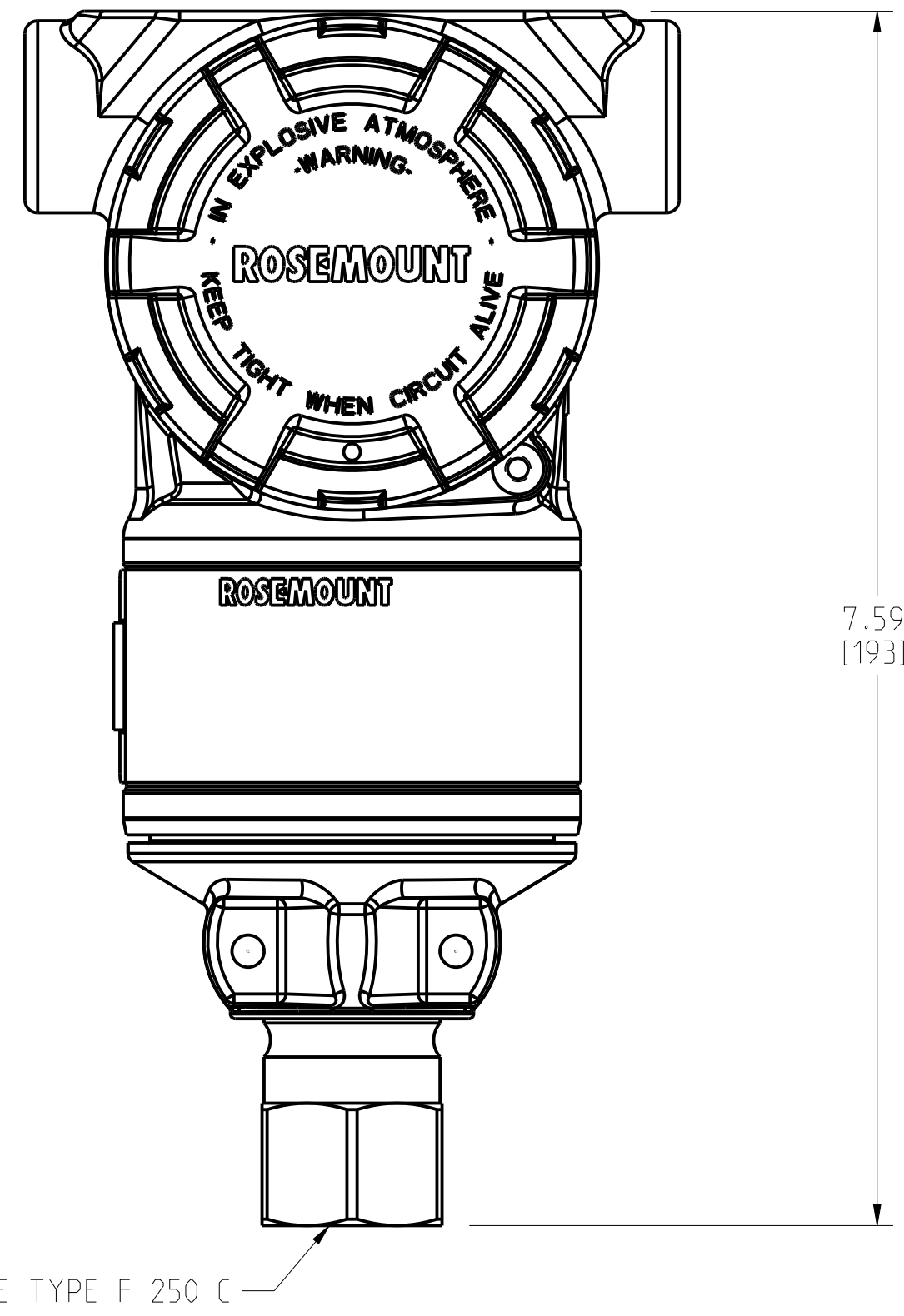
UNLESS OTHERWISE SPECIFIED CONVERSIONS AND DIMENSIONS ARE IN INCHES AND POUNDS PER SQUARE INCH. INFORMATION IS CONTAINED HEREIN AND MUST BE HANDLED ACCORDING TO EMERSON INFORMATION WITHIN THIS DOCUMENT IS UNCLASSIFIED UNLESS INDICATED OTHERWISE ENGINEERING USE: REFERENCE TO THIS DOCUMENT IS NOT INTENDED FOR REPRODUCTION OR FOR ENGINEERING INFORMATION	CUSTOMER	3RD ANGLE	SIZE	SCALE	REV
	CUSTOMER DWG NO.		D	1/2	AC
	P.O. No.	TITLE	ROSEMOUNT 3051T REV. 5 PRESSURE TRANSMITTER		
	S.O. No.	DR. NV-LRB 10/26/10	DRAWING NO.	03151-6004	
PROJECT NAME	APP'D	-	-	DOC TYPE	SHEET 1 OF 3
DO NOT SCALE PRINT	CAD MAINTAINED. (PRO/E)	PRODUCT CODE	-	-	-

ROSEMOUNT 3051T REV. 5 PRESSURE TRANSMITTER

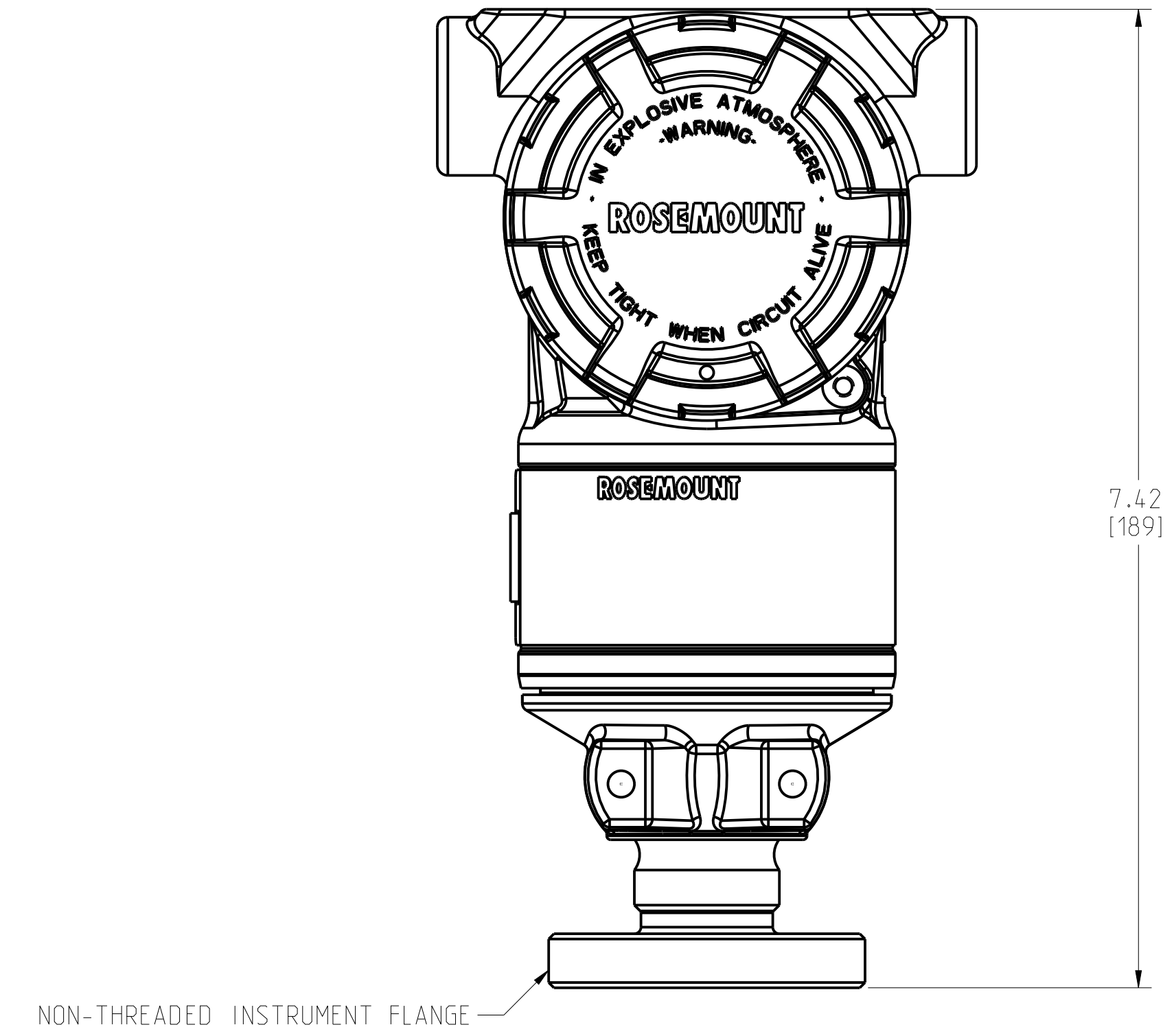
G 1/2 A DIN 16288 MALE
PROCESS CONNECTION



AUTOCLAVE TYPE F-250-C
PROCESS CONNECTION



NON-THREADED INSTRUMENT FLANGE
PROCESS CONNECTION



G 1/2 A DIN 16288 MALE

AUTOCLAVE TYPE F-250-C

NON-THREADED INSTRUMENT FLANGE

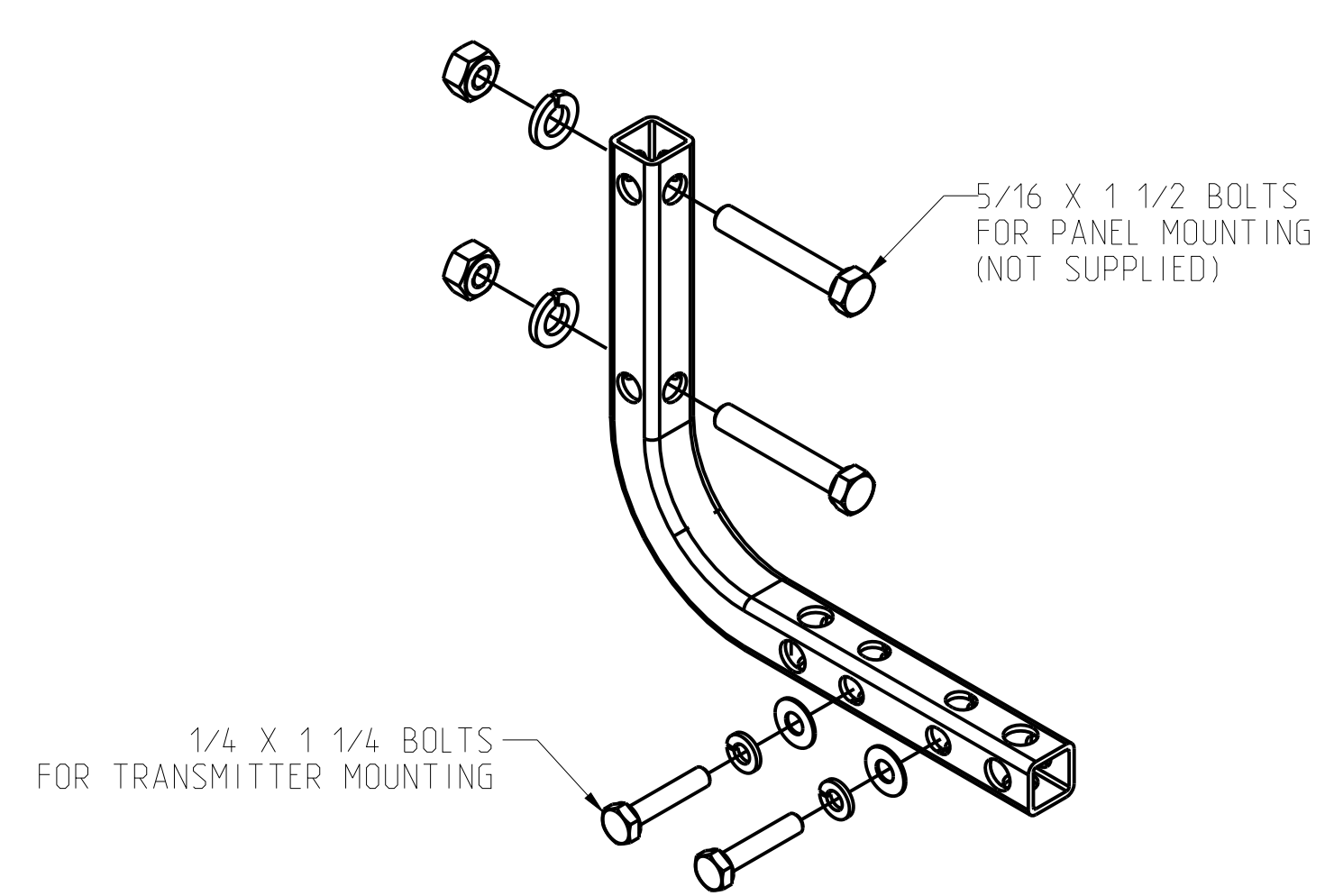
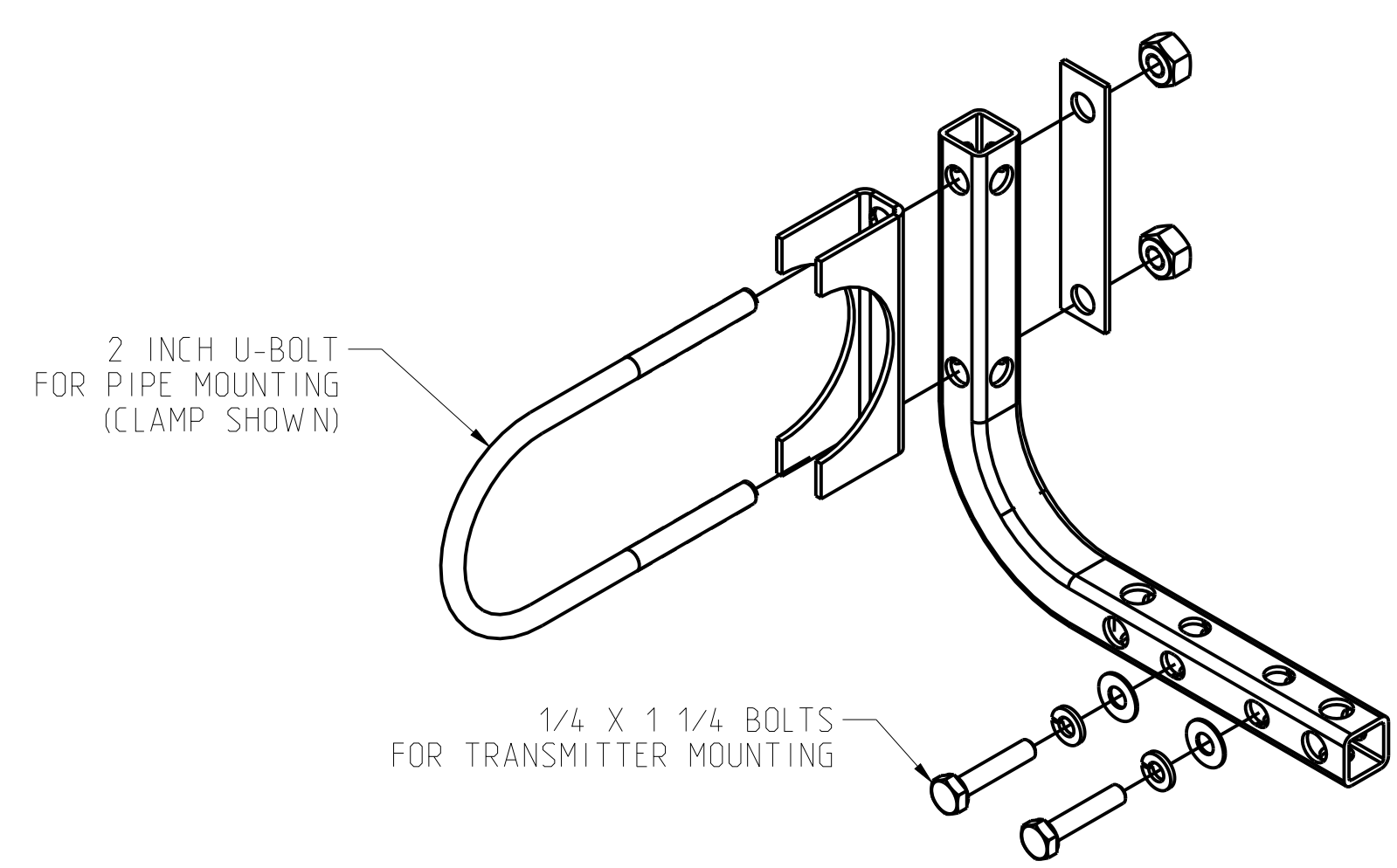
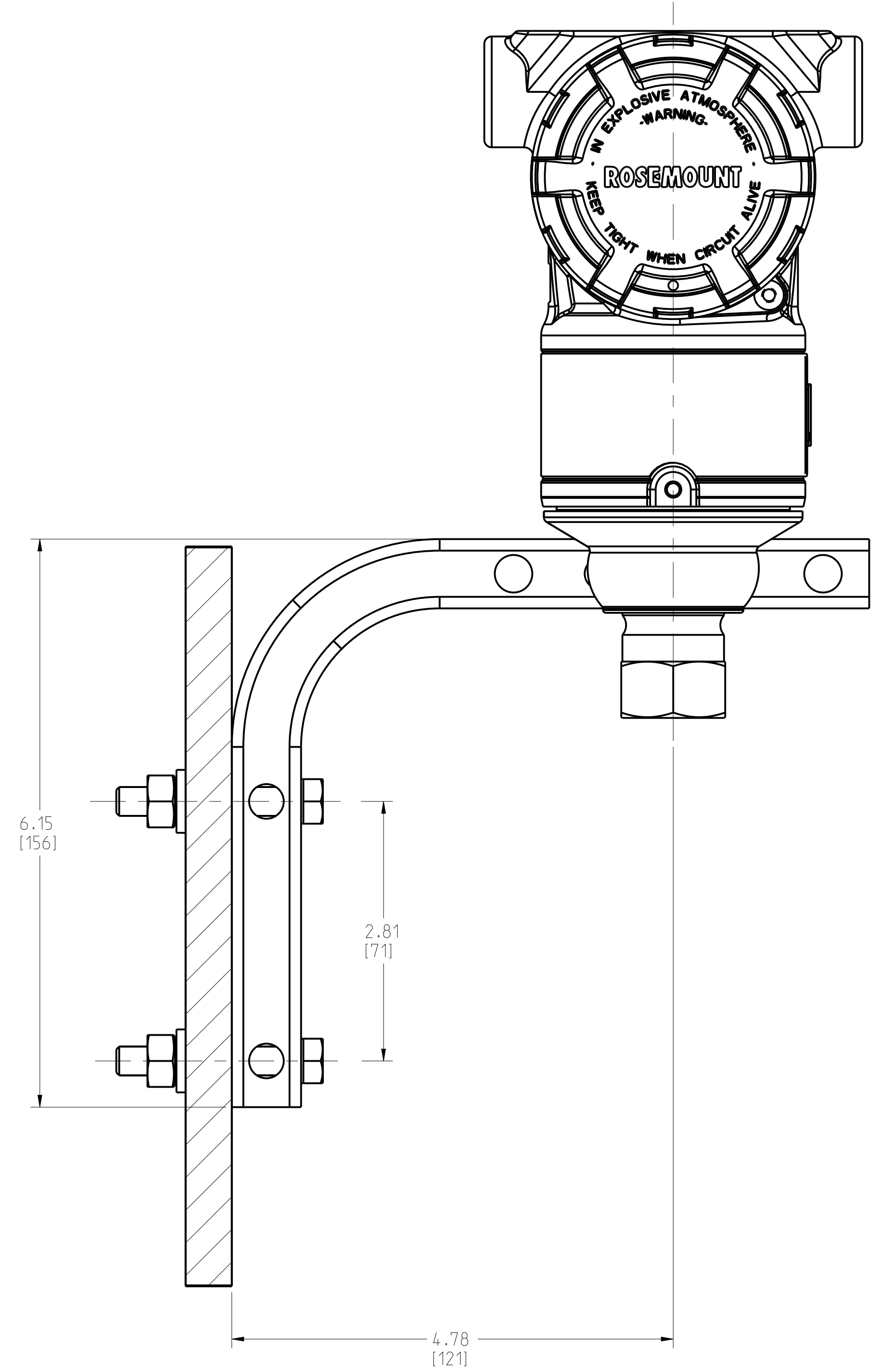
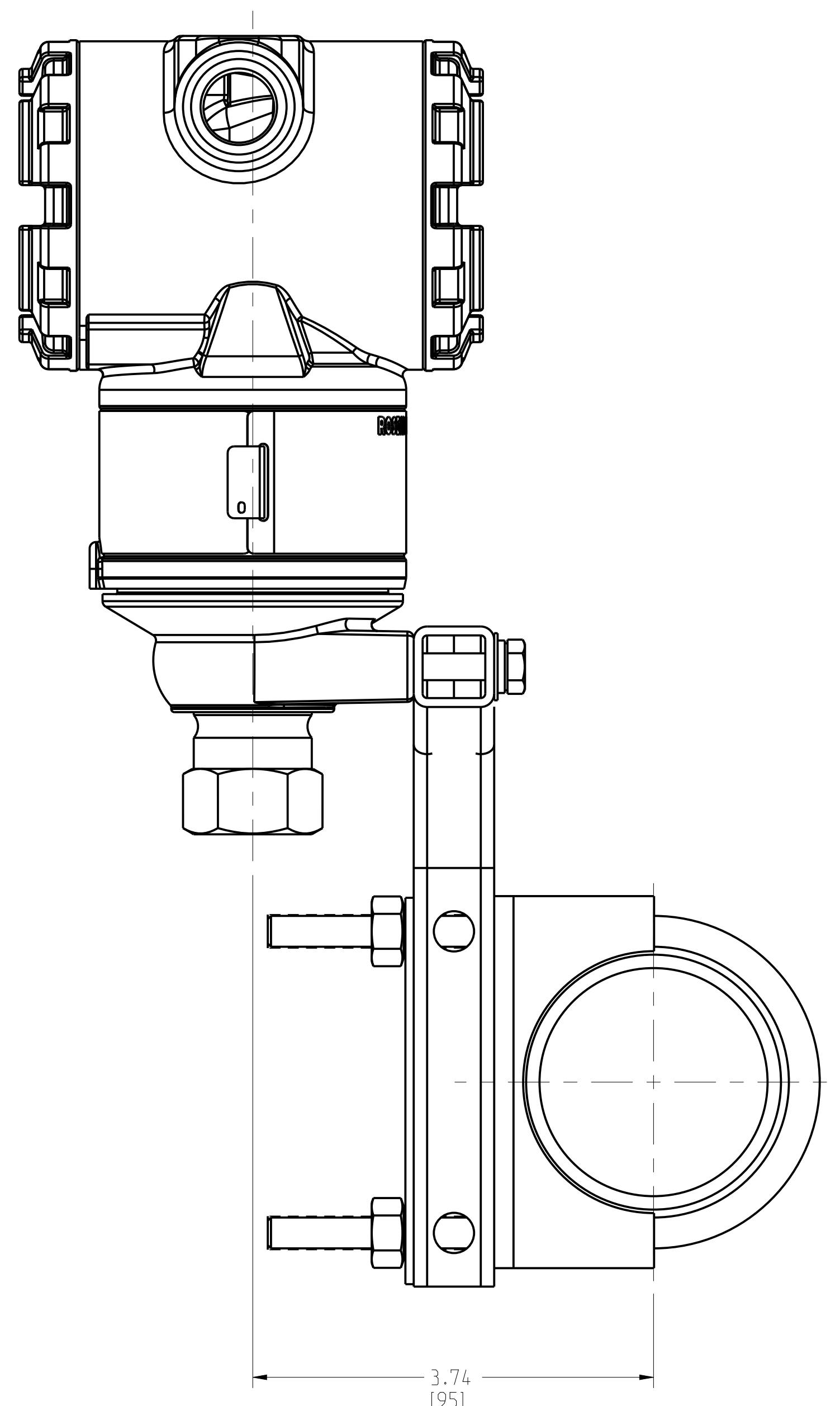
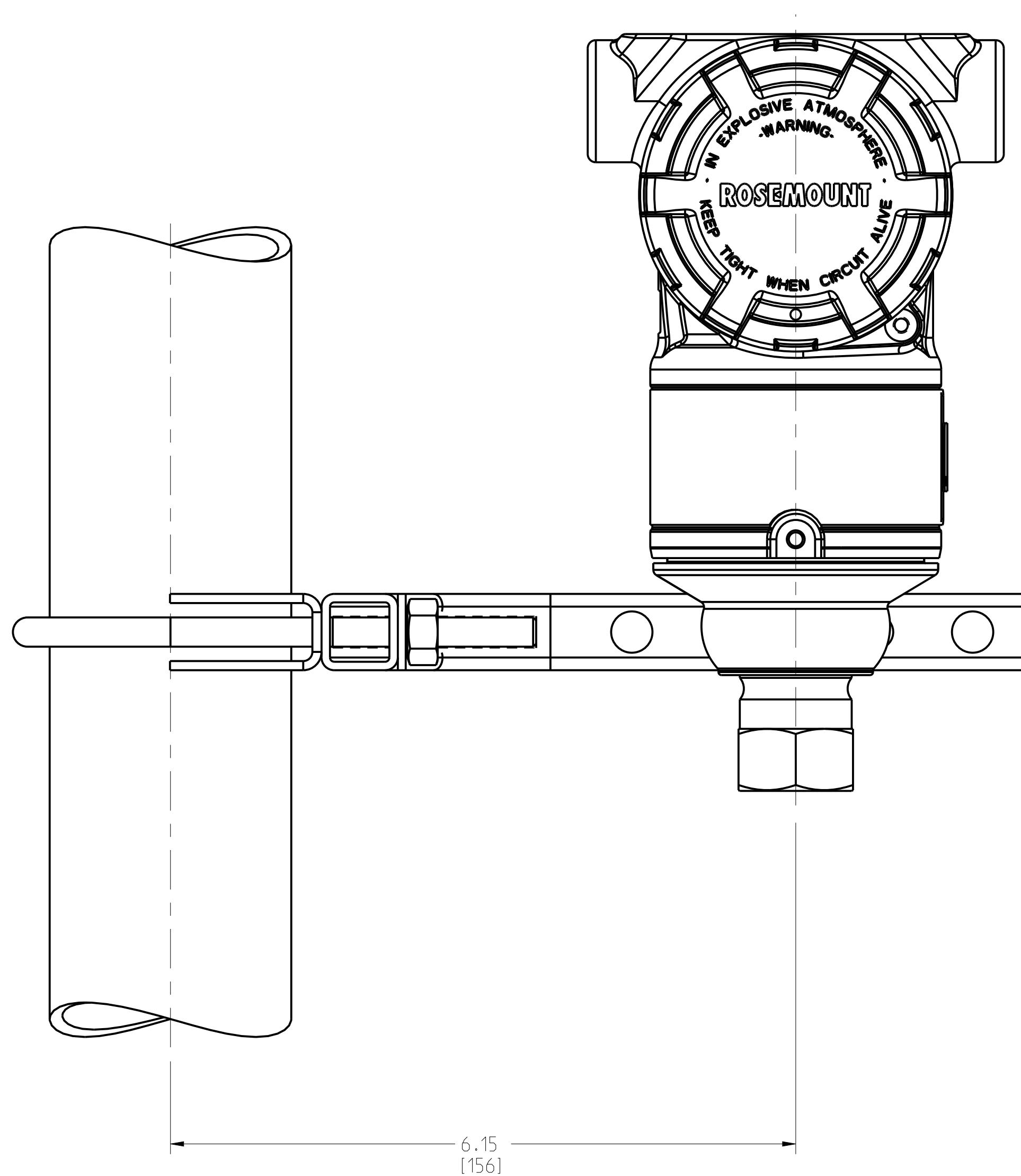
DRAWING NO. 03151-6004 TAG NO. CAL.

UNLESS OTHERWISE SPECIFIED CONSTRUCTION AND DIMENSIONS INFORMATION IS CONTAINED HEREIN AND MUST BE HANDLED ACCORDINGLY. EMERSON INFORMATION WITHIN THIS DOCUMENT IS UNCLASSIFIED UNLESS INDICATED OTHERWISE ENGINEERING USE: REFERENCE TO THIS DOCUMENT IS FOR IDENTIFICATION PURPOSES ONLY FOR ENGINEERING INFORMATION	CUSTOMER		3RD ANGLE	SIZE	SCALE	REV
	CUSTOMER DWG NO.			D	1/1	AC
	P.O. No.	...	EMERSON Process Management ROSEMOUNT®			
	S.O. No.	...				
PROJECT NAME		DR. NV-LRB 10/26/10	DRAWING NO.		03151-6004	
DO NOT SCALE PRINT		CAD MAINTAINED. (PRO/E)	PRODUCT CODE	-	DOC TYPE	- SHEET 2 OF 3

ROSEMOUNT 3051T REV. 5 PRESSURE TRANSMITTER
MOUNTING CONFIGURATIONS WITH OPTIONAL MOUNTING BRACKET

PIPE MOUNTING

PANEL MOUNTING



<small>UNLESS OTHERWISE SPECIFIED CONNECTIONS AND PRESSURE RATING INFORMATION IS CONTAINED HEREIN AND MUST BE HANDLED ACCORDINGLY. EMERSON</small>	CUSTOMER	3RD ANGLE	SIZE	SCALE	REV
	CUSTOMER DWG NO.		D	1/1	AC
	P.O. No.	...	EMERSON Process Management ROSEMOUNT®		
	S.O. No.	...	TITLE ROSEMOUNT 3051T REV. 5 PRESSURE TRANSMITTER		
PROJECT NAME	DR. NV-LRB 10/26/10	DRAWING NO.	03151-6004		
APP'D			SHEET 3 OF 3		
DO NOT SCALE PRINT CAD MAINTAINED. (PRO/E) PRODUCT CODE - DOC TYPE -					

DRAWING NO. 03151-6004 TAG NO. CAL.