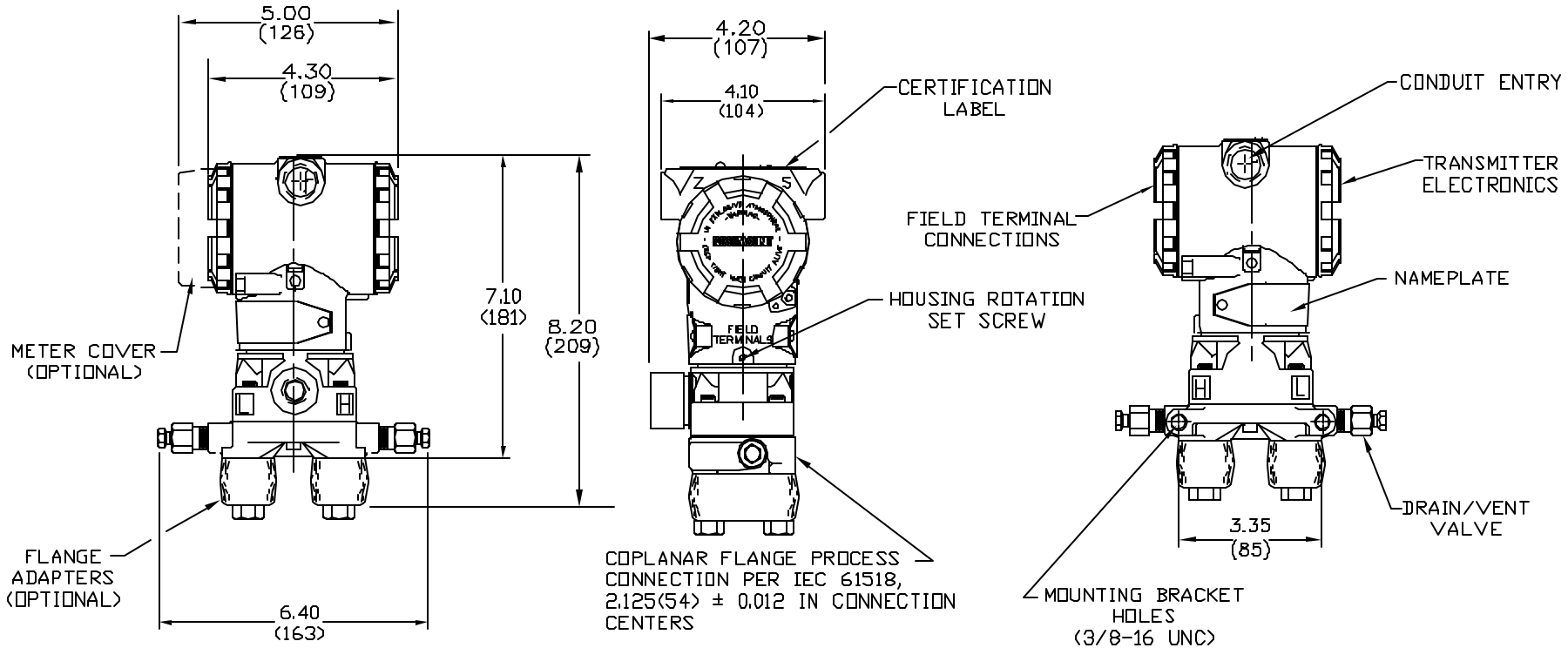
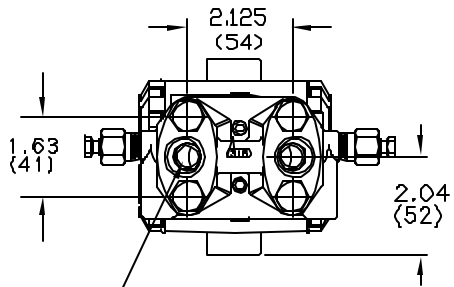


3095 TRANSMITTER- COPLANAR FLANGE

REVISIONS				
REV	DESCRIPTION	CHG.NO.	APP'D	DATE
AB	UPDATE DIMENSIONS AND CODES	RTC 1014431	BH	12/18/02



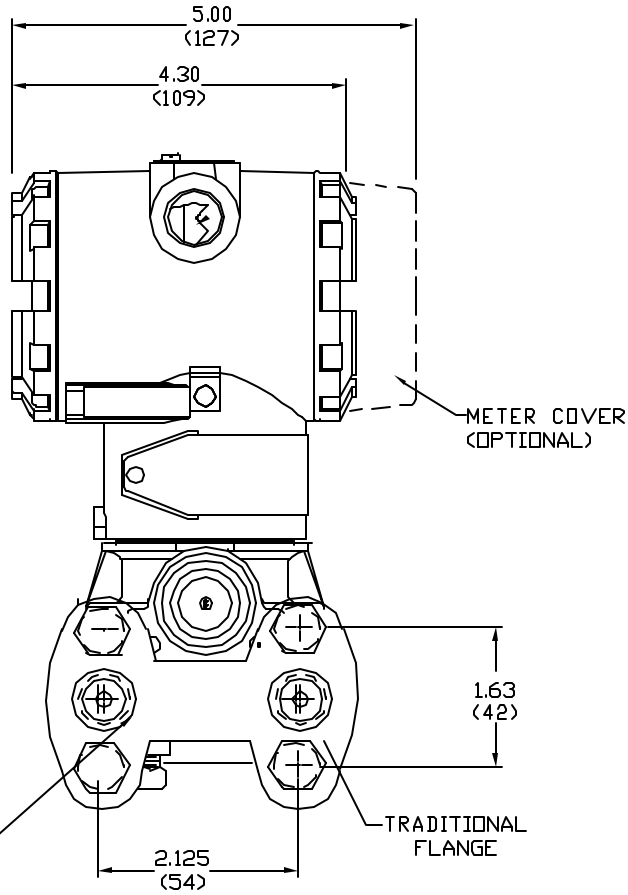
COPLANAR FLANGE PROCESS CONNECTION PER IEC 61518, 2.125(54) ± 0.012 IN CONNECTION CENTERS



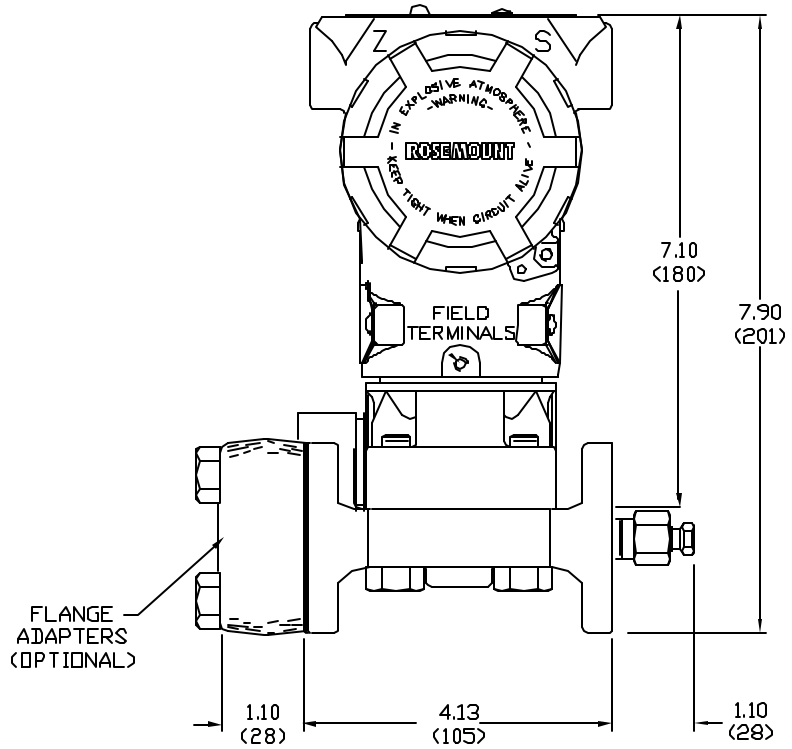
1/4-18 NPT OR 1/2-14 NPT PROCESS CONNECTION NPT WITH OPTIONAL FLANGE ADAPTERS. ADAPTERS CAN BE ROTATED TO GIVE CONNECTION CENTERS OF 2.00(51), 2.125(54), OR 2.25(57)

*UNLESS OTHERWISE SPECIFIED DIMENSIONS IN INCHES (MM)		TYPE I		ROSEMOUNT® EDEN PRAIRE, MINNESOTA	
*ALL DIMENSIONS ARE NOMINAL AND ARE FOR REFERENCE ONLY		DR. JOHN ARMSTRONG	103-95	TITLE	
		APP'D DRAWING	BRYCE HAGBOW	DIMENSIONAL DRAWING FOR MODEL 3095 PRESSURE TRANSMITTER	
		SIZE	FSCM.NO.	DRAWING NO.	
		A	04274	03095-1100	
		SCALE: NONE	WT.	SHEET 1 OF 2	

3095 TRANSMITTER- TRADITIONAL FLANGE



1/4-18 NPT PROCESS CONNECTION
OR
1/2-14 NPT WITH OPTIONAL FLANGE
ADAPTERS. ADAPTERS CAN BE ROTATED
TO GIVE CONNECTION CENTERS OF
2.00(51), 2.126(54), OR 2.25(57)



ROSEMOUNT INC.
MINNEAPOLIS, MINN.

DR
ISSUE

THIS DRAWING WAS CREATED ON CAD.
VELLUM MASTER IS NOT TO BE CHANGED.
DRAWING IS ARCHIVED ON MAGNETIC TAPE
FOR ECO CHANGES.
FILE NAME:

SIZE A	FSCM.NO. 04274	DRAWING NO. 03095-1100
SCALE:	WT.	SHEET 2 OF 2