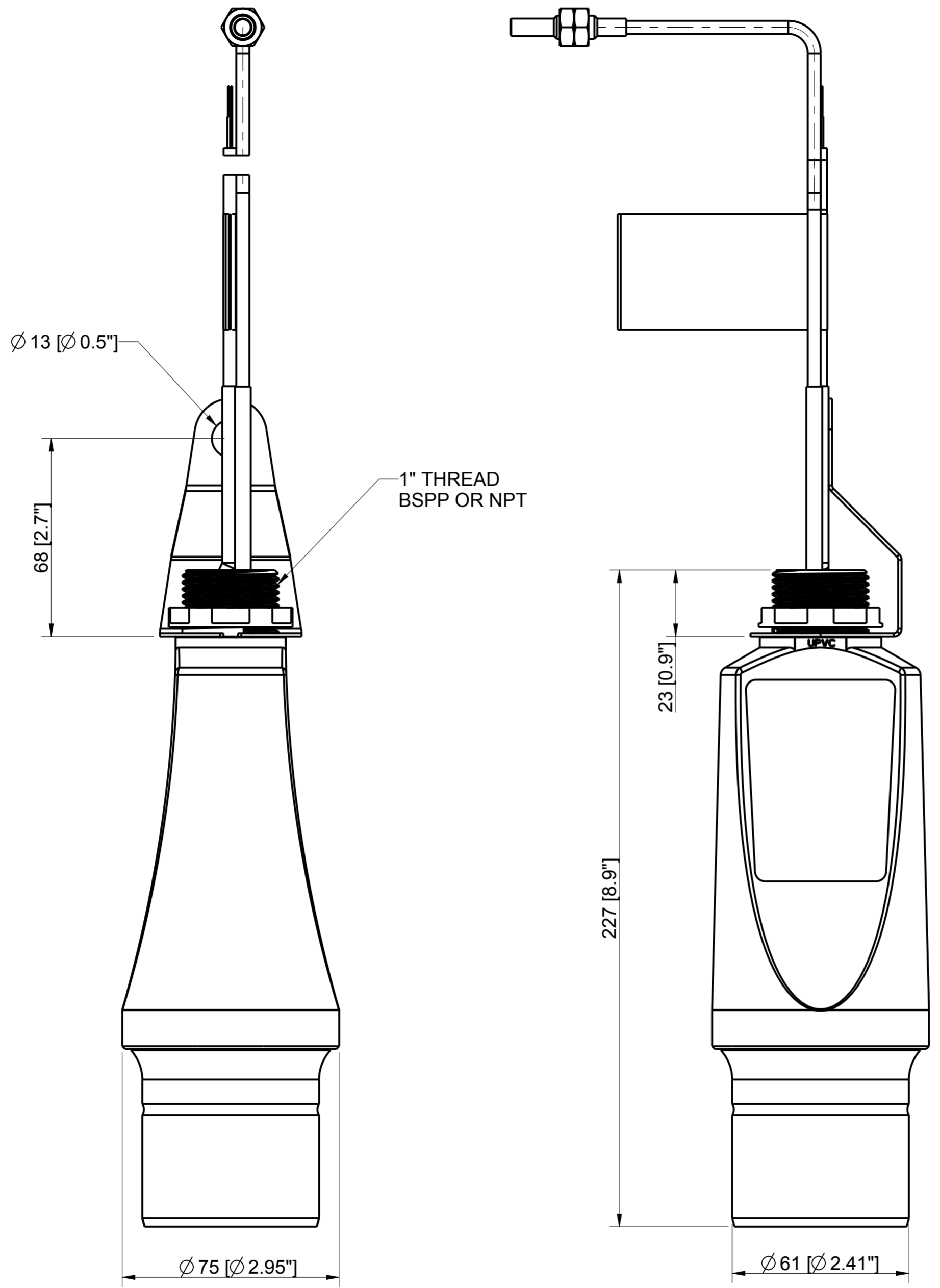


1 2 3 4 5 6 7 8 9 10 11 12

A
B
C
D
E
F
G
H

REVISION TABLE			
REVISION	DATE	ECO NO.	APP'D
AA	14/03/11	MOB-01429	
DESCRIPTION			
MOB-01429			



MATERIAL:	FINISH:	SURFACE FINISH UNLESS OTHERWISE SPECIFIED $\sqrt{}$	3RD ANGLE	SIZE A2	SCALE NTS	REV AA
	UNLESS OTHERWISE SPECIFIED DIMENSIONS IN MILLIMETERS. REMOVE ALL BURRS AND SHARP EDGES 0.25 MAX.					
© MOBREY LIMITED 2009 THE REPRODUCTION, DISTRIBUTION & UTILISATION OF THIS DOCUMENT AS WELL AS THE COMMUNICATION OF ITS CONTENTS TO OTHERS WITHOUT EXPRESS AUTHORIZATION IS PROHIBITED. OFFENDERS WILL BE HELD LIABLE FOR PAYMENT OF DAMAGES. ALL RIGHTS RESERVED IN THE EVENT OF PATENT, UTILITY MODEL OR DESIGN	TOLERANCES UNLESS SPECIFIED		TITLE DIMENSIONAL DRAWING FOR MODEL			
	WHOLE NUMBER ± 0.5 1 DECIMAL PLACE ± 0.25 2 DECIMAL PLACES ± 0.1		3108 LEVEL TRANSMITTER			
FRACTIONS ± 0.5 ANGLES $\pm 0.5^\circ$		DR. DJS	14/03/11	DRAWING NO. 03108-0010		
DO NOT SCALE PRINT		CAD MAINTAINED, (PRO/E)	PRODUCT CODE 324R	DOC TYPE D	SHEET 1 OF 1	

DRAWING NO. 03108-0010