

71,3 [2,8] 100,2 [3,9]

WHEN MOUNTING IN NON METALLIC VESSEL THE PROBE MUST BE MOUNTED WITH A METALLIC FLANGE >2"/DN50 OR THE THREADED VERSION MUST BE SCREWED IN TO A METAL SHEET >Ø200 [7.8].

AVOID DISTURBING EMC ENVIRONMENT. INSTALLATION IN METALLIC TANK IS RECOMMENDED.

INTEGRAL DISPLAY (OPTIONAL)

SEE DETAIL A

TANK FLANGE

MAX REC.  $H < (D+100) [D+4]$

ALL PTFE PROBE

RECOMMENDED  $D > 100 [4]$ .  
MIN  $D = 38 [1,5]$   
REQUIRES SPECIAL CONFIG. SETTINGS.

Ø7 [0,28]

$L > 400 [15,7]$  TO DISTURBING OBJECTS OR TO WALL IF MATERIAL CONCRETE, PLASTIC OR RUGGED METAL.

$L > 100 [3,9]$  IF SMOOTH SURFACE METAL WALL.

L

435 [17,1]

Ø22.5 [0,88]

MIN 5 [0,2]

TOTAL PROBE LENGTH

299,7 [12] 384,8 [15]

W/O HOUSING

NPT 1", s52  
NPT 1.5", s52  
NPT 2", s60

THREAD SEALING

86 [3,4] 62 [2,4] 47 [1,9]

SEMI PTFE PROBE

MIN 200 [8]

CHAMBER/PIPE THE PROBE MUST BE IN THE CENTER OF THE CHAMBER/PIPE.

MIN Ø50 [2]

GROUND CONNECTION

110 [4,3]

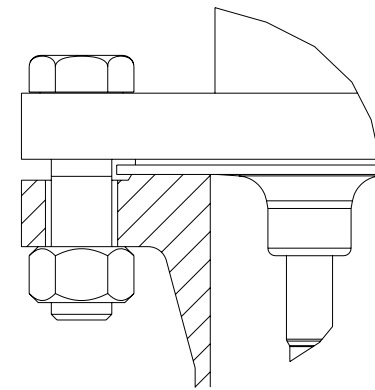
BSP-G 1", s52  
BSP-G 1.5", s60

04

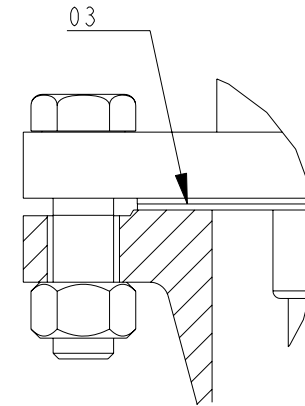
SEE DETAIL B

UPPER REF. POINT

SEMI PTFE PROBE



DETAIL A ALL PTFE



DETAIL B SEMI PTFE

1. P/T-RATING FOR FLANGE; SEE REF. MANUAL.

POS	ITEM DESCRIPTION	QTY	REMARK	SUPPLIER
04	GASKET	1	ACC. TO BSP-G THREAD STD.	CUSTOMER
03	GASKET	1	SOFT GASKET T=MIN 1.6 (ASME B16.5/1a, EN1514-1/1BC). SEE NOTE 1.	CUSTOMER
02	SCREW/NUT/WASHER	-	ACC. TO FLANGE STD, SEE NOTE 1.	CUSTOMER
01	FLANGE	1	DIM. ACC. TO ASME B16.5/EN 1092-1. OTHER ON REQUEST. P/T RATING, SEE NOTE 1.	RMT

ISSUED BY EMe-HS-C	DRAWN WEEK 1243	PRODUCT CODE 3308	<b>ROSEMOUNT®</b> GAMELESTADSVÄGEN 18 B, S-402 51 GÖTHEBURG, SWEDEN.
APPROVED BY EMe-BH	APP'D WEEK 1313	DOCUMENT TYPE 2	
ORIGINAL DRAWING NO. D7000001-395	SIZE A3	1 ST ANGLE 	SCALE 1:5
CAD MAINTAINED, (PRO/E)	DO NOT SCALE PRINT		
THE COPYRIGHT/OWNERSHIP OF THIS DOCUMENT IS AND WILL REMAIN OURS. THE DOCUMENT MUST NOT BE USED WITHOUT AUTHORIZATION OR BROUGHT TO THE KNOWLEDGE OF A THIRD PARTY. CONTRAVENTION WILL BE PROSECUTED. ROSEMOUNT TANK RADAR AB, SWEDEN.			
DRAWING NO. D7000001-395		ISSUE 01	SHEET 1/1

ENSURE THAT THE PROBE HAS NO CONTACT TO NOZZLE/TANK WALL.

FOR MORE INFO, SEE REFERENCE MANUAL

2013-05-06 Electronic Master - PRINTED COPIES ARE UNCONTROLLED - Rosemount Proprietary