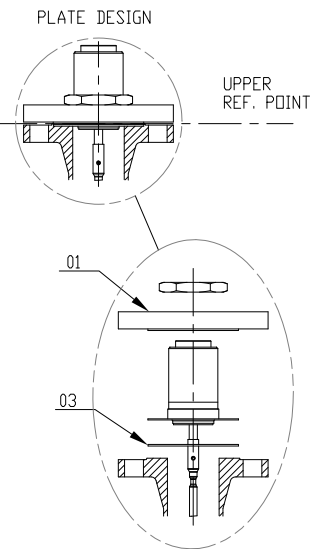
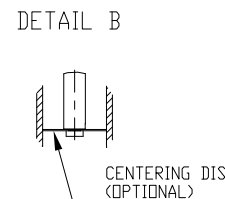
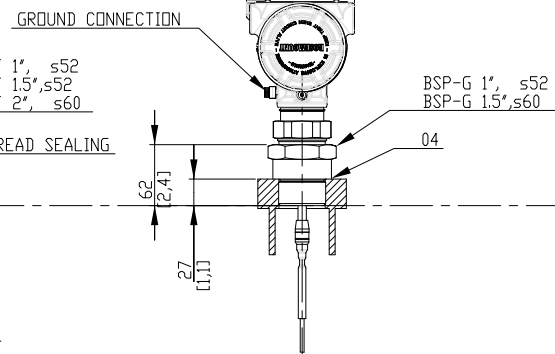
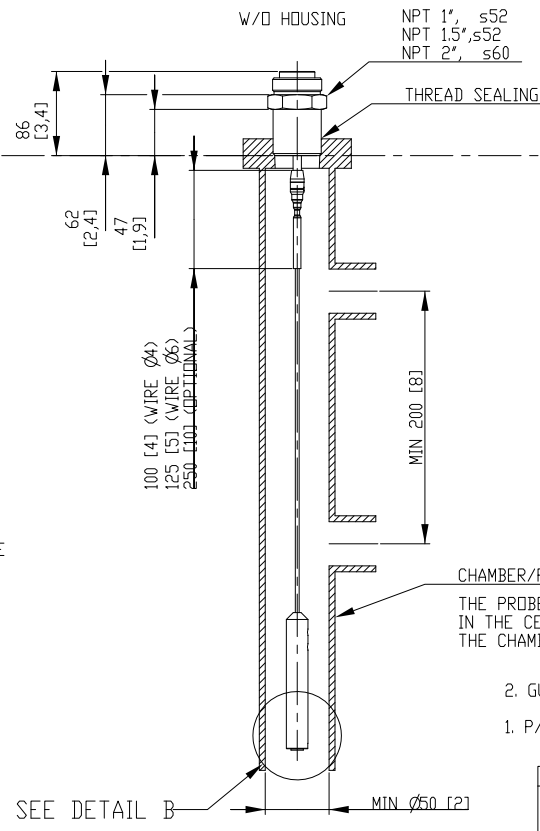
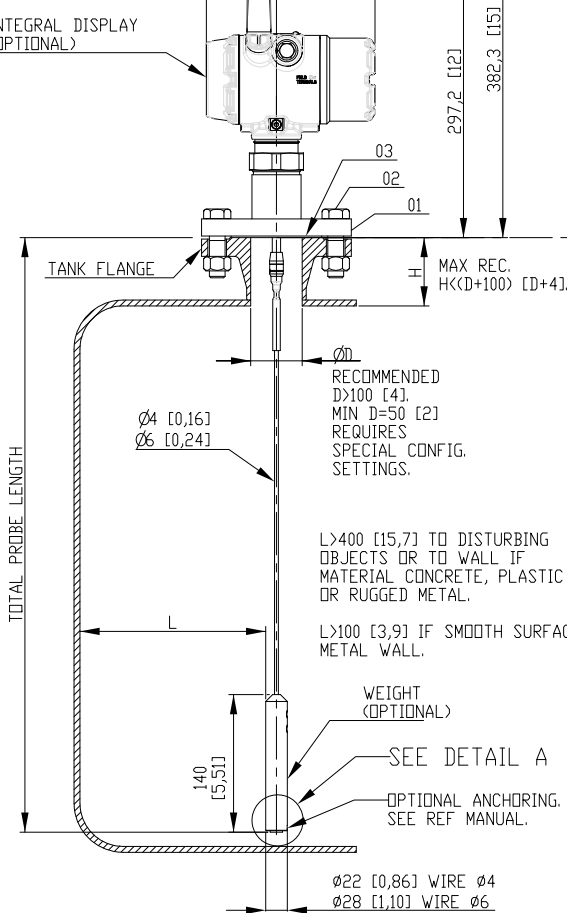


WHEN MOUNTING IN NON METALLIC VESSEL THE PROBE MUST BE MOUNTED WITH A METALLIC FLANGE >2"/DN50 OR THE THREADED VERSION MUST BE SCREWED IN TO A METAL SHEET >Ø200 [7.8].

AVOID DISTURBING EMC ENVIRONMENT. INSTALLATION IN METALLIC TANK IS RECOMMENDED.

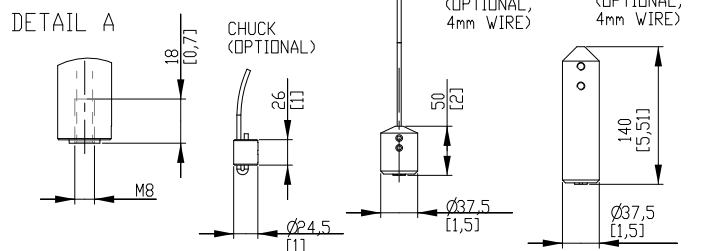


- 2. GUIDELINES AND TANK CONNECTIONS VALID FOR BOTH Ø4 AND Ø6 WIRE.
- 1. P/T-RATING FOR FLANGE; SEE REF. MANUAL.

FOR MORE INFO, SEE REFERENCE MANUAL

DEPENDING ON TURBULENCE IN TANK AND MOUNTING ANGLE THE PROBE MAY NEED TO BE ANCHORED OR SUPPORTED.

ENSURE THAT THE PROBE HAS NO CONTACT TO NOZZLE/TANK WALL.



ITEM	DESCRIPTION	QTY	REMARK	SUPPLIER
04	GASKET	1	ACC. TO BSP-G THREAD STD.	CUSTOMER
03	GASKET	1	SOFT GASKET T=MIN 1.6 (ASME B16.5/1a, EN1514-1/1BC). SEE NOTE 1.	CUSTOMER
02	SCREW/NUT/WASHER	-	ACC. TO FLANGE STD, SEE NOTE 1.	CUSTOMER
01	FLANGE	1	DIM. ACC. TO ASME B 16.5/EN 1092-1. OTHER DN REQUEST. P/T RATING, SEE NOTE 1.	RMT
	POSITION DESCRIPTION			SUPPLIER

ISSUED BY EMe-HS-C	DRAWN WEEK 1243	PRODUCT CODE 3308	ROSEMOUNT® GAMLESTADSVAGEN 18 B, S-402 51 GÖTENBURG, SWEDEN.
APPROVED BY EMe-BH	APP'D WEEK 1313	DOCUMENT TYPE 2	
ORIGINAL DRAWING NO. D7000001-390	SIZE A3	1 ST ANGLE	SCALE 1:5
CAD MAINTAINED, (PRO/E)		DO NOT SCALE PRINT	
THE COPYRIGHT/OWNERSHIP OF THIS DOCUMENT IS AND WILL REMAIN OURS. THE DOCUMENT MUST NOT BE USED WITHOUT AUTHORIZATION OR BROUGHT TO THE KNOWLEDGE OF A THIRD PARTY. CONTRAVENTION WILL BE PROSECUTED. ROSEMOUNT TANK RADAR AB, SWEDEN.			
DRAWING NO. D7000001-390			ISSUE SHEET 01 1/1