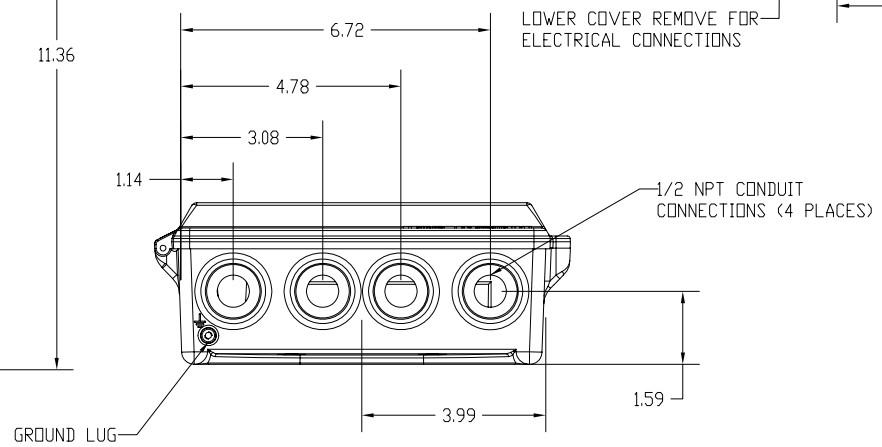
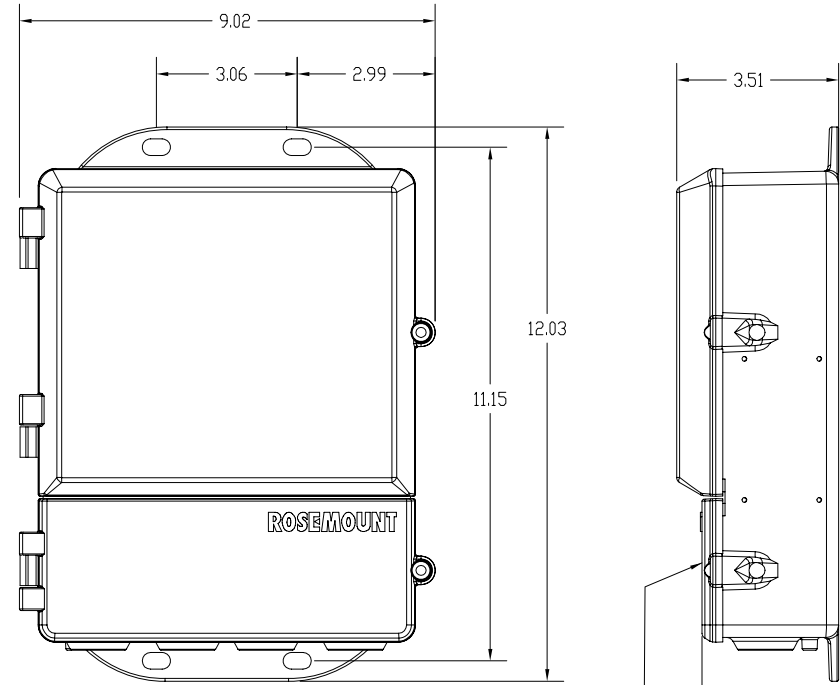
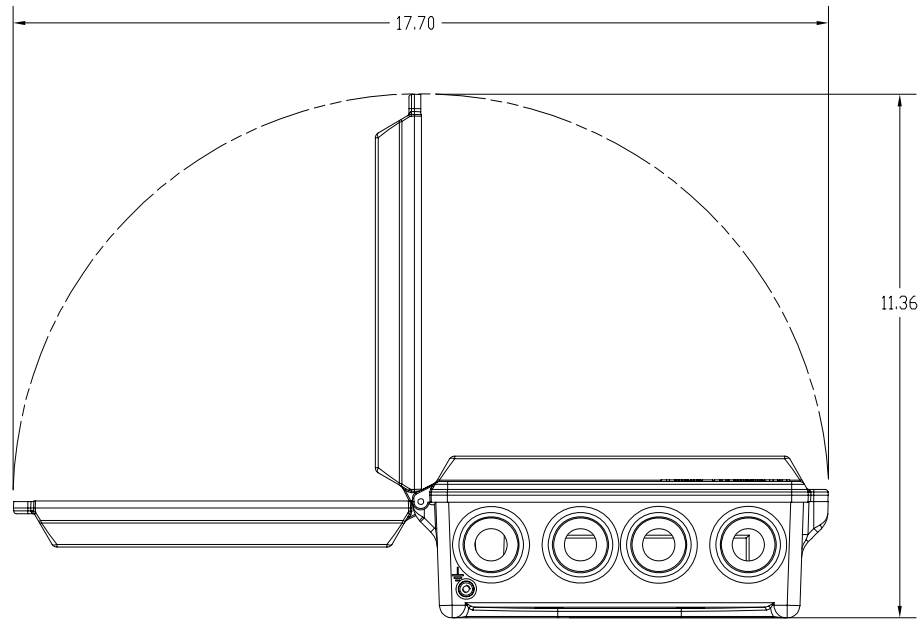


Product Discontinued

| REVISIONS | | | | |
|-----------|-----------------------------------|------------|-------|----------|
| REV | DESCRIPTION | ECD NO. | APP'D | DATE |
| AC | NEW HOUSING, REPLACE PRODE FORMAT | RTC1021193 | J.B. | 2/2/2006 |



NOTES:

1. PLUG ALL CONDUIT CONNECTIONS.
2. WEIGHT: 4.05 KG

UNLESS OTHERWISE SPECIFIED
 DIMENSIONS IN INCHES (mm)
 REMOVE ALL BURRS AND
 SHARP EDGES. MACHINE
 SURFACE FINISH: 125
 TOLERANCES:
 X ± 0
 XX ± 0
 XXX ± 0
 FRACTIONS ANGLES
 ± °
 DO NOT SCALE PRINT

| | | | |
|--|---------------------|--------------|------------|
| | | | |
| TITLE: OUTLINE INSTALLATION DRAWING FOR MODEL 3420 FIM | | | |
| DR. | H. NGUYEN 1/18/06 | SIZE | C |
| APP'D | J. BREWER 1/31/2006 | DRAWING NO. | 03420-1002 |
| CAD MAINTAINED (PRO/E) | | REV | AC |
| | | SHEET 1 OF 1 | |